

NCM DISTRIBUTORS LTD (HEAD OFFICE):

UNIT 5  
PLANET CENTRE  
ARMADALE ROAD  
FELTHAM  
TW14 0LW

T: 0203 269 2072 E: sales@ncmdistributors.com

NCM NORTH LTD  
UNIT 6  
CORINIUM LINK 62  
PREMIER WAY NORTH  
NORMANTON  
WF6 1GY

T: 01924 973 316 E: sales@ncmdistributors.com



NATIONAL CABLE MANAGEMENT DISTRIBUTORS LTD

FOR ALL YOUR CABLE MANAGEMENT NEEDS

EXPERT ADVICE

FRIENDLY SERVICE

NEXT DAY DELIVERY

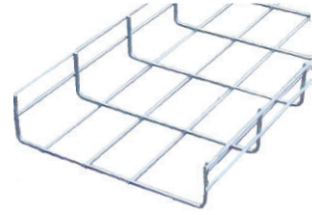
[www.ncmdistributors.com](http://www.ncmdistributors.com)

[sales@ncmdistributors.com](mailto:sales@ncmdistributors.com)

[www.ncmdistributors.com](http://www.ncmdistributors.com)

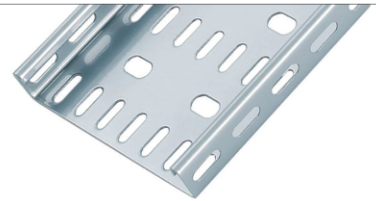
### Wire Cable Tray

Ideal for a variety of applications, especially for light duty cabling needs, our wire baskets feature a large amount of accessories to suit the needs of most applications



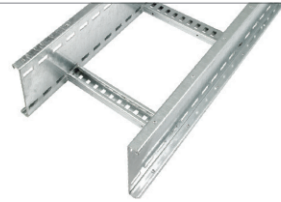
### Cable Trays

Available in both UK and European standard patterns, our cable trays come in a wide range of sizes and finishes, including a "Quick Splice" fast assembly variant for both installation efficiency and maximum application versatility.



### Cable Ladders

Unistrut cable ladders are the ideal solution when installing large power cables that need to be supported safely. Available in light, medium and heavy duty patterns to suit your application.



### Cable Trunking

The Unistrut Trunking system is designed to be quick and simple to assemble, providing real time saving as well as remaining a reliable product throughout its natural life cycle. Preassembled Internal Trunking Connectors allow you to securely connect trunking lengths in seconds, giving a neat external finish.



### Metal Framing

The original Unistrut metal framing offers unrivalled quality and durability and is designed to work with the full range of new Unistrut parts and accessories. Designed and created by us, our metal framing underlines our commitment to produce products you'll be proud to install.



## Sector focus



Oil and gas



Rail



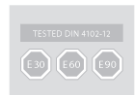
Petrochemical



Aviation



Datacentres



Specific certification to customer application carried out

For additional information visit  
[www.unistrut.com](http://www.unistrut.com) or call 0121 580 6300

## TABLE OF CONTENTS

### Unistrut

Cable Tray.....	4
Metal Framing.....	33
Cable Ladder.....	78
Pipe Clips.....	110
Steel Cable Trunking.....	126

### Marco

uPVC Trunking Systems.....	177
Aluminium Solutions.....	213
Steel Wire Cable Tray.....	226



# Cable Tray

The complete range of cable tray  
from Unistrut

## CABLE TRAY CONTENTS

Available in US, UK and European standard patterns, our Cable Trays come in a wide range of sizes and finishes, including a self-splicing fast assembly variant for both installation efficiency and maximum application versatility.

Unistrut's cable trays are also available in Extra Heavy Duty options, for applications where additional strength is required.

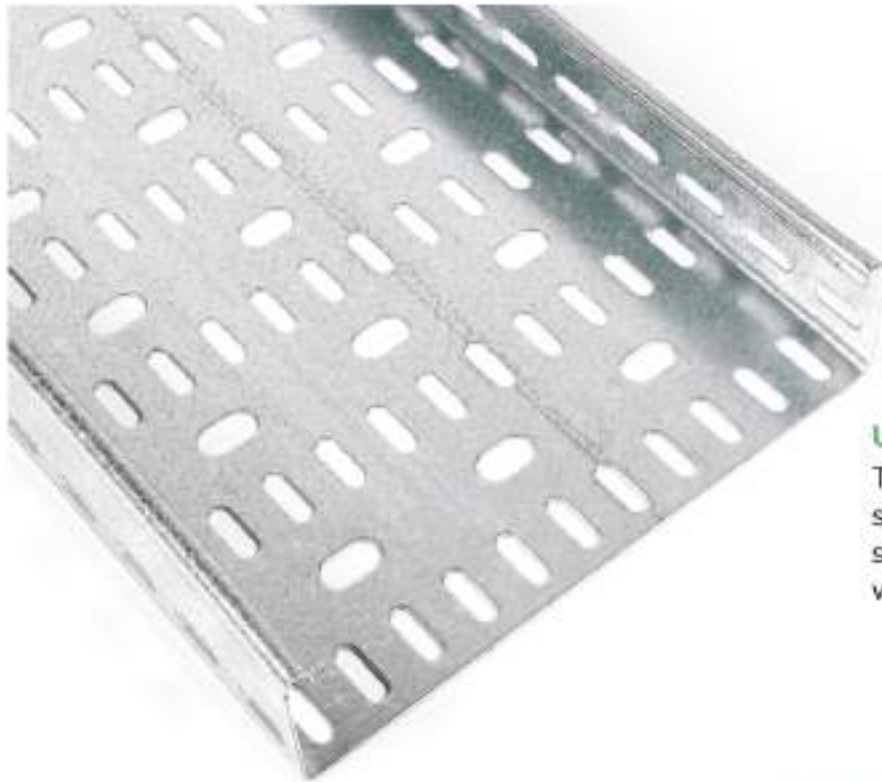
A broad variety of fits, finishes and shapes ensure we have the widest range of cable tray systems in the industry!

### Sectors:

- Commercial buildings, including office blocks, shopping centres and super markets
- Hospitals, Data centres, correction facilities
- Infrastructure applications such as Airports, road and rail tunnels.
- Automotive industry
- Petrochemical, Food and Beverage and general industrial applications

Contents	Page Number
About Unistrut Cable Tray Systems	Page 6
Standard Range	Page 8
Fittings	Page 12
Accessories	Page 18
Technical Information	Page 23

## THE CABLE TRAY RANGE



### Unistrut slot Pattern

Traditional Unistrut standard design in use since 1965, synonymous with strength and quality.

The complete range of Unistrut cable Tray for use in **Light, Medium, Heavy & Extra Heavy** duty applications. Available in a variety of sizes the Unistrut system provides the ultimate in flexibility, quality and speed in cable management.

Ideal for all your cable applications from low power control & signalling to mains power supply cabling. With a complete range of fixings and accessories including bends and risers.

### Light Duty

Available in 3m lengths with depths of 12mm (50mm wide to 225mm wide) and 18mm (300mm to 900mm wide), in [PG] Pre-galvanised, [HG] hot-dip galvanised and [SS] stainless steel finishes

### Heavy Duty

Available in 3m lengths with a depth of 50mm and widths from 75 to 900mm, in [PG] Pre-Galvanised, [HG] Hot-Dip Galvanised and [SS] stainless steel.

### Medium Duty

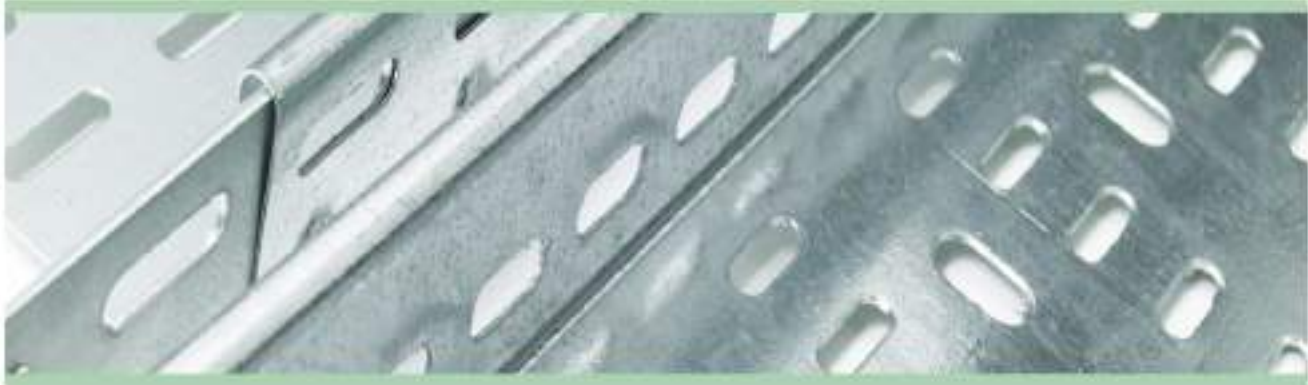
Available in 3m lengths with a depth of 25mm and widths from 50 to 900mm, in [PG] Pre-Galvanised, [HG] hot-Dip Galvanised and [SS] Stainless steel finishes.

### Extra Heavy Duty\*

Available in 3m lengths with a depth of 50mm and in 75 & 100mm widths. Finish applications include [PG] Pre-Galvanised, [HG] Hot-Dip Galvanised and [SS] stainless Steel.

\*Details on Extra Heavy Duty tray available on request

## UNISTRUT CABLE TRAY



### Cable Tray Features:

- UK traditional Slot pattern
- All material is European standard graded
- Widths : 50, 75, 100, 150, 225, 300, 450, 600, 750 and 900mm
- Compatible with Unistrut Fittings only
- Stock held in the UK
- Available in multiple finishes for a wide range of jobs, including Galvanised and Stainless Steel.
- An extensive range of dedicated accessories, bracketry and support systems.

### Standard Material & Finish Codes

Pre-Galvanised	PG
Hot Dipped Galvanised	HDG
Stainless Steel	SS

Other materials and finishes available upon request.

Materials standards and details can be found on page 23

### Material Standards

PG	Pre-Galvanised Steel to BS EN 10346 DX51D Z275-N-A-
HDG	Mild Steel to BS EN 10111- DD11 or BS EN 10139 - DC01
DH	BS EN 10025 S275JO+AR+CL1 or equivalent/better - 2mm thick min. material.
SS	Stainless Steel - Hot Rolled to B.S.EN10088-2-1.4404-1D

### Icon Key - Feature



Including Fitments



Sold as Pair



Sold as Individual

### Unistrut Light Duty Cable Tray

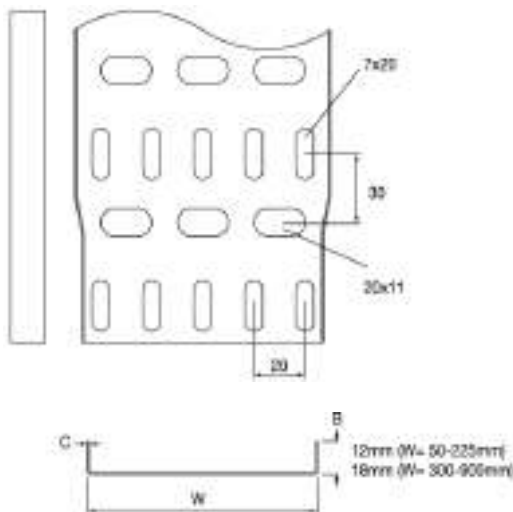
Cable Tray



Light weight for easy installation and complete with wide range of accessories and fixings to suit.

Available in 3m lengths with widths from 50 to 900mm.

Straights come with a single tapered end to aid in quickly slotting together multiple lengths.



Sold as individual

Size	PG	HG	SS	W	B	C	Weight
				mm	mm	mm	kg
50mm x 3m	TULL050/10PG	TULL050/10HG	TULL050/10SS	50	12	0.80	1.23
75mm x 3m	TULL075/10PG	TULL075/10HG	TULL075/10SS	75	12	0.80	1.68
100mm x 3m	TULL100/10PG	TULL100/10HG	TULL100/10SS	100	12	0.80	2.13
150mm x 3m	TULL150/10PG	TULL150/10HG	TULL150/10SS	150	12	0.80	2.86
225mm x 3m	TULL225/10PG	TULL225/10HG	TULL225/10SS	225	12	0.80	3.92
300mm x 3m	TULL300/15PG	TULL300/15HG	TULL300/15SS	300	18	1.20	7.98
450mm x 3m	TULL450/15PG	TULL450/15HG	TULL450/15SS	450	18	1.20	18.25
600mm x 3m	TULL600/20PG	TULL600/20HG	TULL600/20SS	600	18	1.20	30.37
750mm x 3m	TULL750/20PG	TULL750/20HG	TULL750/20SS	750	18	2.00	39.45
900mm x 3m	TULL900/20PG	TULL900/20HG	TULL900/20SS	900	18	2.00	47.01



## Medium Duty

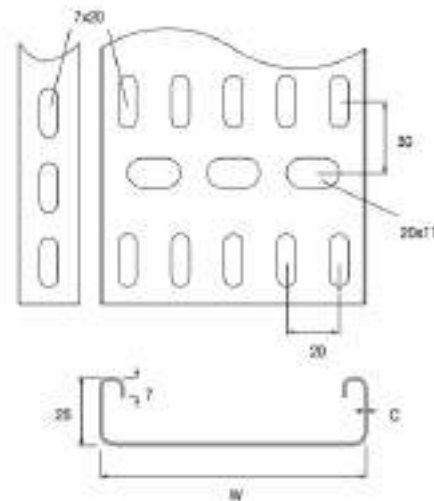
### Unistrut Medium Duty Cable Tray

Medium duty multi-purpose steel cable tray, robust enough to meet a wide variety of applications but light enough to handle and install with ease and complete with wide range of accessories and fixings to suit.

Available in 3m lengths with widths from 50 to 900mm.



Sold as Individual



Size (W)	Part No.			W	C	Weight
	PG	HG	SS	mm	mm	kg
50mm x 3m	TUMLT050/10PG	TUMLT050/10HG	TUMLT050/10SS	50	0.80	2.02
75mm x 3m	TUMLT075/10PG	TUMLT075/10HG	TUMLT075/10SS	75	0.80	2.48
100mm x 3m	TUMLT100/10PG	TUMLT100/10HG	TUMLT100/10SS	100	0.80	2.93
150mm x 3m	TUMLT150/10PG	TUMLT150/10HG	TUMLT150/10SS	150	0.80	3.72
225mm x 3m	TUMLT225/10PG	TUMLT225/10HG	TUMLT225/10SS	225	0.80	4.97
300mm x 3m	TUMLT300/15PG	TUMLT300/15HG	TUMLT300/15SS	300	1.20	9.13
450mm x 3m	TUMLT450/15PG	TUMLT450/15HG	TUMLT450/15SS	450	1.20	12.82
600mm x 3m	TUMLT600/15PG	TUMLT600/15HG	TUMLT600/15SS	600	1.20	16.5
750mm x 3m	TUMLT750/20PG	TUMLT750/20HG	TUMLT750/20SS	750	2.00	40.75
900mm x 3m	TUMLT900/20PG	TUMLT900/20HG	TUMLT900/20SS	900	2.00	48.13

Unistrut Heavy Duty Cable Tray

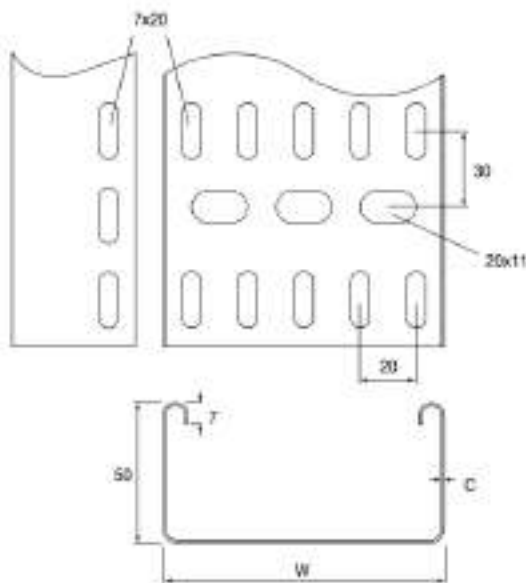
Cable Tray



Heavy duty steel cable tray, designed to meet heavy cable load needs and complete with wide range of accessories and fixings to suit.

Available in 3m lengths with widths from 75 to 900mm.

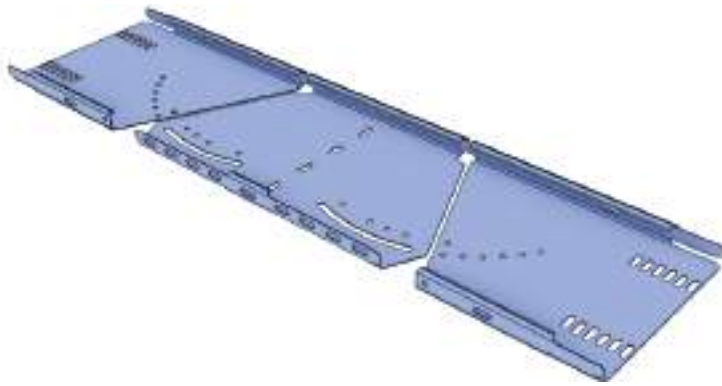
Extra Heavy Duty tray is also available in 75 & 100mm sizes.



Size (W)	Part No.			W	C	Weight
	PG	HG	SS	mm	mm	kg
50mm x 3m	TUHLT050/10PG	TUHLT050/10HG	TUHLT050/10SS	50	0.80	3.16
75mm x 3m	TUHLT075/10PG	TUHLT075/10HG	TUHLT075/10SS	75	0.80	3.46
100mm x 3m	TUHLT100/10PG	TUHLT100/10HG	TUHLT100/10SS	100	0.80	3.92
150mm x 3m	TUHLT150/10PG	TUHLT150/10HG	TUHLT150/10SS	150	0.80	4.71
225mm x 3m	TUHLT225/15PG	TUHLT225/15HG	TUHLT225/15SS	225	1.20	8.72
300mm x 3m	TUHLT300/15PG	TUHLT300/15HG	TUHLT300/15SS	300	1.20	10.59
450mm x 3m	TUHLT450/20PG	TUHLT450/20HG	TUHLT450/20SS	450	2.00	23.28
600mm x 3m	TUHLT600/20PG	TUHLT600/20HG	TUHLT600/20SS	600	2.00	29.35
750mm x 3m	TUHLT750/20PG	TUHLT750/20HG	TUHLT750/20SS	750	2.00	45.3
900mm x 3m	TUHLT900/20PG	TUHLT900/20HG	TUHLT900/20SS	900	2.00	52.85

100mm Extra Heavy Duty Tray also available. Contact our team for more information.

## Adjustable Bends



Size (W) mm	Part Number PG	Part Number HD	Description	Weight kg
75	TUMAB075PG		ADJ BEND 075MM MD TRAY	0.414
100	TUMAB100PG		ADJ BEND 100MM MD TRAY	0.575
150	TUMAB150PG	TUMAB150HG	ADJ BEND 150MM MD TRAY	0.973
225	TUMAB225PG		ADJ BEND 225MM MD TRAY	1.729
300	TUMAB300PG	TUMAB300HG	ADJ BEND 300MM MD TRAY	2.686
450	TUMAB450PG		ADJ BEND 450MM MD TRAY	6.966
600	TUMAB600PG		ADJ BEND 600MM MD TRAY (FULL)	14.335
	TUMAB600PG-1		ADJ BEND 600MM MD TRAY LHS	
	TUMAB600PG-2		ADJ BEND 600MM MD TRAY CTR	
	TUMAB600PG-3		ADJ BEND 600MM MD TRAY RHS	

**Unistrut Flat Bends**

Light Duty Flat Bend 45 °

Size (W)	Part No.			Weight kg
	PG	HG	SS	
50mm	TULB050/45PG	TULB050/45HG	TULB050/45SS	0.07
75mm	TULB075/45PG	TULB075/45HG	TULB075/45SS	0.12
100mm	TULB100/45PG	TULB100/45HG	TULB100/45SS	0.19
150mm	TULB150/45PG	TULB150/45HG	TULB150/45SS	0.33
225mm	TULB225/45PG	TULB225/45HG	TULB225/45SS	0.58
300mm	TULB300/45PG	TULB300/45HG	TULB300/45SS	1.34
450mm	TULB450/45PG	TULB450/45HG	TULB450/45SS	3.07
600mm	TULB600/45PG	TULB600/45HG	TULB600/45SS	5.13
750mm	TULB750/45PG	TULB750/45HG	TULB750/45SS	7.7
900mm	TULB900/45PG	TULB900/45HG	TULB900/45SS	10.79



Product image may vary dependant on duty of fitting, finish and size.

Medium Duty Flat Bend 45 °

Size (W)	Part No.			Weight kg
	PG	HG	SS	
50mm	TUMB050/45PG	TUMB050/45HG	TUMB050/45SS	0.13
75mm	TUMB075/45PG	TUMB075/45HG	TUMB075/45SS	0.17
100mm	TUMB100/45PG	TUMB100/45HG	TUMB100/45SS	0.22
150mm	TUMB150/45PG	TUMB150/45HG	TUMB150/45SS	0.34
225mm	TUMB225/45PG	TUMB225/45HG	TUMB225/45SS	0.55
300mm	TUMB300/45PG	TUMB300/45HG	TUMB300/45SS	1.16
450mm	TUMB450/45PG	TUMB450/45HG	TUMB450/45SS	2.00
600mm	TUMB600/45PG	TUMB600/45HG	TUMB600/45SS	3.01
750mm	TUMB750/45PG	TUMB750/45HG	TUMB750/45SS	6.60
900mm	TUMB900/45PG	TUMB900/45HG	TUMB900/45SS	8.75



Heavy Duty Flat Bend 45 °

Size (W)	Part No.			Weight kg
	PG	HG	SS	
75mm	TUHB075/45PG	TUHB075/45HG	TUHB075/45SS	0.24
100mm	TUHB100/45PG	TUHB100/45HG	TUHB100/45SS	0.30
150mm	TUHB150/45PG	TUHB150/45HG	TUHB150/45SS	0.43
225mm	TUHB225/45PG	TUHB225/45HG	TUHB225/45SS	0.64
300mm	TUHB300/45PG	TUHB300/45HG	TUHB300/45SS	1.32
450mm	TUHB450/45PG	TUHB450/45HG	TUHB450/45SS	2.18
600mm	TUHB600/45PG	TUHB600/45HG	TUHB600/45SS	3.22
750mm	TUHB750/45PG	TUHB750/45HG	TUHB750/45SS	7.22
900mm	TUHB900/45PG	TUHB900/45HG	TUHB900/45SS	9.65
900mm	TUMB900/45PG	TUMB900/45HG	TUMB900/45SS	8.75

# Flat Bends - 90 °

## Unistrut Flat Bends

### Light Duty Flat Bend 90 °



Product image may vary dependent on duty of fitting, finish and size.



Sold as individual

Size (W)	Part No.			Weight kg
	PG	HG	SS	
50mm	TULB050/90PG	TULB050/90HG	TULB050/90SS	0.07
75mm	TULB075/90PG	TULB075/90HG	TULB075/90SS	0.12
100mm	TULB100/90PG	TULB100/90HG	TULB100/90SS	0.19
150mm	TULB150/90PG	TULB150/90HG	TULB150/90SS	0.33
225mm	TULB225/90PG	TULB225/90HG	TULB225/90SS	0.59
300mm	TULB300/90PG	TULB300/90HG	TULB300/90SS	1.34
450mm	TULB450/90PG	TULB450/90HG	TULB450/90SS	3.07
600mm	TULB600/90PG	TULB600/90HG	TULB600/90SS	5.13
750mm	TULB750/90PG	TULB750/90HG	TULB750/90SS	7.7
900mm	TULB900/90PG	TULB900/90HG	TULB900/90SS	10.79

### Medium Duty Flat Bend 90 °

Size (W)	Part No.			Weight kg
	PG	HG	SS	
50mm	TUMB050/90PG	TUMB050/90HG	TUMB050/90SS	0.41
75mm	TUMB075/90PG	TUMB075/90HG	TUMB075/90SS	0.51
100mm	TUMB100/90PG	TUMB100/90HG	TUMB100/90SS	0.63
150mm	TUMB150/90PG	TUMB150/90HG	TUMB150/90SS	0.92
225mm	TUMB225/90PG	TUMB225/90HG	TUMB225/90SS	1.38
300mm	TUMB300/90PG	TUMB300/90HG	TUMB300/90SS	2.02
450mm	TUMB450/90PG	TUMB450/90HG	TUMB450/90SS	3.35
600mm	TUMB600/90PG	TUMB600/90HG	TUMB600/90SS	4.93
750mm	TUMB750/90PG	TUMB750/90HG	TUMB750/90SS	12.20
900mm	TUMB900/90PG	TUMB900/90HG	TUMB900/90SS	18.69

### Heavy Duty Flat Bend 90 °

Size (W)	Part No.			Weight kg
	PG	HG	SS	
75mm	TUHB075/90PG	TUHB075/90HG	TUHB075/90SS	0.39
100mm	TUHB100/90PG	TUHB100/90HG	TUHB100/90SS	0.48
150mm	TUHB150/90PG	TUHB150/90HG	TUHB150/90SS	0.68
225mm	TUHB225/90PG	TUHB225/90HG	TUHB225/90SS	1.5
300mm	TUHB300/90PG	TUHB300/90HG	TUHB300/90SS	2.09
450mm	TUHB450/90PG	TUHB450/90HG	TUHB450/90SS	3.53
600mm	TUHB600/90PG	TUHB600/90HG	TUHB600/90SS	5.31
750mm	TUHB750/90PG	TUHB750/90HG	TUHB750/90SS	11.1
900mm	TUHB900/90PG	TUHB900/90HG	TUHB900/90SS	14.69
900mm	TUMB900/45PG	TUMB900/45HG	TUMB900/45SS	8.75

Unistrut Equal Cross

Light Duty Equal Cross

Size (W)	Part No.			Weight kg
	PG	HG	SS	
50mm	TULX050PG	TULX050HG	TULX050SS	0.17
75mm	TULX075PG	TULX075HG	TULX075SS	0.26
100mm	TULX100PG	TULX100HG	TULX100SS	0.36
150mm	TULX150PG	TULX150HG	TULX150SS	0.62
225mm	TULX225PG	TULX225HG	TULX225SS	1.05
300mm	TULX300PG	TULX300HG	TULX300SS	2.23
450mm	TULX450PG	TULX450HG	TULX450SS	4.16
600mm	TULX600PG	TULX600HG	TULX600SS	6.75
750mm	TULX750PG	TULX750HG	TULX750SS	9.95
900mm	TULX900PG	TULX900HG	TULX900SS	13.77



Unequal Crosses are available upon request

Product image may vary dependant on duty of fitting, finish and size.

Medium Duty Equal Cross

Size (W)	Part No.			Weight kg
	PG	HG	SS	
50mm	TUMX050PG	TUMX050HG	TUMX050SS	0.64
75mm	TUMX075PG	TUMX075HG	TUMX075SS	0.68
100mm	TUMX100PG	TUMX100HG	TUMX100SS	0.81
150mm	TUMX150PG	TUMX150HG	TUMX150SS	1.15
225mm	TUMX225PG	TUMX225HG	TUMX225SS	1.70
300mm	TUMX300PG	TUMX300HG	TUMX300SS	3.28
450mm	TUMX450PG	TUMX450HG	TUMX450SS	5.47
600mm	TUMX600PG	TUMX600HG	TUMX600SS	8.14
750mm	TUMX750PG	TUMX750HG	TUMX750SS	13.38
900mm	TUMX900PG	TUMX900HG	TUMX900SS	17.45



Sold as Individual

Heavy Duty Equal Cross

Size (W)	Part No.			Weight kg
	PG	HG	SS	
75mm	TUHX075PG	TUHX075HG	TUHX075SS	0.83
100mm	TUHX100PG	TUHX100HG	TUHX100SS	0.96
150mm	TUHX150PG	TUHX150HG	TUHX150SS	1.30
225mm	TUHX225PG	TUHX225HG	TUHX225SS	2.01
300mm	TUHX300PG	TUHX300HG	TUHX300SS	3.45
450mm	TUHX450PG	TUHX450HG	TUHX450SS	5.64
600mm	TUHX600PG	TUHX600HG	TUHX600SS	8.31
750mm	TUHX750PG	TUHX750HG	TUHX750SS	13.65
900mm	TUHX900PG	TUHX900HG	TUHX900SS	17.64

# Equal Tee

## Unistrut Equal Tees



Unequal Crosses are available upon request

Product image may vary dependant on duty of fitting, finish and size.

### Light Duty Equal Tee

Size (W)	Part No.			Weight kg
	PG	HG	SS	
50mm	TULT050PG	TULT050HG	TULT050SS	0.12
75mm	TULT075PG	TULT075HG	TULT075SS	0.2
100mm	TULT100PG	TULT100HG	TULT100SS	0.29
150mm	TULT150PG	TULT150HG	TULT150SS	0.49
225mm	TULT225PG	TULT225HG	TULT225SS	0.87
300mm	TULT300PG	TULT300HG	TULT300SS	1.94
450mm	TULT450PG	TULT450HG	TULT450SS	3.91
600mm	TULT600PG	TULT600HG	TULT600SS	6.42
750mm	TULT750PG	TULT750HG	TULT750SS	9.56
900mm	TULT900PG	TULT900HG	TULT900SS	13.31

### Medium Duty Equal Tee

Size (W)	Part No.			Weight kg
	PG	HG	SS	
50mm	TUMT050PG	TUMT050HG	TUMT050SS	0.41
75mm	TUMT075PG	TUMT075HG	TUMT075SS	0.51
100mm	TUMT100PG	TUMT100HG	TUMT100SS	0.63
150mm	TUMT150PG	TUMT150HG	TUMT150SS	0.92
225mm	TUMT225PG	TUMT225HG	TUMT225SS	1.38
300mm	TUMT300PG	TUMT300HG	TUMT300SS	2.02
450mm	TUMT450PG	TUMT450HG	TUMT450SS	3.35
600mm	TUMT600PG	TUMT600HG	TUMT600SS	4.93
750mm	TUMT750PG	TUMT750HG	TUMT750SS	12.20
900mm	TUMT900PG	TUMT900HG	TUMT900SS	18.65



### Heavy Duty Equal Tee

Size (W)	Part No.			Weight kg
	PG	HG	SS	
75mm	TUHT075PG	TUHT075HG	TUHT075SS	0.83
100mm	TUHT100PG	TUHT100HG	TUHT100SS	0.96
150mm	TUHT150PG	TUHT150HG	TUHT150SS	1.30
225mm	TUHT225PG	TUHT225HG	TUHT225SS	2.01
300mm	TUHT300PG	TUHT300HG	TUHT300SS	3.45
450mm	TUHT450PG	TUHT450HG	TUHT450SS	5.64
600mm	TUHT600PG	TUHT600HG	TUHT600SS	8.31
750mm	TUHT750PG	TUHT750HG	TUHT750SS	13.65
900mm	TUHT900PG	TUHT900HG	TUHT900SS	17.64

## Adjustable Risers

### Unistrut Risers

Product image may vary dependant on duty of fitting, finish and size.



Sold as individual

Cable Tray

### Adjustable Risers (Light & Medium)

Size (W)	Part No.			Weight kg
	PG	HG	SS	
50mm	TUMAR050PG	TUMAR050HG	TUMAR050SS	0.16
75mm	TUMAR075PG	TUMAR075HG	TUMAR075SS	0.24
100mm	TUMAR100PG	TUMAR100HG	TUMAR100SS	0.31
150mm	TUMAR150PG	TUMAR150HG	TUMAR150SS	0.43
225mm	TUMAR225PG	TUMAR225HG	TUMAR225SS	0.63
300mm	TUMAR300PG	TUMAR300HG	TUMAR300SS	0.81
450mm	TUMAR450PG	TUMAR450HG	TUMAR450SS	1.20
600mm	TUMAR600PG	TUMAR600HG	TUMAR600SS	2.47
750mm	TUMAR750PG	TUMAR750HG	TUMAR750SS	3.19
900mm	TUMAR900PG	TUMAR900HG	TUMAR900SS	4.01

Compatible with both Light and Medium cable trays

### Adjustable Risers (Heavy)

Size (W)	Part No.			Weight kg
	PG	HG	SS	
75mm	TUHAR075PG	TUHAR075HG	TUHAR075SS	0.34
100mm	TUHAR100PG	TUHAR100HG	TUHAR100SS	0.40
150mm	TUHAR150PG	TUHAR150HG	TUHAR150SS	0.53
225mm	TUHAR225PG	TUHAR225HG	TUHAR225SS	0.72
300mm	TUHAR300PG	TUHAR300HG	TUHAR300SS	0.90
450mm	TUHAR450PG	TUHAR450HG	TUHAR450SS	1.29
600mm	TUHAR600PG	TUHAR600HG	TUHAR600SS	1.66
750mm	TUHAR750PG	TUHAR750HG	TUHAR750SS	3.34
900mm	TUHAR900PG	TUHAR900HG	TUHAR900SS	4.16



# Reducers



Product image may vary dependant on duty of fitting, finish and size.



Sold as individual

Cable Tray

## Light Cable Tray Reducer

Width	50mm	75mm	100mm	150mm	225mm	300mm	400mm	600mm	750mm	900mm
50mm		TULSR075V050	TULSR090V050	TULSR150V050						
75mm	TULSR075V075		TULSR100V075	TULSR150V075	TULSR225V075					
100mm	TULSR100V100	TULSR150V100		TULSR150V100	TULSR225V100	TULSR300V100	TULSR450V100			
150mm	TULSR150V150	TULSR150V150	TULSR150V150		TULSR225V150	TULSR300V150	TULSR450V150	TULSR600V150		
225mm		TULSR225V225	TULSR225V225	TULSR225V225		TULSR300V225	TULSR450V225	TULSR600V225	TULSR750V225	
300mm			TULSR300V300	TULSR300V300	TULSR300V300		TULSR450V300	TULSR600V300	TULSR750V300	TULSR900V300
400mm			TULSR450V400	TULSR450V400	TULSR450V400	TULSR450V400		TULSR600V400	TULSR750V400	TULSR900V400
600mm				TULSR600V600	TULSR600V600	TULSR600V600	TULSR600V600		TULSR750V600	TULSR900V600
750mm					TULSR750V750	TULSR750V750	TULSR750V750	TULSR750V750		TULSR900V750
900mm						TULSR900V900	TULSR900V900	TULSR900V900	TULSR900V900	

## Medium Cable Tray Reducer

Width	50mm	75mm	100mm	150mm	225mm	300mm	400mm	600mm	750mm	900mm
50mm		TUMSR075V050	TUMSR100V050	TUMSR150V050						
75mm	TUMSR075V075		TUMSR100V075	TUMSR150V075	TUMSR225V075					
100mm	TUMSR100V100	TUMSR150V100		TUMSR150V100	TUMSR225V100	TUMSR300V100	TUMSR450V100			
150mm	TUMSR150V150	TUMSR150V150	TUMSR150V150		TUMSR225V150	TUMSR300V150	TUMSR450V150	TUMSR600V150		
225mm		TUMSR225V225	TUMSR225V225	TUMSR225V225		TUMSR300V225	TUMSR450V225	TUMSR600V225	TUMSR750V225	
300mm			TUMSR300V300	TUMSR300V300	TUMSR300V300		TUMSR450V300	TUMSR600V300	TUMSR750V300	TUMSR900V300
400mm			TUMSR450V400	TUMSR450V400	TUMSR450V400	TUMSR450V400		TUMSR600V400	TUMSR750V400	TUMSR900V400
600mm				TUMSR600V600	TUMSR600V600	TUMSR600V600	TUMSR600V600		TUMSR750V600	TUMSR900V600
750mm					TUMSR750V750	TUMSR750V750	TUMSR750V750	TUMSR750V750		TUMSR900V750
900mm						TUMSR900V900	TUMSR900V900	TUMSR900V900	TUMSR900V900	

## Heavy Cable Tray Reducer

Width	50mm	75mm	100mm	150mm	225mm	300mm	400mm	600mm	750mm	900mm
50mm		TUHGR075V050	TUHGR100V050	TUHGR150V050						
75mm	TUHGR075V075		TUHGR100V075	TUHGR150V075	TUHGR225V075					
100mm	TUHGR100V100	TUHGR150V100		TUHGR150V100	TUHGR225V100	TUHGR300V100	TUHGR450V100			
150mm	TUHGR150V150	TUHGR150V150	TUHGR150V150		TUHGR225V150	TUHGR300V150	TUHGR450V150	TUHGR600V150		
225mm		TUHGR225V225	TUHGR225V225	TUHGR225V225		TUHGR300V225	TUHGR450V225	TUHGR600V225	TUHGR750V225	
300mm			TUHGR300V300	TUHGR300V300	TUHGR300V300		TUHGR450V300	TUHGR600V300	TUHGR750V300	TUHGR900V300
400mm			TUHGR450V400	TUHGR450V400	TUHGR450V400	TUHGR450V400		TUHGR600V400	TUHGR750V400	TUHGR900V400
600mm				TUHGR600V600	TUHGR600V600	TUHGR600V600	TUHGR600V600		TUHGR750V600	TUHGR900V600
750mm					TUHGR750V750	TUHGR750V750	TUHGR750V750	TUHGR750V750		TUHGR900V750
900mm						TUHGR900V900	TUHGR900V900	TUHGR900V900	TUHGR900V900	

# Cable Tray Accessories

The complete range of cable tray from Unistrut

## Couplers & Splices

Fish Plate (Light Duty)



Sold as Individual

Size (W)	Part No.		
	PG	HG	SS
45	TULFP050PG	TULFP050HG	TULFP050SS
70	TULFP075PG	TULFP075HG	TULFP075SS
100	TULFP100PG	TULFP100HG	TULFP100SS
150	TULFP150PG	TULFP150HG	TULFP150SS
225	TULFP225PG	TULFP225HG	TULFP225SS
300	TULFP300PG	TULFP300HG	TULFP300SS
450	TULFP450PG	TULFP450HG	TULFP450SS
600	TULFP600PG	TULFP600HG	TULFP600SS
750	TULFP750PG	TULFP750HG	TULFP750SS
900	TULFP900PG	TULFP900HG	TULFP900SS

**Straight Splice**  
(Medium or Heavy Duty Cable Tray)



Sold as Pair

Type	Finish		
	PG	HG	SS
Medium	TUM/SCPG	TUM/SCHG	TUMSC/SS
Heavy	TUH/SCPG	TUH/SCHG	TUHSC/SS

**Wrap Over Splice**  
(Medium or Heavy Duty Cable Tray)



Sold as Pair

Type	Finish		
	PG	HG	SS
Medium	TUM/WCPG	TUM/WCHG	TUM/WCSS
Heavy	TUH/WCPG	TUH/WCHG	TUH/WCSS

## Covers

### Unistrut Tray Straight Covers

Cable Tray

Size (W)		Length	
mm	HG	SS	
50	TUCHLT50/10HG	TUCHLT50/10SS	3m
75	TUCHLT75/10HG	TUCHLT75/10SS	3m
100	TUCHLT100/10HG	TUCHLT100/10SS	3m
150	TUCHLT150/10HG	TUCHLT150/10SS	3m
225	TUCHLT225/10HG	TUCHLT225/10SS	3m
300	TUCHLT300/10HG	TUCHLT300/10SS	3m
450	TUCHLT450/10HG	TUCHLT450/10SS	1.5m
600	TUCHLT600/10HG	TUCHLT600/10SS	1.5m
750	TUCHLT750/10HG	TUCHLT750/10SS	1.5m
900	TUCHLT900/10HG	TUCHLT900/10SS	1.5m



Sold as Individual

#### A cover for every fitting

We have custom fit covers for our entire range of lengths and fittings and can provide custom sizes if required for unique jobs. These are available upon demand - please contact our sales department for further information.

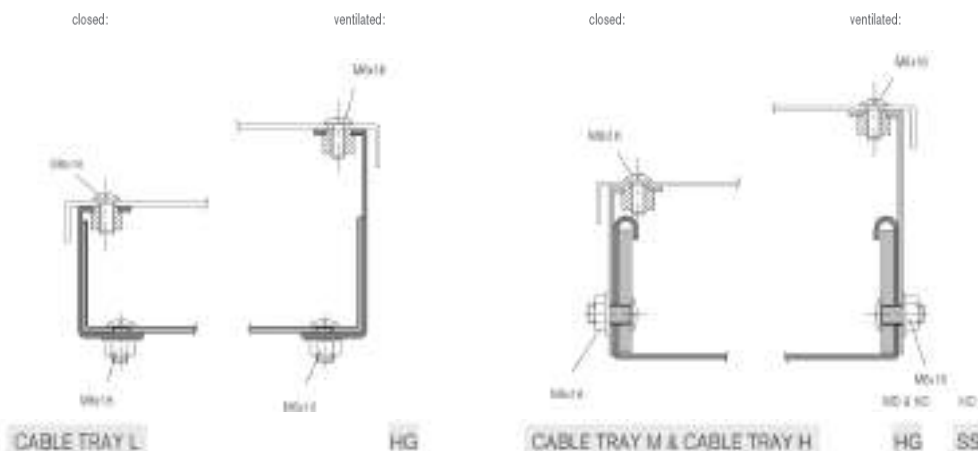
#### Ventilated Cover Clips

In addition to covers we also supply separately, the ventilated fitting equipment as detailed :

Part No.	Type	Duty	Finish
			Stainless Steel or Hot Galvanised
TUCM/VC	Ventilated	Medium	SS or HG
TUCM/CC	Closed	Medium	SS or HG
TUCH/VC	Ventilated	Heavy	SS or HG
TUCH/CC	Closed	Heavy	SS or HG

1.5m cover requires  
4 cover clips

3m cover requires  
6 cover clips



## Other Accessories

### Dividers



Duty	Finish		
	HG	SS	PG
Medium	TUM5D/HG	TUM5D/SS	TUM/SDPG
Heavy	TUHSD/HG	TUHSD/SS	TUH/SDPG

### Earth Continuity Connector



Size (L)	Part No.	Weight
100mm	EB100	0.87

### Overhead Cantilever Bracket



Part no.	Qty	Finish
OCBL050	1	PG
OCBL75	1	PG
OCBL100	1	PG
OCBL150	1	PG
OCBL225	1	PG
OCBL300	1	PG

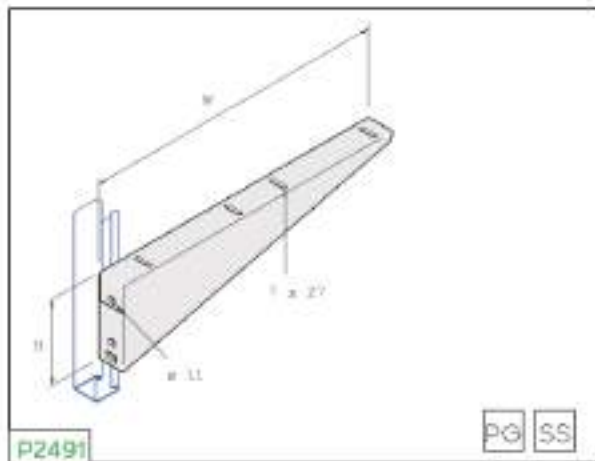
### Stand off Brackets



Part no.	Qty	Finish
TUTSB050PG	1	PG
TUTSB075PG	1	PG
TUTSB100PG	1	PG
TUTSB150PG	1	PG
TUTSB225PG	1	PG
TUTSB300PG	1	PG

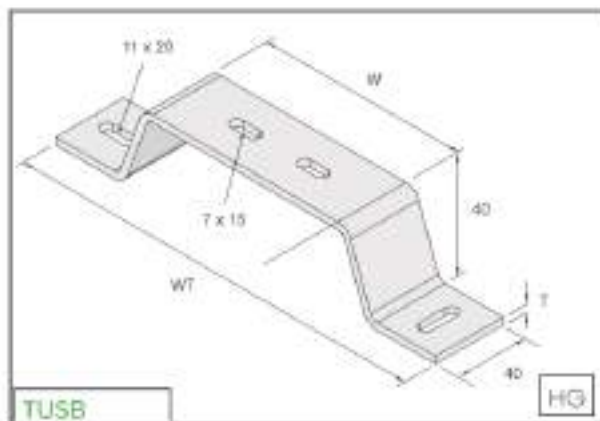
## Brackets

### Traying Arms



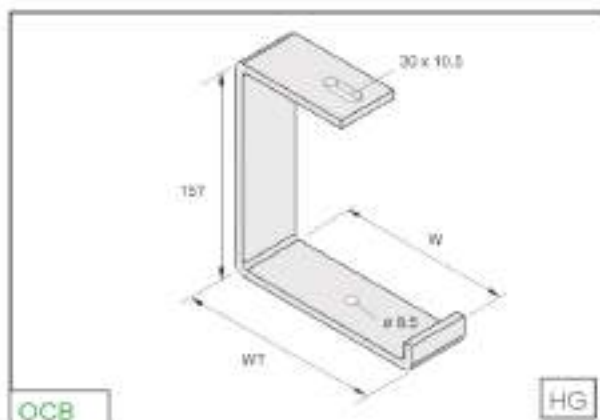
Part No.	Finishes		W mm	H mm	Fmax Kn	Ø	Qty
	PG	SS					
P2491/100	•	•	105	63	1.6	0.20	1
P2491/150	•	•	155	63	1.6	0.28	1
P2491/225	•	•	230	75	1.5	0.42	1
P2491/300	•	•	305	87	1.4	0.60	1
P2491/450	•	•	455	125	1.1	1.07	1
P2491/600	•	•	605	164	1.0	1.63	1

### Tray Stand Off Bracket



Part No.	Finishes		W mm	WT mm	T mm	Ø	Qty
	HG						
TUSB050	•		50	154	3	0.18	1
TUSB075	•		75	179	3	0.20	1
TUSB100	•		100	204	3	0.23	1
TUSB150	•		150	254	3	0.28	1
TUSB225	•		225	329	5	0.56	1
TUSB300	•		300	404	5	0.68	1
TUSB450	•		450	554	5	0.91	1
TUSB600	•		600	704	5	1.15	1

### G-Type Hanging Bracket



Part No.	Finishes		W mm	WT mm	Ø	Qty
	HG					
OCB75	•		80	92	0.68	1
OCB100	•		105	117	0.73	1
OCB150	•		155	167	0.89	1
OCB225	•		230	242	1.14	1
OCB300	•		305	317	1.38	1

Stated loadings apply to mild steel products only.

# Cable Trays - Information

## Materials and Finishes

### Pre-Galvanized [PG]

Cable trays, brackets and fittings can be Pre-Galvanized.  
Pre-Galvanizing is to BS EN 10346:2009 (Coating Z275)

### Hot-Dip Galvanized [HDG]

Cable trays, brackets, cantilever arms and fittings can be hot-dip galvanized in accordance with BS EN ISO 1461:2009 and chromate passivated.

The minimum average Zinc Coating is as follows:

Cold Rolled From 1.5mm Steel - 55 microns

Fittings spun galvanized - 45 microns

### Stainless Steel [SS]

- Stainless Steel 1.4301 (304)

- Stainless Steel 1.4404 (316L)

- Cleaned (Pickled & Passivated) Applying a pickling process to stainless steel results in a clean product and it also removes any heat discoloration that has occurred in the welding process.

## SPECIAL COATINGS AND MATERIAL GRADES ARE AVAILABLE ON REQUEST

## Certification and Quality Standards

ISO 9001 - Quality system certification

ISO 14001 - Environment certification

OHSAS 18001 - Health and safety certification

## Useful Cross Section - Unistrut Tray

### Light Duty (L)

Width	Useful cross section
mm	(cm <sup>2</sup> )
50	5.4
75	8.1
100	10.9
150	16.6
225	24.9
300	49.9
450	75.1
600	95.3
750	119.3
900	143.3

### Medium Duty (M-25)

Width	Useful cross section
mm	(cm <sup>2</sup> )
50	11.4
75	17.4
100	23.5
150	35.6
225	53.7
300	70.4
450	105.1
600	141.8
750	171.1
900	205.6

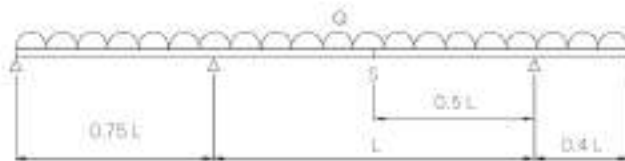
### Heavy Duty (H-50)

Width	Useful cross section
mm	(cm <sup>2</sup> )
75	35.8
100	48.1
150	72.7
225	108.2
300	144.8
450	213.6
600	285.6
750	357.6
900	429.6

Stated loadings apply to mild steel products only.

## Unistrut Loading Data

### Loading Data



Load test according to CEI/IEC 61537:2001

Q = UDL (uniformly distributed load)

Safety Factor = 1.7

L = intermediate span

F = deflection = 1/100 of the intermediate span (max.)

S = splice location

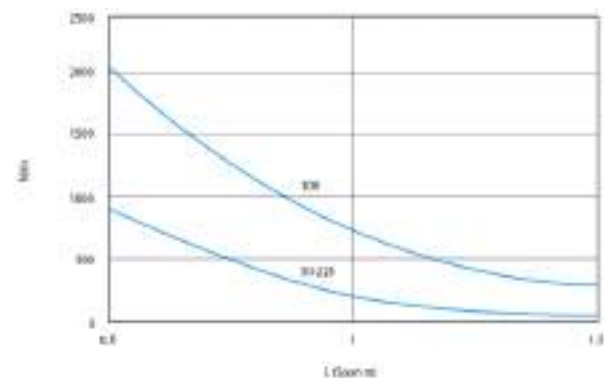
Unistrut's load testing is in accordance with CEI/IEC 61537:2001, in practical terms this covers continuous/multi span installations, evenly loaded along the length of, and across the full width of the tray. The end spans in these installations should be reduced to 0.75 of the intermediate spans.

**Deflection:** Unistrut's load and deflection figures are in accordance with CEI/IEC 61537:2001, with the characteristic deflection of Unistrut Cable Tray limited to span/100, and load figures inclusive of a safety factor of 1.7.

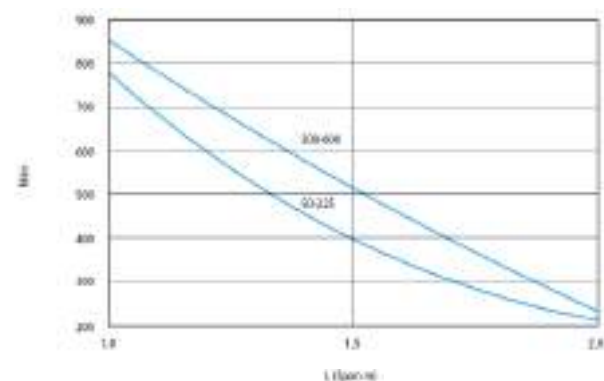
**Accessories:** To ensure adequate support, accessories should be supported locally.

**Couplers:** The loading and deflection tables for Unistrut Cable Tray assume that the couplers are located at the most onerous position within the span (i.e. mid span). To maintain the load/deflection figures stated in the tables, the couplers should not be located in end spans or over support locations. Straight couplers were utilized for the testing of the medium and heavy duty cable trays. Only one pair of couplers should be installed per span.

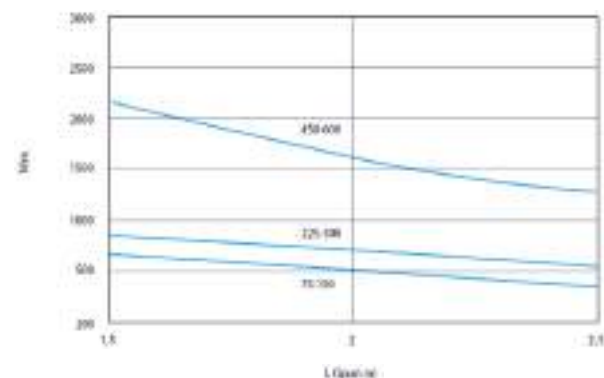
### Light Duty Cable Tray



### Medium Duty Cable Tray



### Heavy Duty Cable Tray



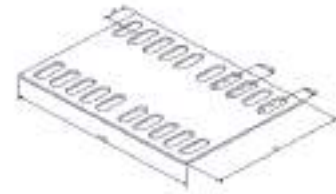


## Unistrut Couplers

Straight lengths of Light duty cable tray come with a self splicing mechanism built in.

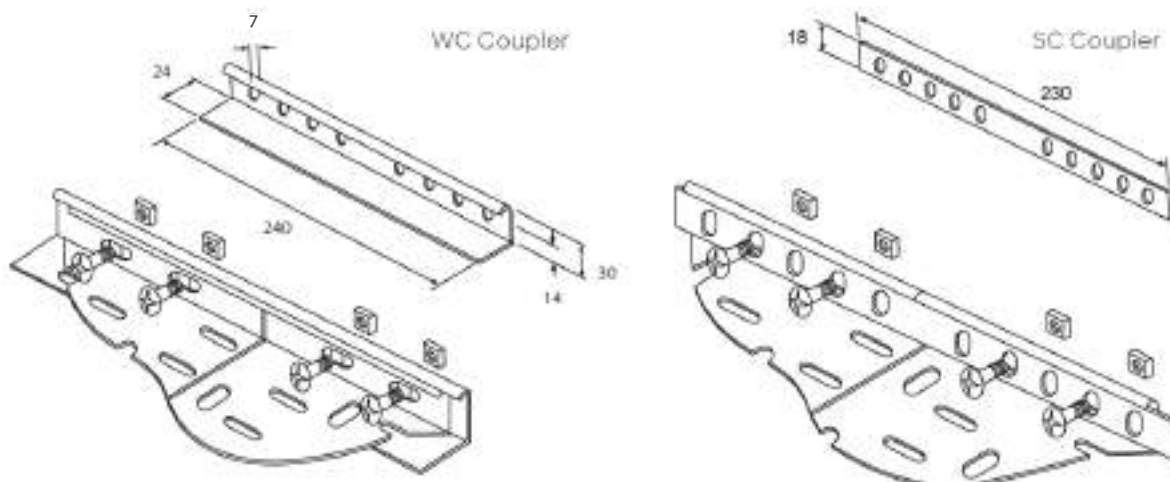
However for when you need to cut your tray (and thus remove the self splicing element) or if you are attaching one of our light tray fittings, we provide this easy to install fish plate for coupling.

### Fish Plate - For Light Duty Cable Tray (Cut Ends)



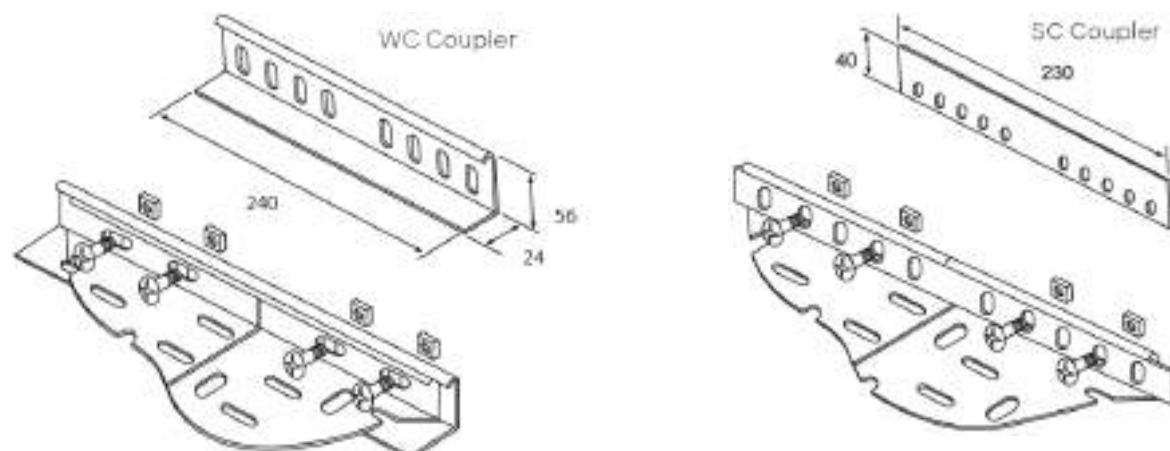
### TUM/WC Coupler & TUM/SC Straight Coupler

For medium tray we recommend either the TUM/WC wrap coupler or TUM/SC straight coupler.



### TUH/WC Coupler & TUH/SC Straight Coupler

For heavy tray we recommend either the TUH/WC wrap coupler or TUH/SC straight coupler.



## Size and Angle Codes

Our fittings come in a wide variety of widths, radii and angles (where appropriate). Many of these are standard factory items and the rest are available upon request.

Unless specified, figures are in millimetres (mm)

### Light Duty

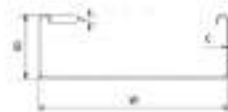


DIM B  
12mm (N=50-225mm)  
18mm (N=300-900mm)

### Medium Duty



### Heavy Duty



### Extra Heavy Duty



Code	Width
050	50mm
075	75mm
100	100mm
150	150mm
225	225mm
300	300mm
450	450mm
600	600mm
750	750mm
900	900mm

### Angles (D) - Fittings Only

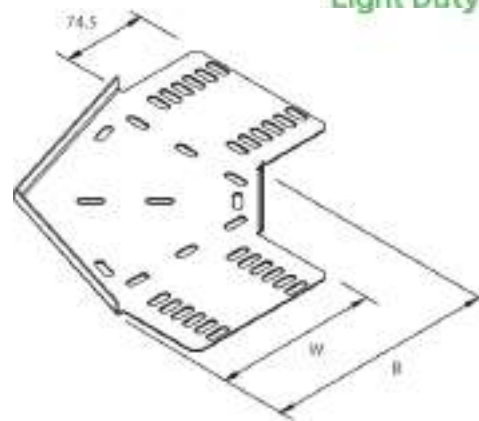
Code	Angle
30	30
45	45
60	60
90	90

### Thickness (C) - Fittings Only

Code	Thickness
0.80	0.80mm
1.20	1.20mm
2.00	2.00mm

## Unistrut Fittings (Light)

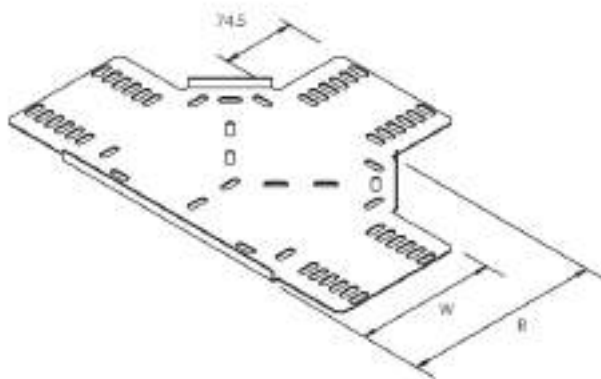
Light Duty - 45° and 90° Flat Bend



	W	B	-> <-	Weight
	mm	mm	C	
45°	50	66	0.80	0.07
45°	75	91	0.80	0.12
45°	100	116	0.80	0.19
45°	150	166	0.80	0.33
45°	225	238	0.80	0.58
45°	300	315	1.20	1.34
45°	450	464	1.20	3.07
45°	600	615	1.20	5.13
45°	750	765	2.00	7.7
45°	900	915	2.00	10.79

	W	B	-> <-	Weight
	mm	mm	C	
90°	50	100	0.80	0.07
90°	75	125	0.80	0.12
90°	100	150	0.80	0.19
90°	150	200	0.80	0.33
90°	225	275	0.80	0.58
90°	300	360	1.20	1.34
90°	450	500	1.20	3.07
90°	600	650	1.20	5.13
90°	750	800	2.00	7.7
90°	900	950	2.00	10.79

Light Duty - Equal Tee

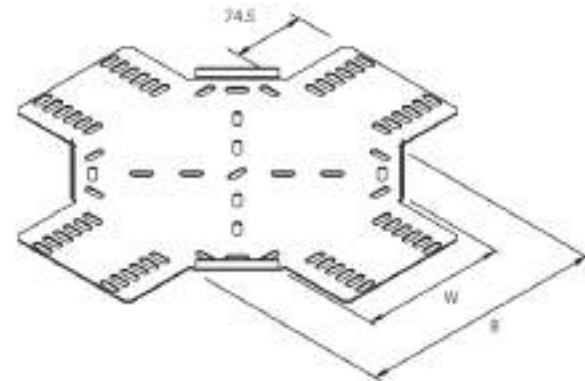


W	B	C	-> <-	Weight
mm	mm	mm		
50	100	74.5	0.80	0.12
75	125	74.5	0.80	0.2
100	150	74.5	0.80	0.29
150	200	74.5	0.80	0.49
225	275	74.5	0.80	0.87
300	350	74.5	1.20	1.94
450	500	74.5	1.20	3.91
600	650	74.5	1.20	6.42
750	800	74.5	2.00	9.56
900	950	74.5	2.00	13.31

## Unistrut Fittings (Light)

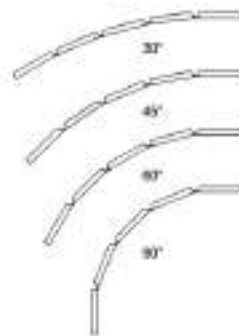
### Light Duty - Equal Cross

W	B	C	→ ←	Weight
mm	mm	mm	C	
50	100	74.5	0.80	0.17
75	125	74.5	0.80	0.26
100	150	74.5	0.80	0.36
150	200	74.5	0.80	0.62
225	275	74.5	0.80	1.05
300	350	74.5	1.20	2.23
450	500	74.5	1.20	4.16
600	650	74.5	1.20	6.75
750	800	74.5	2.00	9.95
900	950	74.5	2.00	13.77

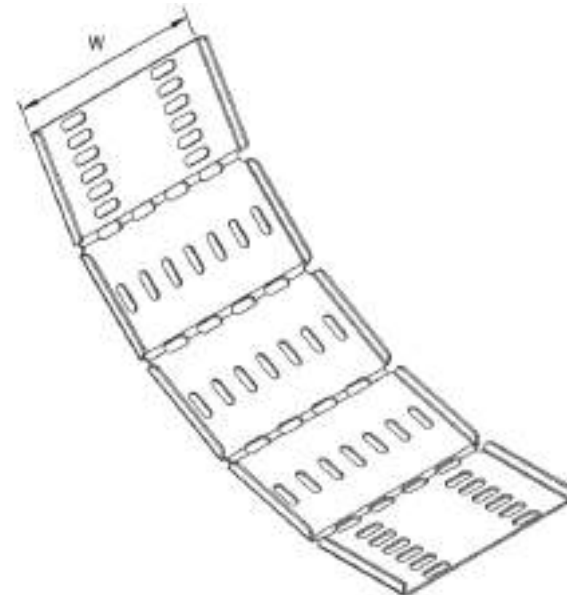
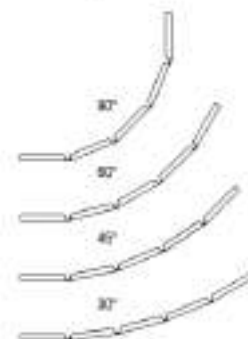


### Adjustable Riser

Used as outside riser:



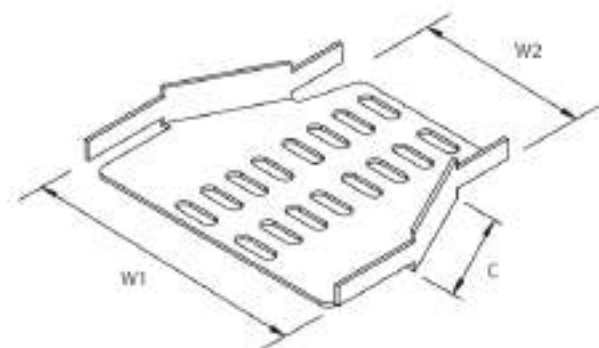
Used as inside riser:



### Light Duty - Cable Tray Reducer

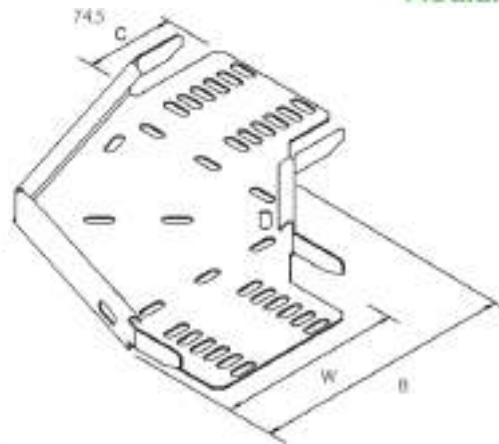
Part No	Finish
TULSR W1 / W2	Stainless Steel, Hot Galv or Pre Galv SS, HG or PG

e.g. i.e a 600mm Wide to 300mm Wide Cable Tray Reducer in Hot Galvanised Finish would be TULSR600/300HG



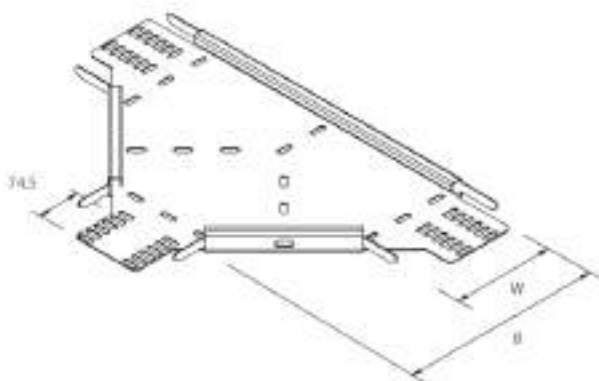
# Unistrut Fittings (Medium)

## Medium Duty - 45° and 90° Flat Bend



	W	B	→ ←	Weight		W	B	→ ←	Weight
	mm	mm				mm	mm	C	
45°	50	87	0.80	0.13	90°	50	172	0.80	0.41
45°	75	107	0.80	0.17	90°	75	197	0.80	0.51
45°	100	132	0.80	0.22	90°	100	222	0.80	0.63
45°	150	182	0.80	0.34	90°	150	272	0.80	0.92
45°	225	257	0.80	0.55	90°	225	347	0.80	1.38
45°	300	332	1.20	1.16	90°	300	422	1.20	2.02
45°	450	482	1.20	2.00	90°	450	572	1.20	3.36
45°	600	632	1.20	3.01	90°	600	722	1.20	4.93
45°	750	812	2.00	6.60	90°	750	872	2.00	12.20
45°	900	962	2.00	8.75	90°	900	1022	2.00	18.65

## Medium Duty - Equal Tee

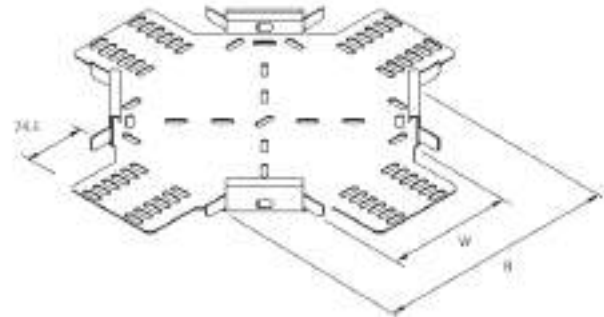


W	B	→ ←	Weight
mm	mm	C	
50	172	0.80	0.41
75	197	0.80	0.51
100	222	0.80	0.63
150	272	0.80	0.92
225	347	0.80	1.38
300	422	1.20	2.02
450	572	1.20	3.36
600	722	1.20	4.93
750	872	2.00	12.20
900	1022	2.00	18.65

## Unistrut Fittings (Medium)

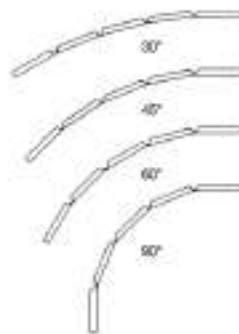
### Medium Duty - Equal Cross

W	B	C	Weight
mm	mm	C	
50	300	0.80	0.64
75	325	0.80	0.68
100	350	0.80	0.81
150	400	0.80	1.15
225	475	0.80	1.70
300	550	1.20	3.28
450	700	1.20	5.47
600	850	1.20	8.14
750	872	2.00	13.36
900	1022	2.00	17.45

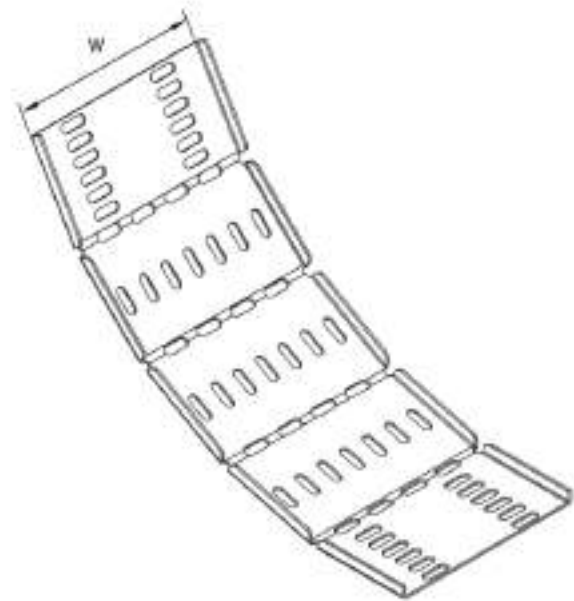
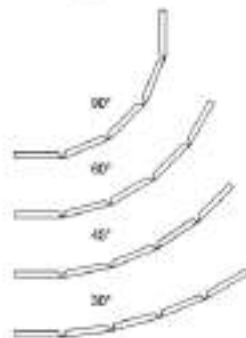


### Adjustable Riser

Used as outside riser:



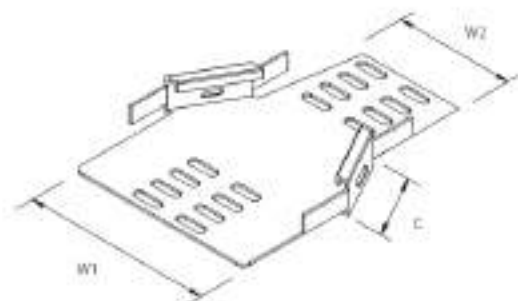
Used as inside riser:



### Medium Duty = Cable Tray Reducer

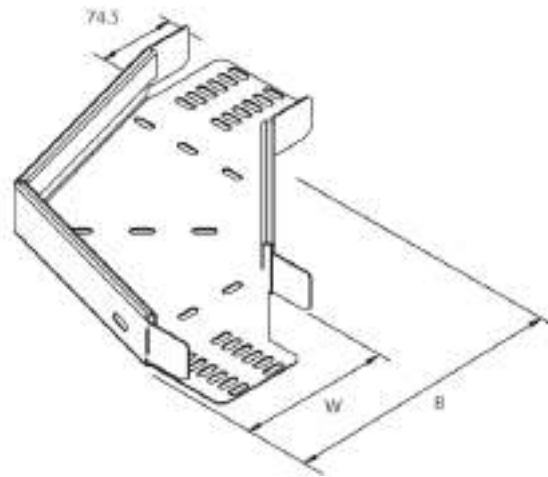
Part No	Finish
	Stainless Steel, Hot Galv or Pre Galv
TUMSR S / S	SS, HG or PG

e.g. a 150mm Wide Medium Duty cable tray in Stainless Steel Finish would be TUMSR150/10SS



# Unistrut Fittings (Heavy)

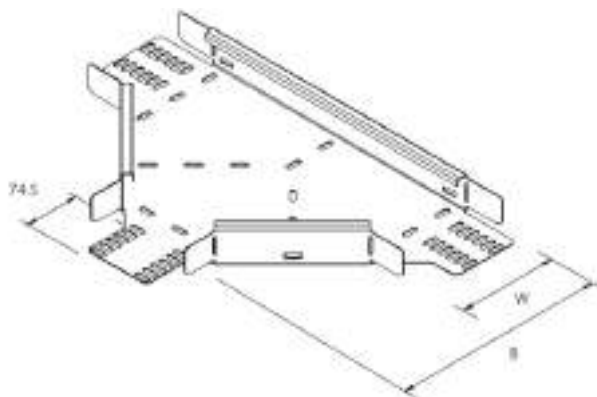
## Heavy Duty - 45° and 90° Flat Bend



	W	B	→ ←	Weight
	mm	mm	C	
45°	75	177	0.80	0.24
45°	100	182	0.80	0.30
45°	150	182	0.80	0.43
45°	225	257	0.80	0.64
45°	300	332	1.20	1.32
45°	450	482	1.20	2.18
45°	600	632	1.20	3.22
45°	750	920	2.00	7.22
45°	900	1070	2.00	9.55

	W	B	→ ←	Weight
	mm	mm	C	
90°	75	197	0.80	0.39
90°	100	222	0.80	0.48
90°	150	272	0.80	0.68
90°	225	347	0.80	1.5
90°	300	422	1.20	2.09
90°	450	572	1.20	3.53
90°	600	722	1.20	5.31
90°	750	872	2.00	11.1
90°	900	1022	2.00	14.69

## Heavy Duty - Equal Tee

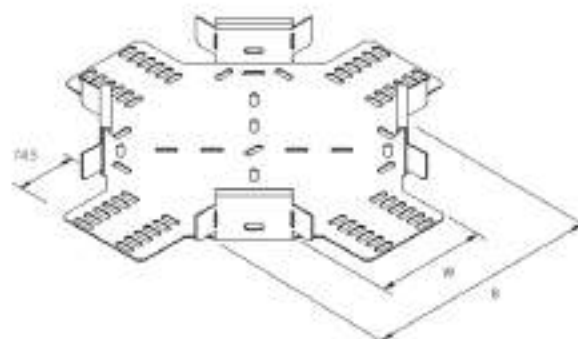


W	B	→ ←	Weight
mm	mm	C	
75	197	0.80	0.63
100	222	0.80	0.96
150	272	0.80	1.30
225	347	0.80	2.01
300	422	1.20	3.45
450	572	1.20	5.64
600	722	1.20	8.31
750	872	2.00	13.65
900	1022	2.00	17.64

## Unistrut Fittings (Heavy)

### Heavy Duty - Equal Cross

W	B	-  -	Weight
mm	mm	C	
75	325	0.80	0.63
100	350	0.80	0.96
150	400	0.80	1.30
225	475	0.80	2.01
300	550	1.20	3.45
450	700	1.20	5.64
600	850	1.20	8.31
750	872	2.00	13.65
900	1022	2.00	17.64

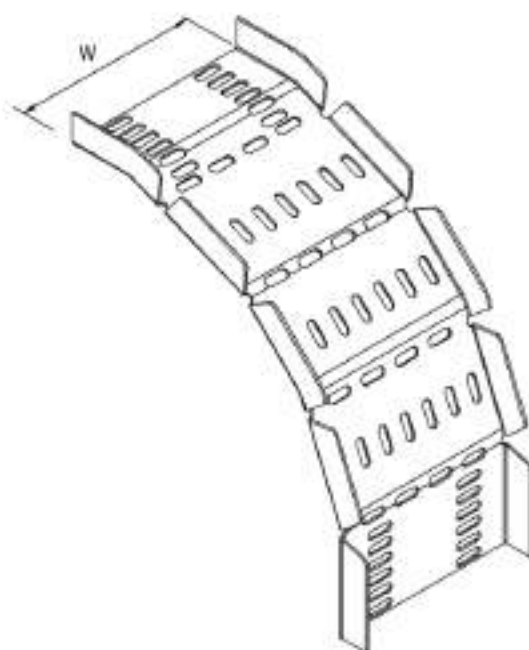
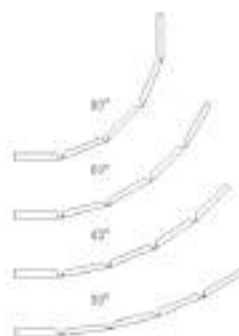


### Adjustable Riser

Used as outside riser:



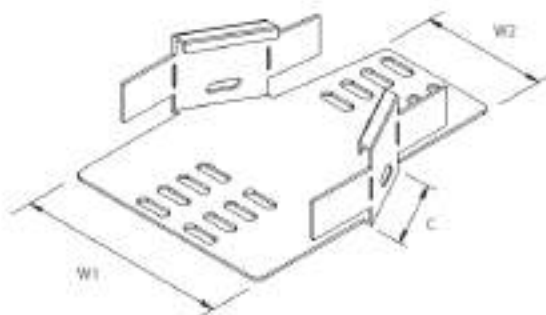
Used as inside riser:



### Heavy Duty - Cable Tray Reducer

Part No	Finish
	Stainless Steel, Hot Galv or Pre Galv
TUHSR100/075	SS, HG or PG

e.g. i.e a 150mm Wide Heavy Duty cable tray in Stainless Steel Finish would be TUHSR150/10SS







# Metal Framing

Original Unistrut® Metal  
Framing



## METAL FRAMING CONTENTS

Contents	Page Number
About Unistrut Metal Framing Systems	Page 35
Standard Range	Page 37
Special Range	Page 44
Concrete Inserts	Page 45
Channel Nuts	Page 46
Fittings	Page 48
Cantilever Arms	Page 59
Lighting Supports	Page 62
Nuts, Bolts & Washers	Page 64
Fixings	Page 68
Kwikstrut	Page 72



## Materials and Finishes



Image for illustrative purposes only

### Pre Galvanised

Our most popular finish, generally used for internal applications. Pre Galvanised to Z275- BS EN 10346 1,0244 standards. Supplied with a zinc coating to a nominal coat of 20µm.

PG

### Hot Dipped Galvanised

Processed in accordance with BS EN ISO 1461: 2009. It is an excellent solution for outdoor environments and has a unique metallurgical structure which gives outstanding resistance to mechanical damage in transport, erection and service.

HG

### Plain Oil

Plain oil to BS EN 10025 standards. Pickled & Oiled with a min. yield 280 n/mm² Excellent for welding and finishing on site. Ideal base for powder coating and other surface finishes.

PO

### Stainless Steel

Stainless steel to 1.4404 (316L) standards. Excellent for marine applications, highly corrosive and extreme environmental conditions.

SS

### Zinc Dichromate

Often used for clean rooms, data centres and other sterile environments.

ZD

### Powder Coated

A variety of powder coating finishes are available. Often used to provide a pleasing aesthetic finish such as shops and retail environments.

PC

### Zinc Plated

An alternative to a Pre Galvanised product and generally used for internal applications. Again often used in sterile environments. Electroplated EN 12329.

ZP

### Deep Galvanised

Processed in accordance with BS EN ISO 1461: 2009 to a greater thickness than our standard Hot Dipped Galvanised, it is an excellent solution for outdoor and harsh environments.

DH

## Materials and Finishes

### INTRODUCTION

Unistrut channels and fittings offer total flexibility in design and construction of assemblies for framing applications.

Unistrut products are available in a range of materials and finishes. These finishes offer differing degrees of corrosion protection for use in a variety of environments. Where required, factory decorative finishes, i.e., powder coatings, are available to order.

### MATERIALS

Channels are cold rolled from 1.5mm and 2.5mm steel strip and are available in:

- PO** PLAIN OILED
- PG** PRE - GALVANIZED
- HG** HOT DIP GALVANIZED
- SS** STAINLESS STEEL MARINE GRADE
- ZP** ELECTRO ZINC PLATED

Mild steel channels are rolled using material formed from BS EN 10025 with guaranteed yield  $280\text{N/mm}^2$  and minimum ultimate tensile strength of  $370\text{N/mm}^2$ .

Stainless steel channels are rolled using material formed from BS EN10088-2 grade 1.4404 (Grade 316L).

Unistrut fittings are pressed from hot rolled, pickled and oiled mild steel plate, or strip steel mainly from grade S315MC OR grade S275 mild steel.

Stainless steel fittings are available to EN10088-2 grade 1.4404 (Grade 316L).

### FINISHES

#### Hot -Dip Galvanized

Channels are Hot-Dip Galvanized in accordance with BS EN ISO1461:2009 and chromate passivated.

The minimum average Zinc Coating is as follows:

- Cold Rolled From 1.5mm Steel - 55 microns
- 2.5mm Steel - 55 microns

Fittings spun galvanized - 45 microns.

#### Pre-Galvanized

Pre-Galvanizing is to BS EN 10326:2004 (Coating Z275).

Special coatings and material grades are available on request.

#### Stainless Steel

- Stainless Steel 1.4301 (304)
- Stainless Steel 1.4404 (316L)
- Cleaned (Pickled & Passivated) Applying a pickling process to stainless steel results in a clean product and it also removes any heat discoloration that has occurred in the welding process.

#### Deep Galvanized

A deep galvanized coating can be achieved when using steel containing a slightly higher proportion of silicon; for example Corten 'A' steel. Silicon bearing steels modify the chemistry of the galvanizing process, resulting in the zinc coating continuing to increase in thickness as long as the steel remains immersed in the zinc. Coatings up to two to three times as thick as the normal standard coating are practical to achieve.

#### PVC Coating

PVC coating is a thick coating with good anti-corrosion properties. It gives a generally good chemical resistance to most acidic and alkaline materials. It is not suitable for use with most solvent-based contaminants. PVC coating is suitable for application over hot-dip galvanized steel.

#### Zinc Electroplated

Channel nuts and bolts are zinc electroplated.

#### RANGE

Channels are available in plain or continuous slotted (Code T), in multiple channel combinations and all 2.5mm channels have serrated lips. Slots, 14mm wide x 28mm long or 11mm wide x 25mm long, are provided at 50mm nominal centres. Combination channels manufactured from Pre-Galvanized Steel are spot welded, whilst Hot-Dip Galvanized channels are continuously seam welded or spot welded as appropriate.

#### LENGTH

Standard channel lengths are 3m or 6m. Cut channel lengths can be supplied.

#### WEIGHTS & DIMENSIONS

Weights published in this catalogue for all materials are approximate shipping weights. All dimensions are subject to commercial tolerance variations.

#### TORQUE

The torque figures stated in this catalogue are based on using a properly calibrated torque wrench with a clean, dry (non-lubricated) Unistrut fitting, bolt and nut. A lubricated bolt or nut can cause extremely high tension in the connection and may lead to bolt failure. It must be noted that the accuracy of commercial torque wrenches varies widely and it is the responsibility of the installer to ensure that proper bolt torque has been achieved.

#### PERFORMANCE

It should not be assumed that the performance of a stainless steel product is similar to that of its mild steel counterpart. Consult your local service centre for further information.

#### FITTING APPLICATION

All part drawings illustrate only one application of each fitting. In most cases, many other applications are possible. Load values are based on use of a PNP12 Unistrut nut and M12 bolt unless specified otherwise.

While effort has been made to ensure the accuracy of the information contained in this catalogue at the time of publication, we cannot accept responsibility for inaccuracies resulting from undetected errors or omissions.

E & O.E. Unistrut Limited has a policy of continuous product development and reserve the right to change specifications without prior notice.

#### STANDARDS

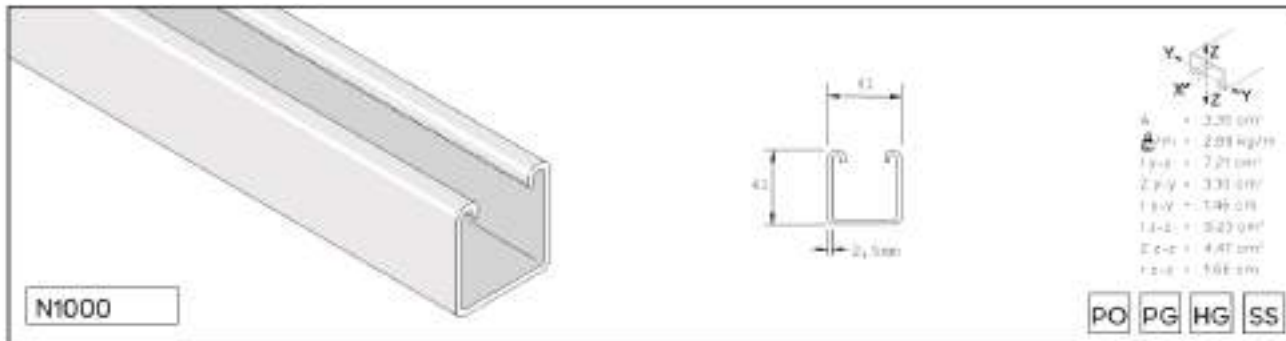
The standard requires that products are stamped with BSEN6946:1988 and also the name of the manufacturer.

We at Unistrut show that the standard is achieved by rolling the channel with the part number along with the full name of the Standard BSEN6946:1988, and also our own UNISTRUT® branding. This is, as it should be, stamped into the Channel to ensure that you can clearly identify our product over the inferior product that is creeping into the market place.

The engraving should also be clearly visible at all times, even when the product has undergone further finishing treatments i.e. Hot Dip Galvanized, Epoxy Coating.

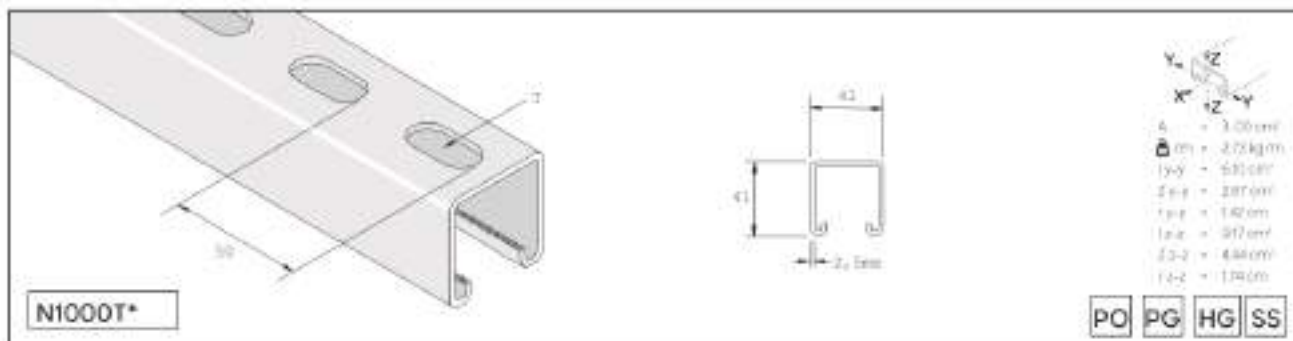
Contractors and distributors should be aware of cheap imported and non-standard products that have removable or no product marking at all, as this is not within the Standard.

# Unistrut N1000



L(mm)	F		F <sub>Yield</sub>	F <sub>Ult</sub>	F <sub>Defl</sub>
	F <sub>max</sub> (kN)	F <sub>max</sub> (mm)			
250	17.354	0.23	-	-	16.608
300	8.672	0.95	-	-	10.367
750	5.778	2.15	-	5.602	15.245
1000	4.336	3.82	-	3.142	13.685
1250	3.463	5.97	-	2.011	12.086
1500	2.884	8.69	2.521	1.393	10.222
1750	2.472	11.70	1.844	1.020	9.575
2000	2.366	15.29	1.419	0.785	8.623
2250	1.913	19.35	1.118	0.618	7.819
2500	1.727	23.88	0.903	0.500	7.112
2750	1.570	28.91	0.746	0.412	6.504*
3000	1.442	34.40	0.628	0.342	5.995*

\*BD + 4L/3 + 250



L(mm)	F		F <sub>Yield</sub>	F <sub>Ult</sub>	F <sub>Defl</sub>
	F <sub>max</sub> (kN)	F <sub>max</sub> (mm)			
250	16.069	0.27	-	-	16.283
300	8.034	1.05	-	-	10.039
750	5.356	2.35	-	4.738	15.274
1000	4.012	4.18	-	2.858	13.626
1250	3.208	6.54	3.073	1.707	11.850
1500	2.678	9.41	2.429	1.177	10.498
1750	2.296	12.81	1.960	0.863	9.231
2000	2.001	16.73	1.607	0.657	8.270
2250	1.785	21.18	1.342	0.520	7.465
2500	1.599	26.15	1.065	0.422	6.779
2750	1.452	31.64	0.829	0.343	6.190*
3000	1.334	37.65	0.700	0.284	5.670*

\*BD + 4L/3 + 250

Part No.	Length (ft)	PO	PG	HG	SS	25x31	26x14
UN1000	3	B	-	-	-	-	-
UN1000T	-	-	-	-	-	-	-
UN1000T*	-	-	-	-	-	-	-

Also available in 2mm

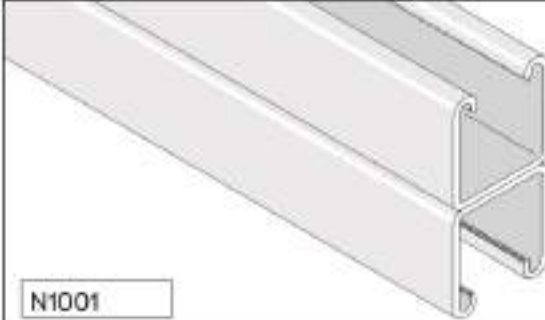

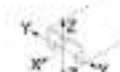
Stated loadings apply to mild steel products only.

Metal Framing

# Atkore

## Unistrut

## Unistrut N1001

**N1001**

A	= 4.30 cm <sup>2</sup>
W/m	= 3.71 kg/m
I <sub>y-y</sub>	= 26.21 cm <sup>4</sup>
Z <sub>x-x</sub>	= 4.39 cm <sup>3</sup>
I <sub>y-y</sub>	= 3.32 cm <sup>4</sup>
I <sub>z-z</sub>	= 16.46 cm <sup>4</sup>
Z <sub>x-x</sub>	= 8.84 cm <sup>3</sup>
r <sub>x-x</sub>	= 1.60 cm

**PO PG HG SS**

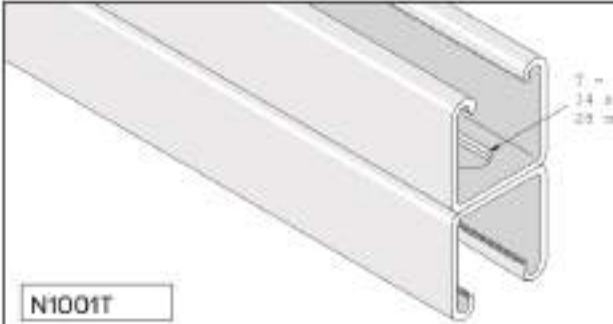
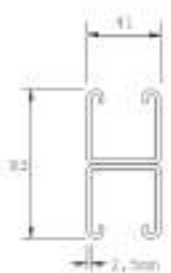

Length	F		F <sub>Yield</sub>	F <sub>Ult</sub>	F <sub>Ult</sub>
	Strength	Strength			
250	-	-	-	-	28.251
500	-	-	-	-	28.096
750	10.303	121	-	-	27.792
1000	12.292	2.45	-	-	27.301
1250	3.830	3.30	-	-	26.438
1500	8.091	4.84	-	7.044	25.025
1750	7.024	6.59	-	5.970	23.220
2000	6.341	8.61	-	3.953	21.258
2250	5.454	10.03	-	3.129	19.354
2500	4.915	12.45	4.552	2.531	17.452
2750	4.464	16.23	3.757	2.020	15.930
3000	4.031	19.37	3.169	1.756	14.391*

**HG**  
Continuously Seam  
Welded

**SS**  
Spot Welded



\*R<sub>0</sub> = H<sub>0</sub>/V = 250

**N1001T**

A	= 6.00 cm <sup>2</sup>
W/m	= 5.47 kg/m
I <sub>y-y</sub>	= 36.21 cm <sup>4</sup>
Z <sub>x-x</sub>	= 8.77 cm <sup>3</sup>
I <sub>y-y</sub>	= 2.45 cm <sup>4</sup>
I <sub>z-z</sub>	= 16.34 cm <sup>4</sup>
Z <sub>x-x</sub>	= 8.88 cm <sup>3</sup>
r <sub>x-x</sub>	= 1.74 cm

**PO PG HG SS**

Length	F		F <sub>Yield</sub>	F <sub>Ult</sub>	F <sub>Ult</sub>
	Strength	Strength			
250	-	-	-	-	27.458
500	-	-	-	-	27.311
750	10.303	121	-	-	27.017
1000	12.272	2.45	-	-	26.585
1250	3.830	3.30	-	-	25.830
1500	8.092	4.84	-	7.034	24.564
1750	7.024	6.59	-	5.970	22.906
2000	6.341	8.61	-	3.953	21.262
2250	5.454	10.03	-	3.129	19.105
2500	4.905	12.45	4.552	2.531	17.452
2750	4.464	16.23	3.757	2.020	15.8520
3000	4.031	19.38	3.169	1.756	14.391*

**HG**  
Continuously Seam  
Welded

**PO PG SS**  
Spot Welded



\*R<sub>0</sub> = H<sub>0</sub>/V = 250

Part No.	Length	Finish	Box Size (L)
P1001	3	PO PG HG SS	25x11 28x14
P1001T	-	-	-
P1001TQ	-	-	-

Stated loadings apply to mild steel products only.



# Unistrut N3300

$A_x = 332\text{cm}^2$   
 $A_y = 121\text{kg/m}$   
 $I_{x-x} = 1.02\text{cm}^4$   
 $I_{y-y} = 0.97\text{cm}^4$   
 $I_{z-z} = 0.71\text{cm}^4$   
 $r_{x-x} = 534\text{cm}$   
 $r_{y-y} = 334\text{cm}$   
 $r_{z-z} = 121\text{cm}$

**N3300**

PO PG HG SS

Length L (mm)	F (kN)		F <sub>Yield</sub> F (kN)	F <sub>Ult</sub> F (kN)	F <sub>Def</sub> mm
	Fixed	Free			
250	5.425	0.85	-	-	10.202
500	2.708	1.81	-	2.080	9.761
750	1.905	4.07	1.650	0.932	8.427
1000	1.354	7.24	0.932	0.500	6.769
1250	1.075	11.32	0.586	0.324	5.370
1500	0.903	16.39	0.412	0.226	4.287*
1750	0.775	22.19	0.304	-	3.463*
2000	0.677	28.99	0.220	-	-

\*150 x HL x 250

$A_x = 2075\text{cm}^2$   
 $A_y = 176\text{kg/m}$   
 $I_{x-x} = 1.04\text{cm}^4$   
 $I_{y-y} = 0.92\text{cm}^4$   
 $I_{z-z} = 0.71\text{cm}^4$   
 $r_{x-x} = 532\text{cm}$   
 $r_{y-y} = 327\text{cm}$   
 $r_{z-z} = 121\text{cm}$

**N3300T10**

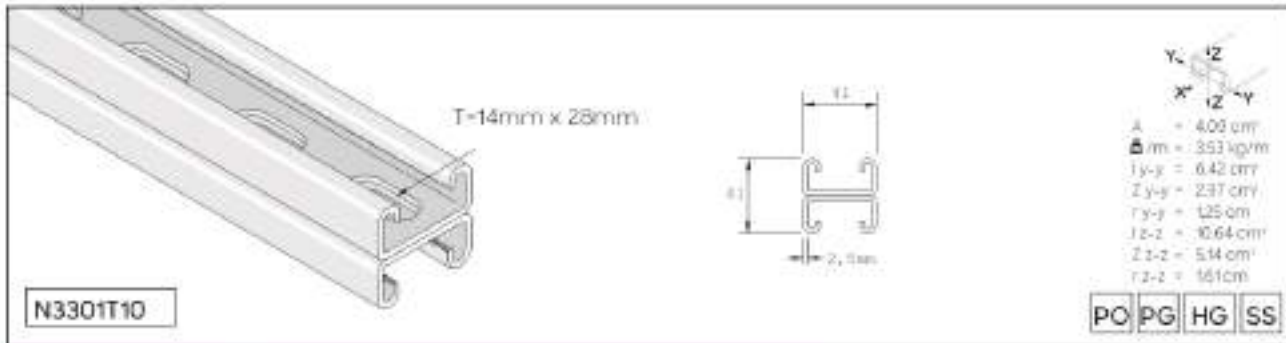
PO PG HG SS

Length L (mm)	F (kN)		F <sub>Yield</sub> F (kN)	F <sub>Ult</sub> F (kN)	F <sub>Def</sub> mm
	Fixed	Free			
250	5.152	0.49	-	-	-
500	2.579	1.97	-	1.89	-
750	1.717	4.42	1.455	0.809	-
1000	1.268	7.87	0.819	0.495	-
1250	1.030	12.29	0.524	0.321	-
1500	0.885	17.70	0.364	-	-
1750	0.736	24.09	0.267	-	-
2000	0.644	31.46	-	-	-

Part No.	Length (M)		Finish			
P3300	3	6	PO	PG	HG	SS
P3300T10	-	-	-	-	-	-

Stated loadings apply to mild steel products only.

Metal Framing



Metal Framing

Length L (mm)	Span S (mm)		M <sub>max</sub> kNm	M <sub>max</sub> kgf/cm	F <sub>max</sub> kN
	Simply Supported	Fixed			
250	16.632	0.25	-	-	17.266
500	8.315	1.01	-	-	17.030
750	5.544	2.31	-	4.991	16.599
1000	4.188	4.11	-	2.898	15.667
1250	3.326	6.43	3.234	1.797	14.156
1500	2.772	9.25	2.246	1.248	12.478
1750	2.376	12.60	1.650	0.917	10.830
2000	2.079	16.45	1.263	0.702	9.496
2250	1.848	20.83	0.958	0.555	8.289*
2500	1.663	25.71	0.809	0.449	7.250*
2750	1.512	31.11	0.668	0.371	6.377*
3000	1.385	37.02	0.562	0.312	-



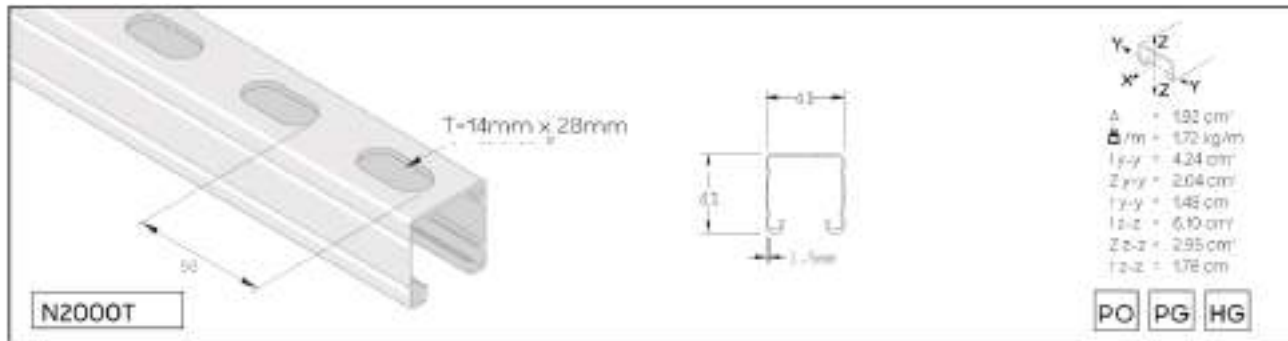
\*R0 = HL/2 = 250

Length L (mm)	Length M (mm)		Finish			
	3	6	PO	PG	HG	SS
N3301T10	-	-	-	-	-	-

Stated loadings apply to mild steel products only.

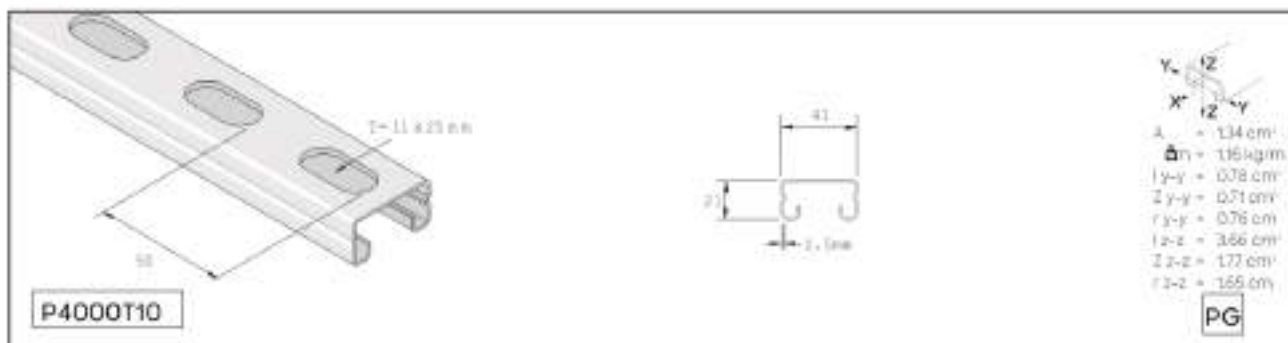


# Unistrut N2000 & N4000



\*KL/r = 180-250

Length (mm)	Uniformly Distributed Load		P <sub>Y</sub> (kN)	P <sub>Z</sub> (kN)	P <sub>Y</sub> (kg)
	Ends (kN)	Midspan (kN)			
250	11.42	0.29	-	-	11.35
500	9.71	1.06	-	-	10.87
750	3.81	2.40	-	3.30	10.65
1000	2.85	4.27	-	1.65	9.30
1250	2.28	6.68	2.13	1.15	7.73
1500	1.90	9.62	1.49	0.82	6.54
1750	1.63	13.10	1.09	0.60	5.55
2000	1.42	17.11	0.83	0.46	4.78
2250	1.27	21.69	0.66	0.36	4.17
2500	1.14	26.75	0.53	0.29	3.68
2750	1.03	32.35	0.43	0.24	3.30*
3000	0.95	38.50	0.36	0.21	3.05*



Length (mm)	Uniformly Distributed Load		P <sub>Y</sub> (kN)	P <sub>Z</sub> (kN)	P <sub>Y</sub> (kg)
	Ends (kN)	Midspan (kN)			
250	3.976	0.51	-	-	-
500	1.980	2.02	-	1.304	-
750	1.325	4.55	1.092	0.606	-
1000	0.934	8.09	0.614	0.341	-
1250	0.705	12.65	0.393	0.218	-
1500	0.603	18.21	0.273	-	-
1750	0.568	24.79	-	-	-
2000	0.497	32.38	-	-	-

Part No.	Length (m)		Form	Form	Form
P2000T	3	6	PO	PG	HG
P4000T10	-	-	-	-	-

Stated loadings apply to mild steel products only.

# Atkore

## Unistrut

# Unistrut N5000

$a = 5.06 \text{ cm}$   
 $\Delta/m = 4.05 \text{ kg/m}$   
 $I_{yy} = 37.76 \text{ cm}^4$   
 $Z_{yy} = 9.01 \text{ cm}^3$   
 $r_{yy} = 2.72 \text{ cm}$   
 $I_{zz} = 16.95 \text{ cm}^4$   
 $Z_{zz} = 8.21 \text{ cm}^3$   
 $r_{zz} = 1.82 \text{ cm}$

**N5000T**

PG HG

Length	Dimensions		F <sub>max</sub>	F <sub>min</sub>	F <sub>act</sub>
	Height	Width			
250	-	-	-	-	13.620
500	-	-	-	-	10.395
750	12.506	0.69	-	-	16.422
1000	9.447	1.00	-	-	10.622
1250	7.554	2.48	-	-	10.124
1500	6.298	3.98	-	-	8.962
1750	5.395	4.86	-	-	6.769
2000	4.719	6.36	-	4.120	5.719
2250	4.159	8.05	-	3.257	4.934
2500	3.777	10.08	-	2.639	4.326
2750	3.434	12.00	-	2.178	3946
3000	3.140	14.31	-	1.834	3.453

$a = 10.12 \text{ cm}$   
 $\Delta/m = 8.11 \text{ kg/m}$   
 $I_{yy} = 243.16 \text{ cm}^4$   
 $Z_{yy} = 29.44 \text{ cm}^3$   
 $r_{yy} = 4.90 \text{ cm}$   
 $I_{zz} = 33.60 \text{ cm}^4$   
 $Z_{zz} = 16.42 \text{ cm}^3$   
 $r_{zz} = 1.83 \text{ cm}$

**N5001T**

PG HG

Length	Dimensions		F <sub>max</sub>	F <sub>min</sub>	F <sub>act</sub>
	Height	Width			
250	-	-	-	-	34.266
500	-	-	-	-	34.029
750	-	-	-	-	33.621
1000	-	-	-	-	33.432
1250	34.535	1.25	-	-	32.564
1500	20.444	1.80	-	-	32.010
1750	17.521	2.45	-	-	30.764
2000	15.333	3.20	-	-	29.195
2250	13.624	4.05	-	-	27.350
2500	12.263	5.00	-	-	25.467
2750	11.104	6.05	-	-	23.013
3000	10.222	7.21	-	-	21.847

PG HG  
Spot Welded

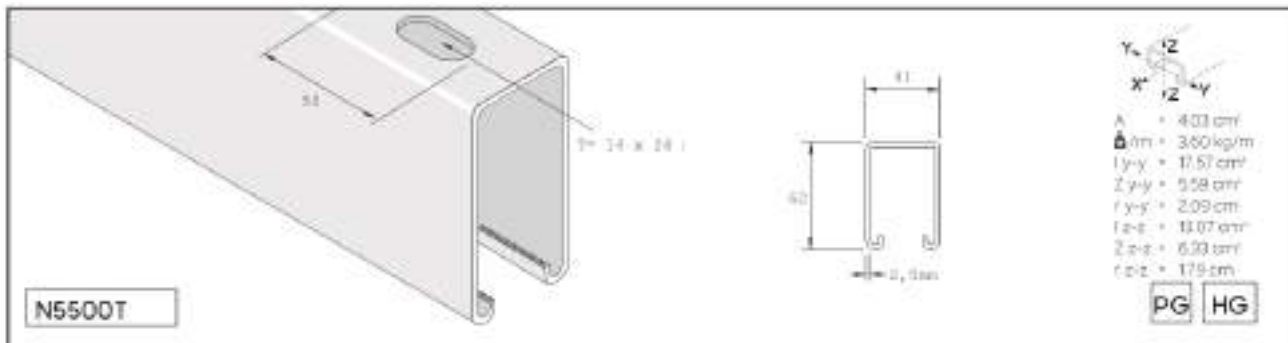
Part No.	Length (m)		Grade
P5000T	3	6	PG HG
P5001T	-	-	-

Stated loadings apply to mild steel products only.

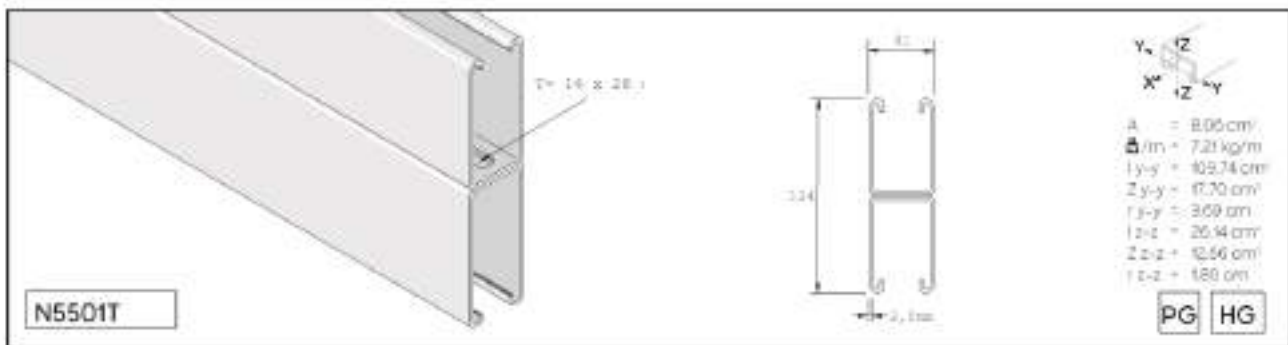
Metal Framing



# Unistrut N5500



Length L (mm)	P		F <sub>Yield</sub> F (kN)	F <sub>Tens</sub> F (kN)	E <sub>ult</sub> mm
	F <sub>Yield</sub> F (kN)	F <sub>Tens</sub> F (kN)			
250	-	-	-	-	20.777
500	-	-	-	-	20.081
750	9.028	1.50	-	-	18.443
1000	7.446	2.67	-	-	18.245
1250	5.955	4.18	-	4.944	12.557
1500	4.964	6.00	-	3.494	10.507
1750	4.248	8.15	-	2.621	8.966
2000	3.718	10.70	3.473	1.923	7.789
2250	3.335	13.55	2.747	1.521	6.897
2500	2.972	16.73	2.287	1.236	6.141
2750	2.708	20.24	1.834	1.020	5.543
3000	2.482	24.09	1.540	0.855	5.042



Length L (mm)	P		F <sub>Yield</sub> F (kN)	F <sub>Tens</sub> F (kN)	E <sub>ult</sub> mm
	F <sub>Yield</sub> F (kN)	F <sub>Tens</sub> F (kN)			
250	-	-	-	-	34.747
500	-	-	-	-	34.590
750	-	-	-	-	34.257
1000	-	-	-	-	33.766
1250	-	-	-	-	32.971
1500	15.745	3.02	-	-	31.677
1750	13.459	4.18	-	-	29.822
2000	11.811	5.47	-	-	27.674
2250	10.497	6.92	-	9.476	25.457
2500	9.477	8.54	-	7.671	23.295
2750	8.584	10.34	-	6.337	21.268
3000	7.899	12.30	-	5.387	19.443

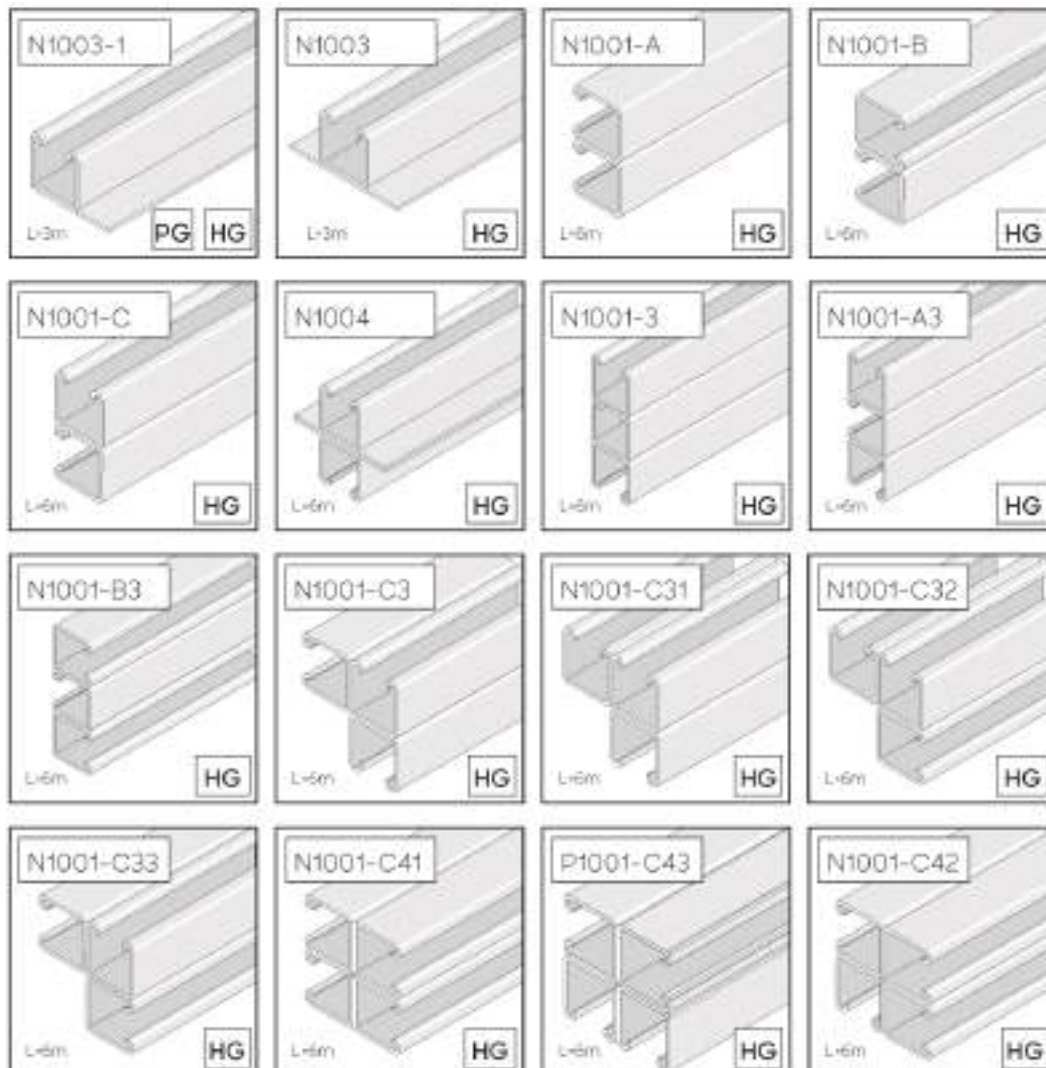
Part No.	Length (ft)		Finish	
	3	6	PG	HG
N5500T	-	-	-	-
N5501T	-	-	-	-

Stated loadings apply to mild steel products only.  
Spot welded unless otherwise noted.

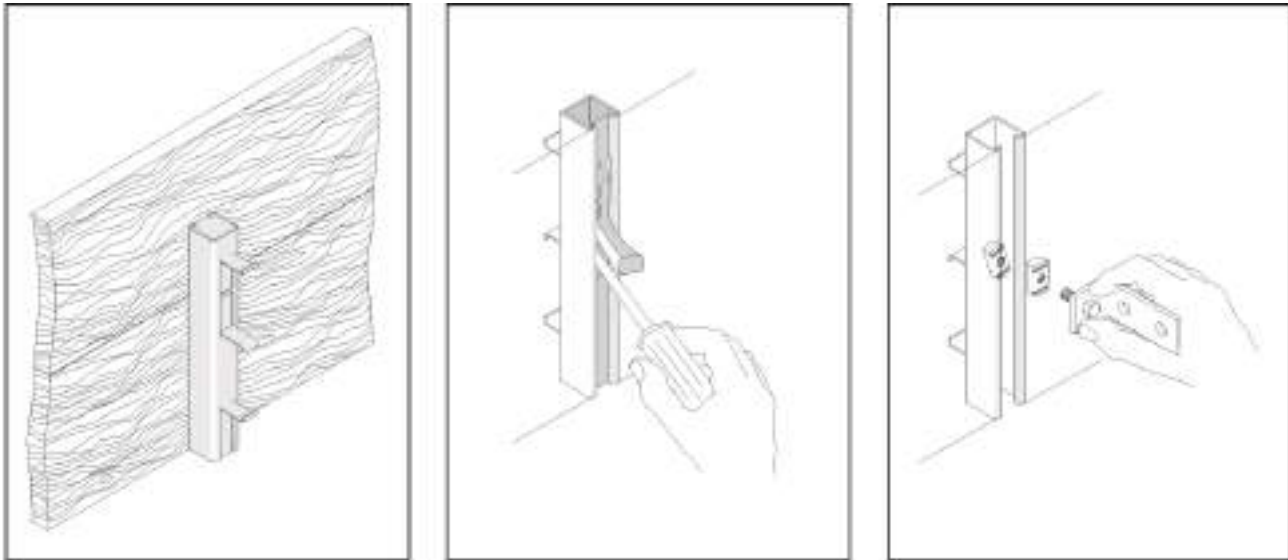
Metal Framing

## Unistrut N1000 Special Channels

P1000 Special Channels require a minimum order quantity



## Concrete Inserts



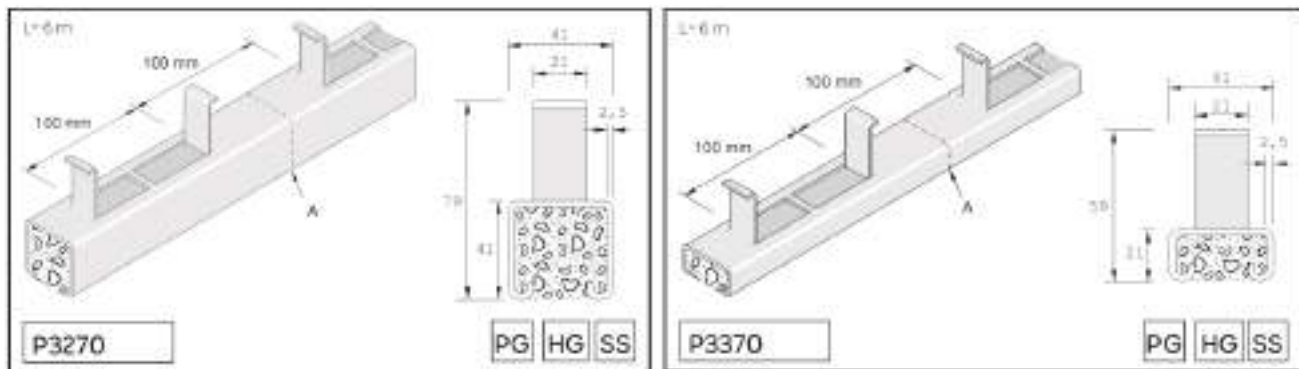
### Concrete Inserts

Unistrut concrete inserts are manufactured from the standard Unistrut channel and may be installed in floors, walls, or ceilings for the support of all types of piping, conduit, cable support, and other industrial equipment.

Unistrut channel nuts can be positioned anywhere along the length of the channel, providing a means of attaching fittings or rods where required.

Unistrut inserts are available pre-filled with an easily removable foam to prevent the ingress of grout and cement.

Concrete inserts can be supplied in pre galvanized, hot dip galvanized and stainless steel finishes.



P3270 inserts are designed to accommodate M6, M8, M10, M12 & M16 fixings. Cutting positions are located between lugs as indicated (A) in increments of 200mm.

The recommended loading in average strength concrete\* with a safety factor of 3, is:

Part No.	Force	Length
P3270	8.5kN	300mm

\*B = 25 N/mm<sup>2</sup>

P3370 inserts are designed to accommodate M6, M8, M10 & M12 fixings. Cutting positions are located between lugs as indicated (A) in increments of 200mm.

The recommended loading in average strength concrete\* with a safety factor of 3, is:

Part No.	Force	Length
P3370	6.7kN	300mm

\*B = 25 N/mm<sup>2</sup>

Stated loadings apply to mild steel products only.

**Unistrut Channel Nuts**

Metal Framing

Suitable for P1000, P2000 & P3270



**PNL06-PNL12A**      ZP HG SS

Part No.	Finish	Thread	Thread Size	Δ (mm)	Qty
PNL06	-	-	M6	2.26	100
PNL08	-	-	M8	3.53	100
PNL10	-	-	M10	3.95	100
PNL12	-	-	M12	4.78	100
PNL12A	-	-	M12	3.43	100

Suitable for P3300, P4000 & P3370



**PNS06-PNS12A**      ZP HG SS

Part No.	Finish	Thread	Thread Size	Δ (mm)	Qty
PNS06	-	-	M6	3.1	100
PNS08	-	-	M8	3.6	100
PNS10	-	-	M10	3.9	100
PNS12A	-	-	M12	3.6	100

Suitable for P1000, P2000, P3300, P4000, P5000, P5500, P3270 & P3370



**PNP06-PNP12A**      ZP HG SS

Part No.	Finish	Thread	Thread Size	Δ (mm)	Qty
PNP06	-	-	M6	3.1	100
PNP08	-	-	M8	3.40	100
PNP10	-	-	M10	3.00	100
PNP12*	-	-	M12	4.68	100
PNP12A	-	-	M12	3.43	100

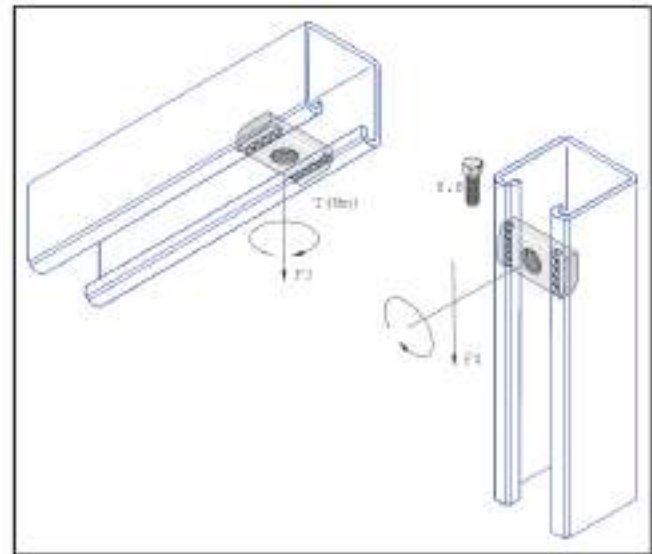
\* PNP12 is not suitable for unistrut channels P3300, P4000 & P3370

Suitable for P1000, P5000, P5500 & P3270



**PNP16**      ZP

Part No.	Finish	Thread	Thread Size	Δ (mm)	Qty
PNP16*	-	-	M16	6.00	100



Part No.	Part No.	T (mm)	F1 (mm)
P1000 41	PNP06	6	4.70
	PNP08	28	5.28
	PNP10	55	6.26
	PNP12	70	6.62
	PNP16	125	10.30
P3300 41	PNP06*	25	6.62
	PNP06	6	4.70
	PNP08	28	5.28
	PNP10	55	6.26
	PNP12A	60	6.66
P4000 41	PNP06*	25	6.62
	PNP06	6	3.33
	PNP08	28	3.53
	PNP10	40	3.92
	PNP12A	60	4.41

Part No.	Part No.	T (mm)	F1 (mm)
P1000 41	PNP06	65	2.45
	PNP08	36	4.41
	PNP10	315	6.26
	PNP12A	55	6.86
P3300 41	PNP16	125	10.30
	PNP06	65	2.45
	PNP08	36	4.41
P5000 41	PNP10	315	6.86
	PNP12A	55	6.80

\* PNP12 is not forged



# Unistrut Stud Nuts

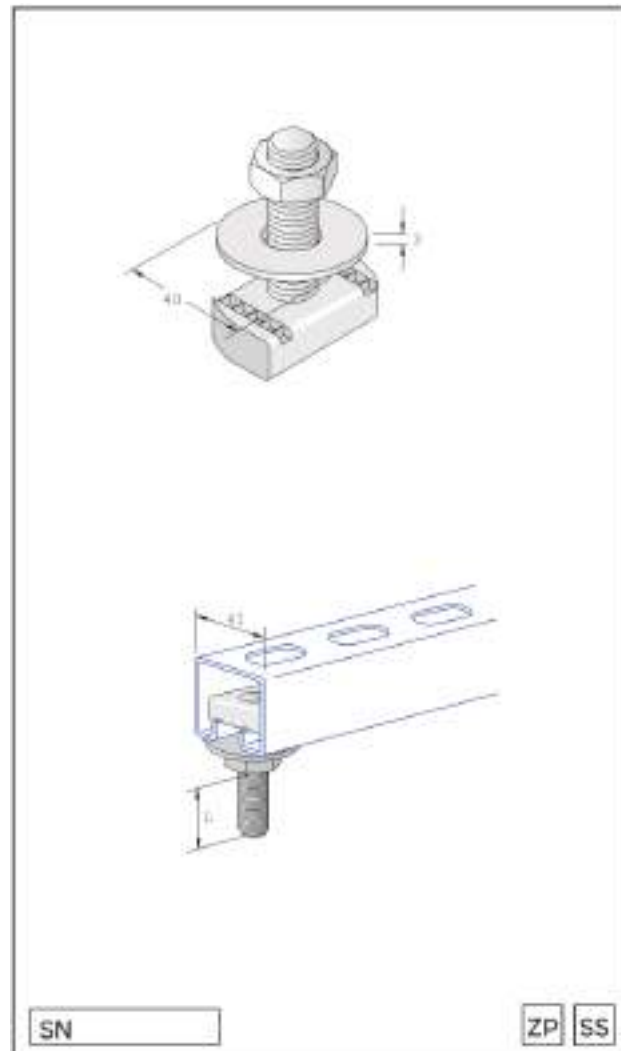
Part No.	Finish		L	QTY
	ZP	SS		
M6X30SN	-	-	15.5mm	100

Part No.	Finish		L	QTY
	ZP	SS		
M6X30SN	-	-	15.5mm	100
M6X40SN	-	-	25.5mm	100
M6X50SN	-	-	35.5mm	100
M6X60SN	-	-	45.5mm	100
M6X75SN	-	-	60.5mm	100
M6X100SN	-	-	85.5mm	100

Part No.	Finish		L	QTY
	ZP	SS		
M6X30SN	-	-	19mm	100
M6X40SN	-	-	23mm	100
M6X50SN	-	-	33mm	100
M6X60SN	-	-	43mm	100
M6X75SN	-	-	60mm	100
M6X100SN	-	-	83mm	100

Part No.	Finish		L	QTY
	ZP	SS		
M12X30SN	-	-	19mm	100
M12X40SN	-	-	23mm	100
M12X50SN	-	-	33mm	100
M12X60SN	-	-	43mm	100
M12X75SN	-	-	59mm	100
M12X100SN	-	-	81mm	100

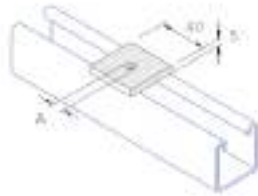
Part No.	Finish		L	QTY
	ZP	SS		
M6X635N*	-	-	40mm	100
M6X1025N*	-	-	70mm	100



\* Hot forged

Metal Framing

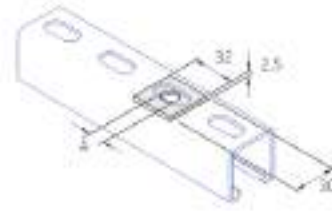
**Unistrut Flat Fittings**



P1019 / P1020

HG SS

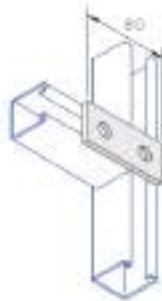
Part No.	Finish	SS	Length (mm)	Ø	Weight (kg)
P1019	-	-	8	M6/M8	0.06
P1020	-	-	8	M10/M12	0.06



P1063/06 - P1063/12

PG SS

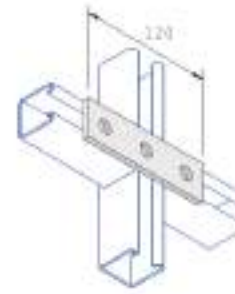
Part No.	Finish	SS	Length (mm)	Ø	Weight (kg)
P1063/06	-	-	8	M6	0.02
P1063/06	-	-	10	M8	0.02
P1063/10	-	-	12	M10	0.02
P1063/12	-	-	14	M12	0.02



P1065

HG SS

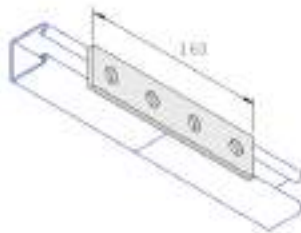
Part No.	Finish	SS	Length (mm)	Ø	Weight (kg)
P1065	-	-	8	0.17	20



P1066

HG SS

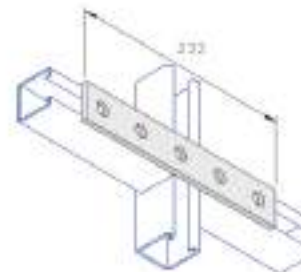
Part No.	Finish	SS	Length (mm)	Ø	Weight (kg)
P1066	-	-	0.25	20	



P1067

HG SS

Part No.	Finish	SS	Length (mm)	Ø	Weight (kg)
P1067	-	-	0.25	20	



P1941

HG SS

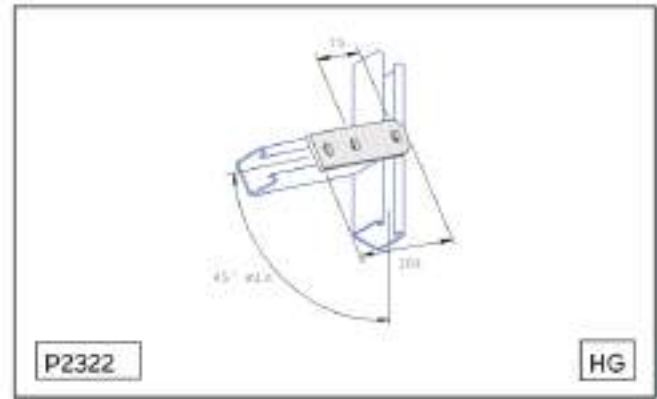
Part No.	Finish	SS	Length (mm)	Ø	Weight (kg)
P1941	-	-	0.43	20	



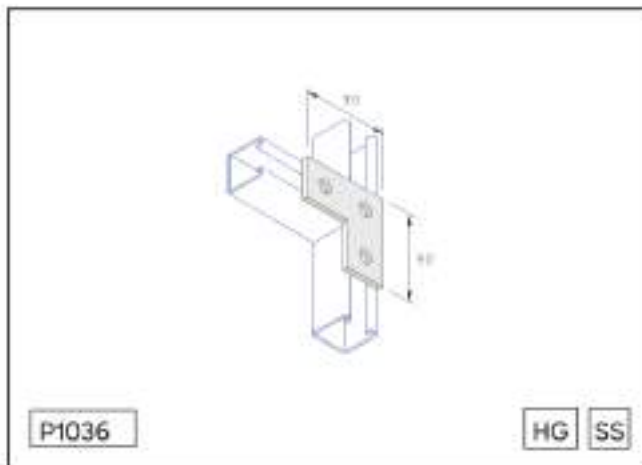
# Unistrut Flat Fittings



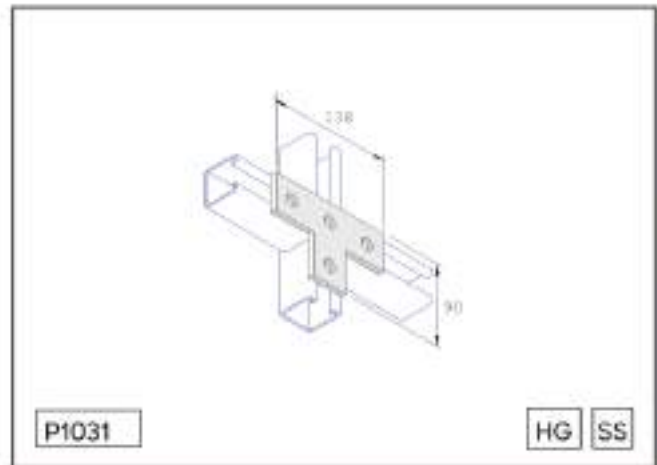
Part No.	Finish	Length	W	Ø	QTY
P1062T	PG	8	100	3.0	100
P1062AT	-	10	100	3.0	100
P1063T	-	12	100	3.0	100
P1064T	-	14	100	3.0	100



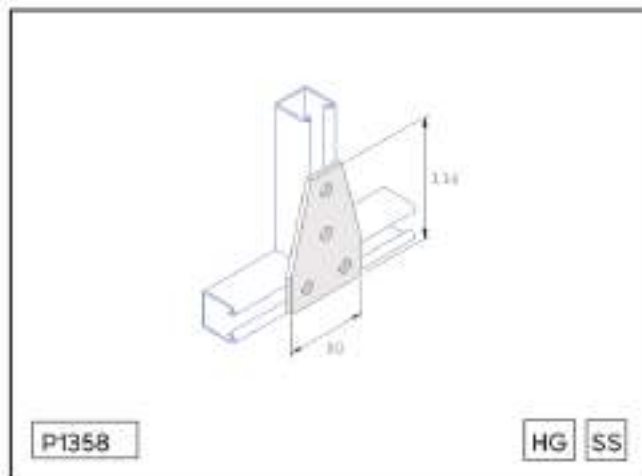
Part No.	Finish	Ø	QTY
P2322	HG	0.34	25



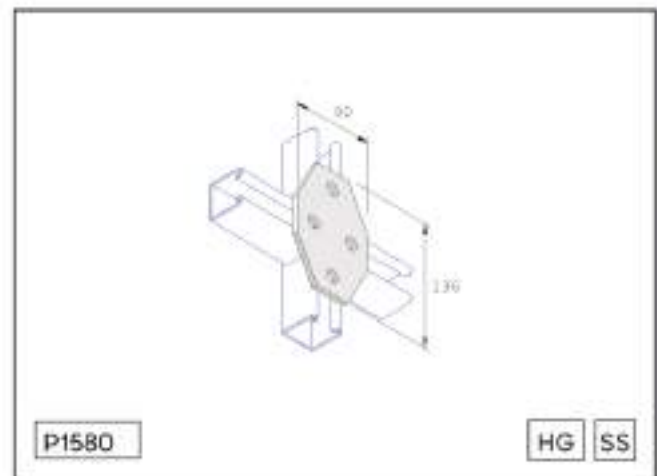
Part No.	Finish	Ø	QTY
P1036	HG	SS	0.20 25



Part No.	Finish	Ø	QTY
P1031	HG	SS	0.36 25



Part No.	Finish	Ø	QTY
P1358	HG	SS	0.48 50



Part No.	Finish	Ø	QTY
P1580	HG	SS	0.37 50

Metal Framing

## Unistrut Angle Fittings

Metal Framing

**P1546, P2095 & P2097**      **HG** **SS**

Part No.	Finish		A°	Δ	ZP
	HG	SS			
P1546	-	-	45°	0.26	25
P2097	-	-	60°	0.26	25
P2095	-	-	75°	0.26	25

**P2101 & P2103**      **HG**

Part No.	Finish		A°	Δ	ZP
	HG	SS			
P2101	-	-	30°	0.26	25
P2103	-	-	15°	0.36	25

**P1186, P2106 & P2108**      **HG** **SS**

Part No.	Finish		A°	Δ	ZP
	HG	SS			
P1186	-	-	45°	0.26	25
P2106	-	-	75°	0.26	25
P2108	-	-	60°	0.26	25

**P2815S**      **ZP**

Part No.	Finish		Δ	ZP
	HG	SS		
P2815S	-	-	15.1	10

**P1354**      **ZP**

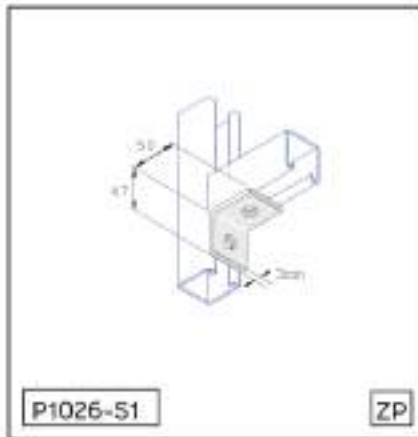
Part No.	Finish		Δ	ZP
	HG	SS		
P1354	-	-	0.45	20

**P1074**      **HG** **SS**

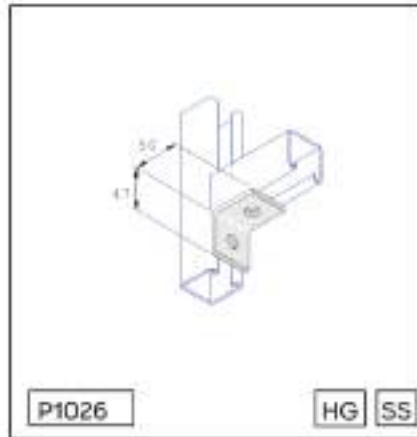
Part No.	Finish		Δ	ZP
	HG	SS		
P1074	-	-	0.35	25



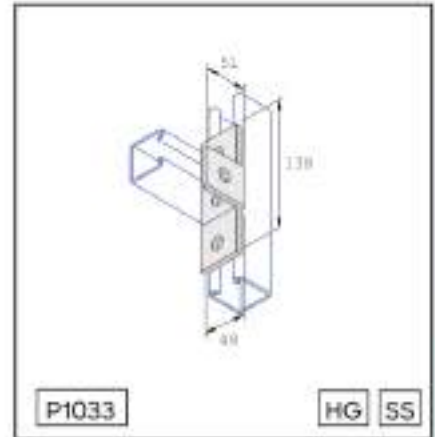
# Unistrut Angle Fittings



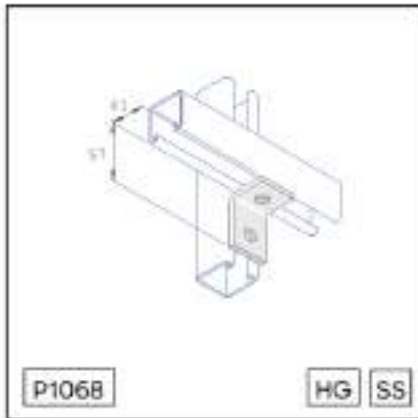
Part No.	Finish	Load	Length
P1026-S1	ZP	0.07	100



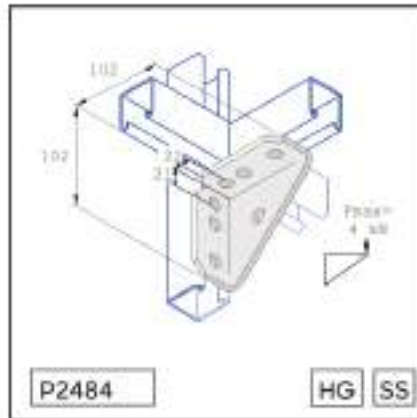
Part No.	Finish	Load	Length
P1026	HG SS	0.07	100



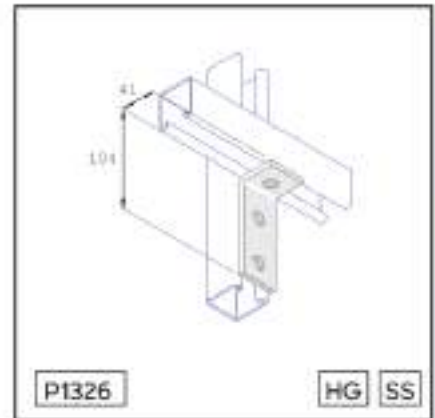
Part No.	Finish	Load	Length
P1033	HG SS	0.26	25



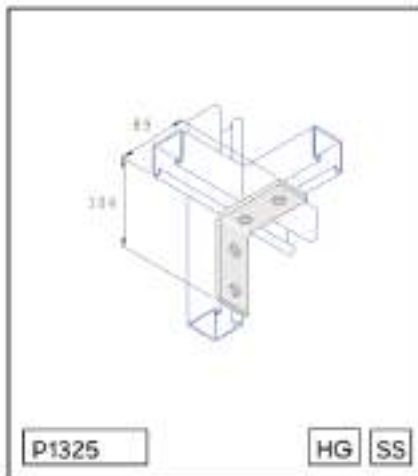
Part No.	Finish	Load	Length
P1068	HG SS	0.17	25



Part No.	Finish	Load	Length
P2484	HG SS	0.61	10



Part No.	Finish	Load	Length
P1326	HG SS	0.26	25

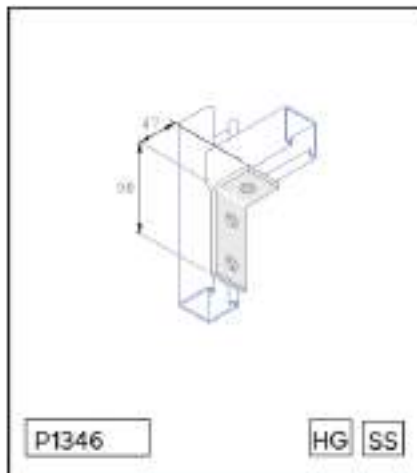


Part No.	Finish	Load	Length
P1325	HG SS	0.35	25

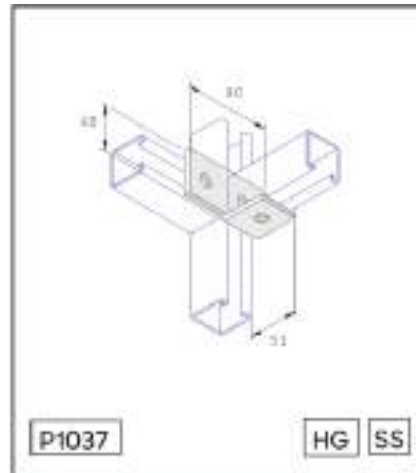
Stated loadings apply to mild steel products only.



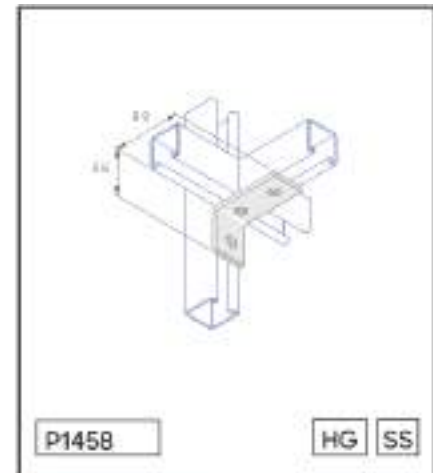
## 90° Angle Fittings



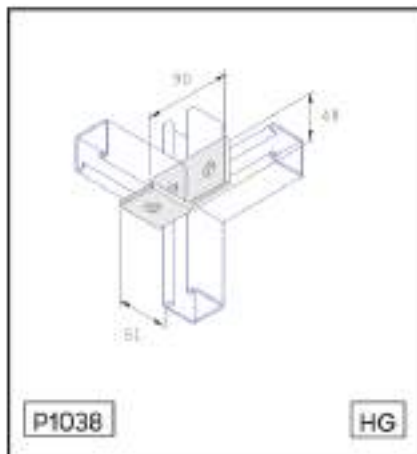
Part No.	Finish	Load	Depth
P1346	HG	SS	0.26 25



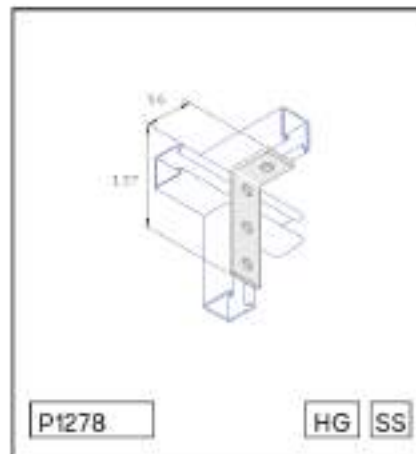
Part No.	Finish	Load	Depth
P1037	HG	SS	0.26 25



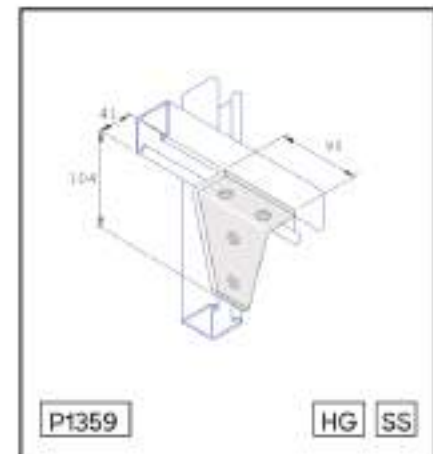
Part No.	Finish	Load	Depth
P1458	HG	SS	0.26 25



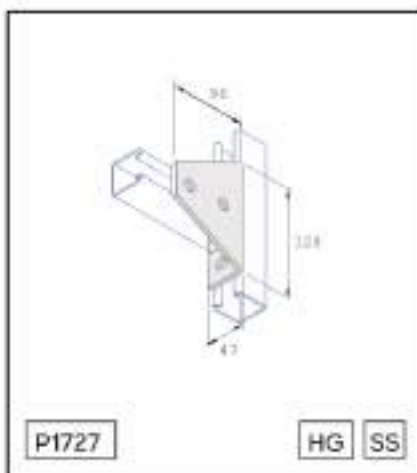
Part No.	Finish	Load	Depth
P1038	HG		0.26 25



Part No.	Finish	Load	Depth
P1278	HG	SS	0.26 25



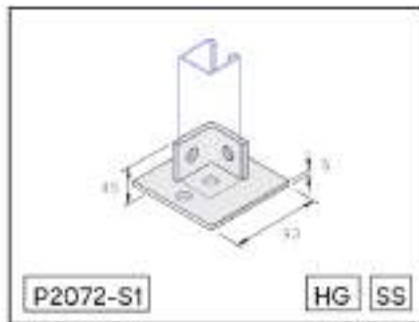
Part No.	Finish	Load	Depth
P1359	HG	SS	0.48 25



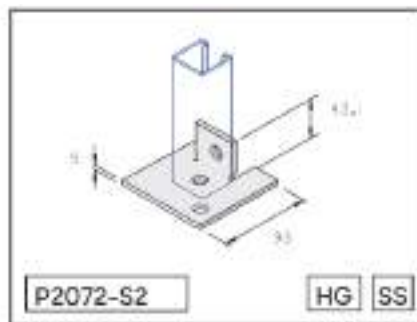
Part No.	Finish	Load	Depth
P1727	HG	SS	0.79 10

Stated loadings apply to mild steel products only.

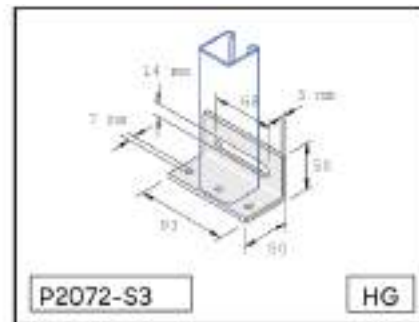
# Base Fittings & Wing Fittings



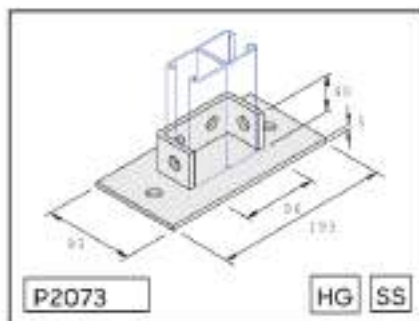
Part No.	Finish	Δ	⊞
P2072-S1	-	-	0.45 40



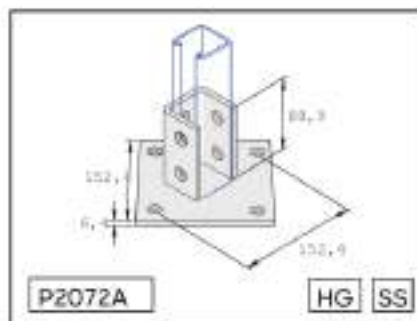
Part No.	Finish	Δ	⊞
P2072-S2	-	-	0.35 30



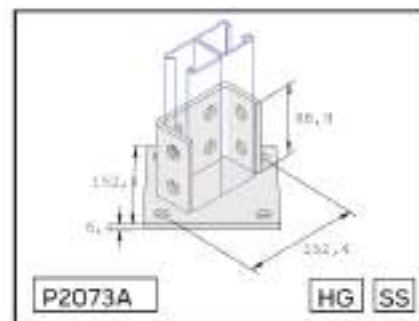
Part No.	Finish	Δ	⊞
P2072-S3	-	-	0.30 30



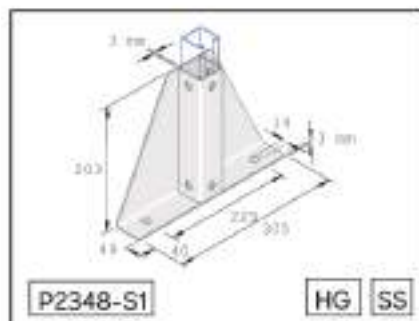
Part No.	Finish	Δ	⊞
P2073	-	-	0.90 30



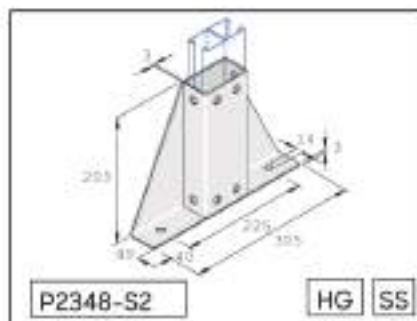
Part No.	Finish	Δ	⊞
P2072A	-	-	1.70 30



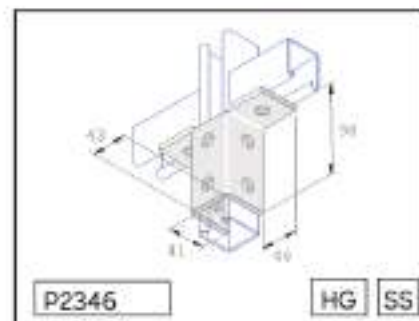
Part No.	Finish	Δ	⊞
P2073A	-	-	1.00 30



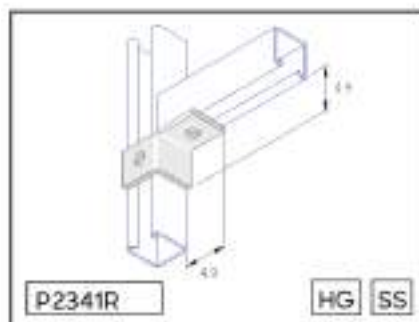
Part No.	Finish	Δ	⊞
P2348-S1	-	-	1.95 1



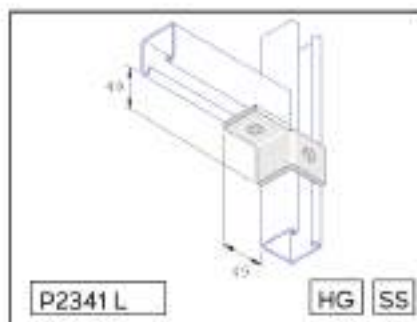
Part No.	Finish	Δ	⊞
P2348-S2	-	-	2.15 1



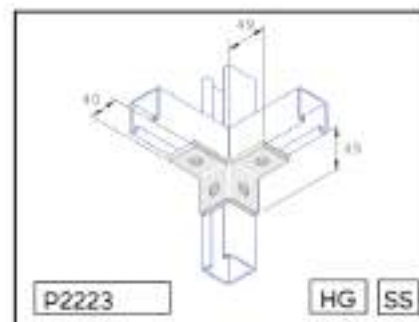
Part No.	Finish	Δ	⊞
P2346	-	-	0.68 30



Part No.	Finish	Δ	⊞
P2341R	-	-	0.21 25



Part No.	Finish	Δ	⊞
P2341L	-	-	0.21 25

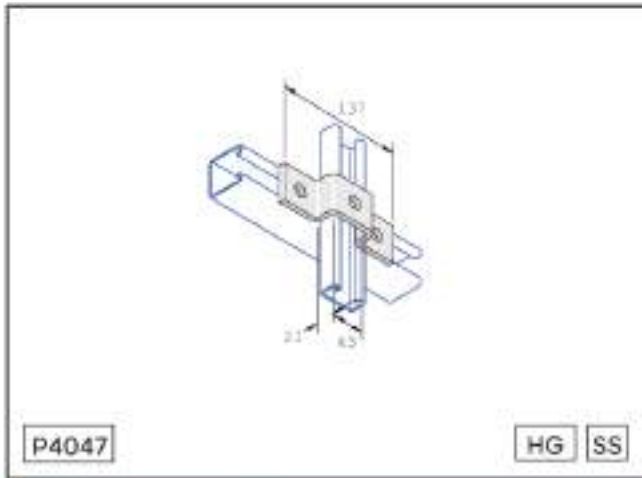


Part No.	Finish	Δ	⊞
P2223	-	-	0.35 25

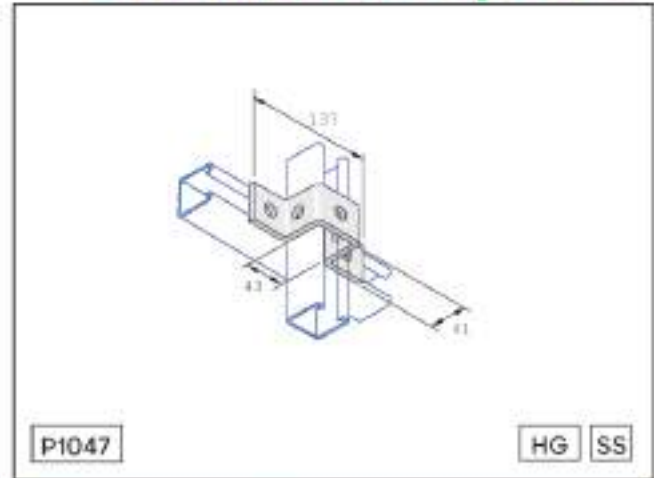
Metal Framing

## U & Z Fittings & Channel Couplers

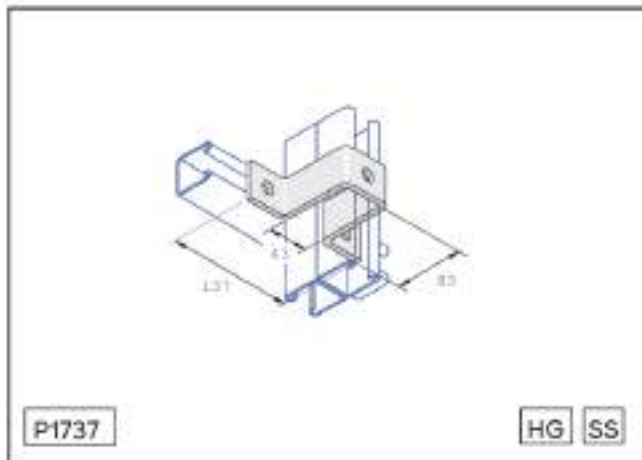
Metal Framing



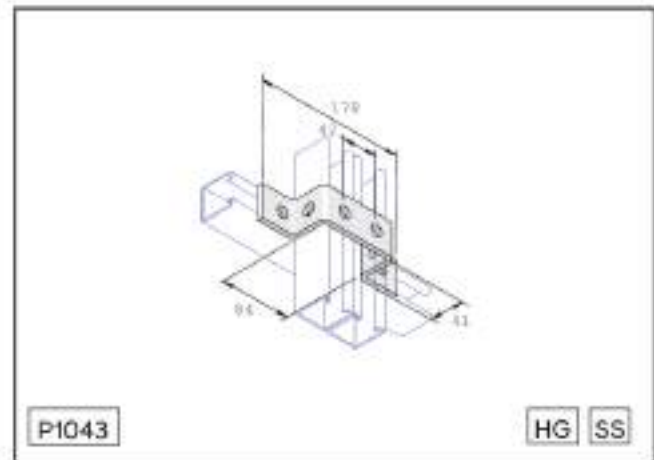
Part No.	Finish	SS	Δ	📄
P4047	-	-	0.32	25



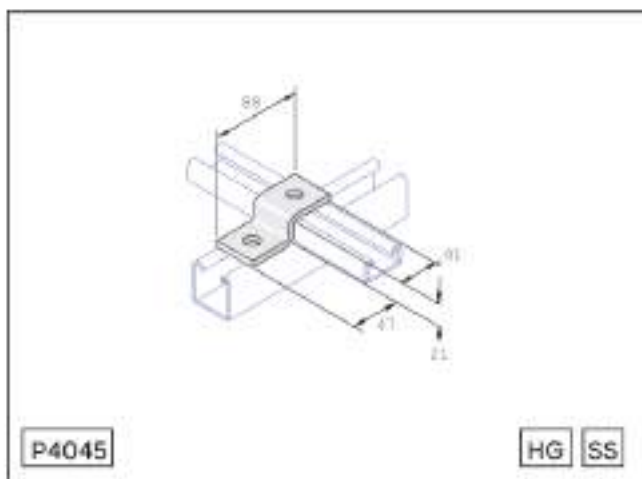
Part No.	Finish	SS	Δ	📄
P1047	-	-	0.40	25



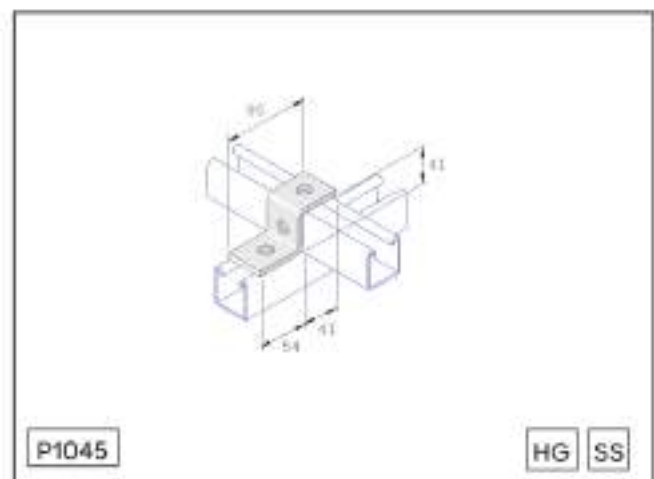
Part No.	Finish	SS	Δ	📄
P1737	-	-	0.58	10



Part No.	Finish	SS	Δ	📄
P1043	-	-	0.48	20



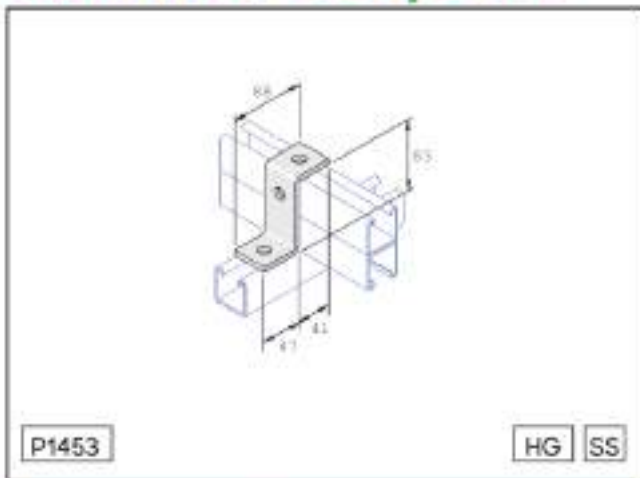
Part No.	Finish	SS	Δ	📄
P4045	-	-	0.21	50



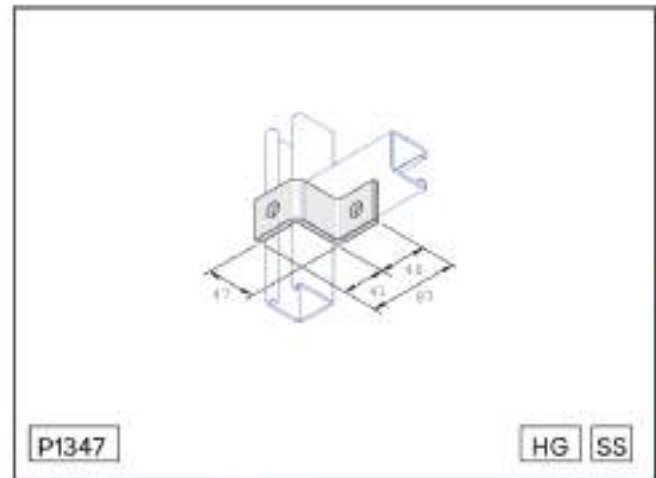
Part No.	Finish	SS	Δ	📄
P1045	-	-	0.25	25



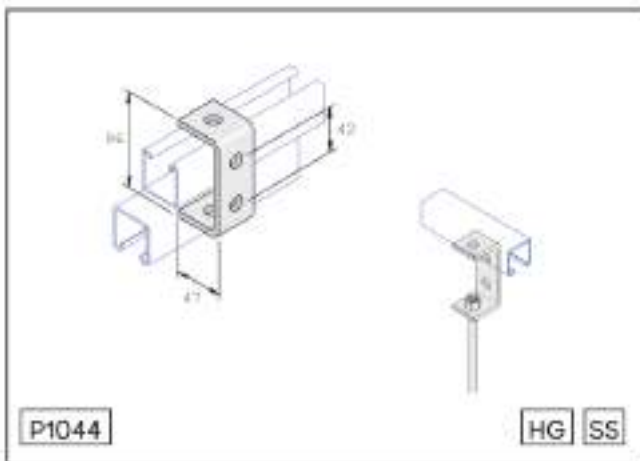
# U & Z Fittings & Channel Couplers



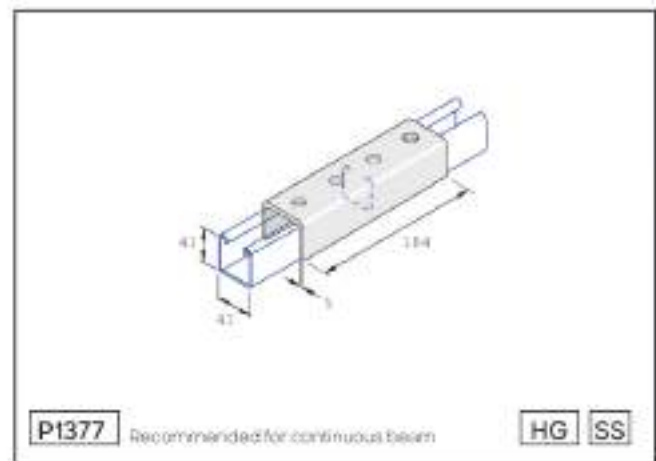
Part No.	Finish	δ	Icon
P1453	-	0.32	25



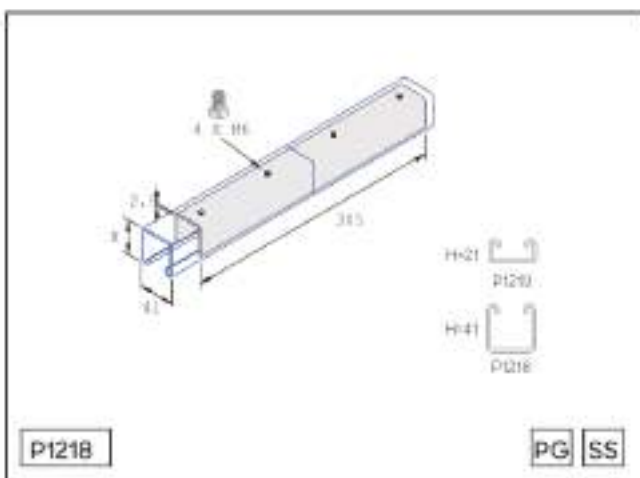
Part No.	Finish	δ	Icon
P1347	-	0.25	25



Part No.	Finish	δ	Icon
P1044	-	0.32	25



Part No.	Finish	δ	Icon
P1377	-	0.20	12



Part No.	Finish	δ	Icon
P1218	-	0.50	10

Metal Framing

**Beam Clamps**

Metal Framing

\* Used in pair

Loadings are per beam clamp and used in pairs.  
Mild steel U-bolts are zinc plated.

**P2785 - P2787**      **HG SS**

Part No.	Finish	W (mm)	H (mm)	Wt (kg)	QTY	
P2785	HG	30	21-41	86	0.31	25
P2786	-	-	43-63	127	0.32	25
P2787	-	-	124-164	209	0.43	25

P3087-P3087A - P3087B

Apply load in one direction only.  
Mild steel cone pointed screws are zinc plated.

**P3087**      **HG SS**

Part No.	Finish	Wt (kg)	QTY	
P3087	-	-	0.67	50

**Z10**      **ZP**

Part No.	Finish	Wt (kg)	QTY	
Z10	-	-	0.06	100

**P1983**      **HG SS**

Part No.	Finish	Wt (kg)	QTY	
P1983	-	-	0.30	50

**P1386-S1**      **ZP**

Part No.	Finish	Wt (kg)	QTY	
P1386-S1	-	-	0.042	75

\* Used in pair

**P1386**      **HG SS**

Part No.	Finish	Wt (kg)	QTY	
P1386	-	-	0.042	75

Stated loadings apply to mild steel products only.





# Beam Clamps

\* Used in pair

**P2489** **HG**

Part No.	Finish	SS	⚠	🛒
P2489	HG	-	0.30	10

\* Used in pair

**P1796-A** **HG** **SS**

Part No.	Finish	SS	⚠	🛒
P1796-A	HG	SS	0.35	10

\* Used in pair

**P1796** **HG** **SS**

Part No.	Finish	SS	⚠	🛒
P1796	HG	SS	0.30	10

\* Used in pair

**P1796-B** **HG** **SS**

Part No.	Finish	SS	⚠	🛒
P1796-B	HG	SS	0.50	8

\* Used in pair

**P1271** **HG** **SS**

Part No.	Finish	SS	⚠	🛒
P1271	HG	SS	0.60	10

\* Used in pair

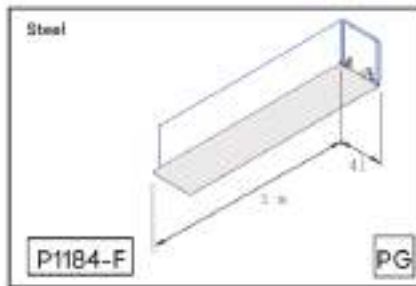
**P1272** **HG** **SS**

Part No.	Finish	SS	⚠	🛒
P1272	HG	SS	0.15	50

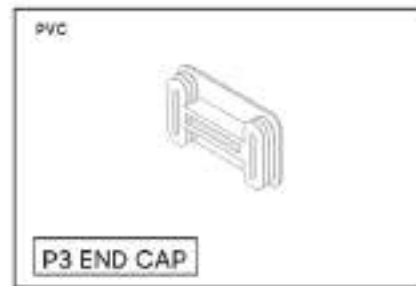
Stated loadings apply to mild steel products only.

Metal Framing

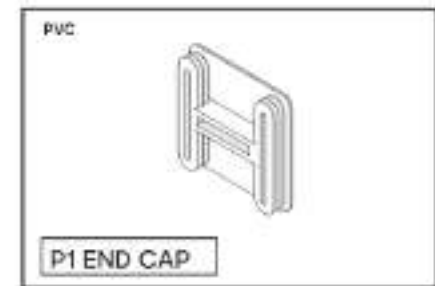
## Channel Fittings



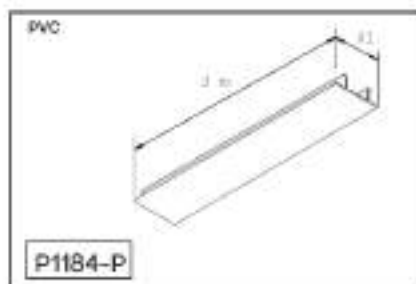
Part No.	Colour	Ø	Wt
P1184-F		107	1



Part No.	Part No.	Part No.	Ø	Wt
Blue	White	Black		
139-21-95	139-21-96	139-21-97	4x21	0.3

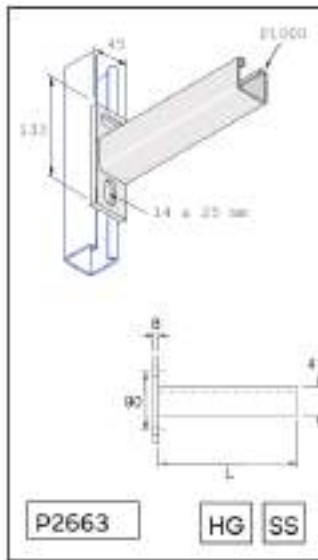


Part No.	Part No.	Part No.	Ø	Wt
Blue	White	Black		
132-41-25	132-41-26	132-41-27	4x41	0.5

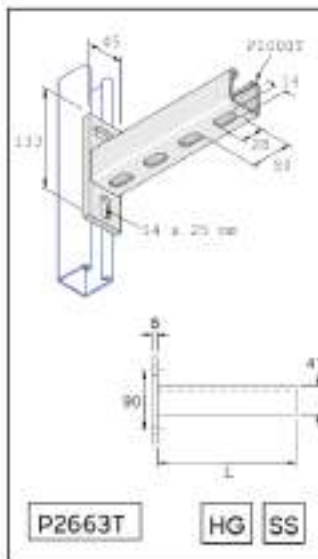


Part No.	Colour	Ø	Wt
P1184-PW	White	0.48	1
P1184-PB	Black	0.48	1

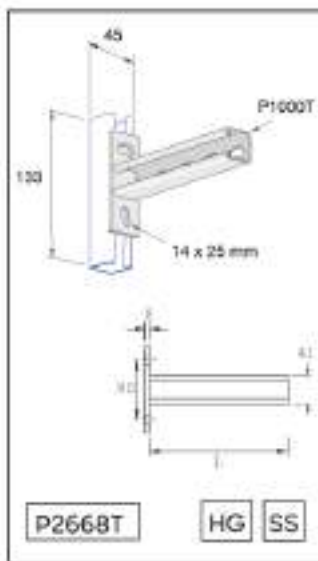
# Cantilever Arms



Part No.	Finish			L (mm)	Loadings (kN)			
	HG	SS	ZR		1	2	3	4
P2663/150	-	-	0.77	150	0.20	3.10	3.10	2.00
P2663/300	-	-	1.20	300	3.20	1.60	1.60	1.06
P2663/450	-	-	1.63	450	2.45	1.07	1.07	0.71
P2663/600	-	-	2.07	600	1.62	0.81	0.81	0.54
P2663/750	-	-	2.50	750	1.20	0.65	0.65	0.43



Part No.	Finish			L (mm)	Loadings (kN)			
	HG	SS	ZR		1	2	3	4
P2663T/150	-	-	0.75	150	0.12	3.06	3.06	2.04
P2663T/300	-	-	1.16	300	3.06	1.53	1.53	1.02
P2663T/450	-	-	1.57	450	2.04	1.00	1.00	0.66
P2663T/600	-	-	1.98	600	1.53	0.76	0.76	0.50
P2663T/750	-	-	2.39	750	1.22	0.61	0.61	0.40

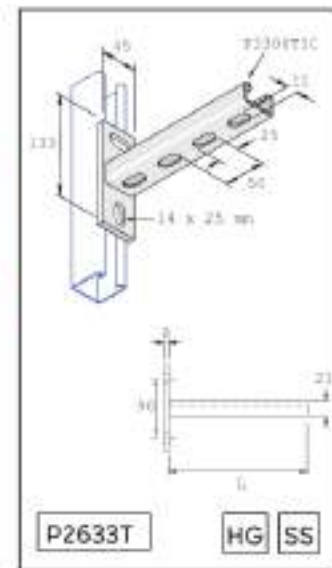


Part No.	Finish			L (mm)	Loadings (kN)			
	HG	SS	ZR		1	2	3	4
P2668T/150	-	-	0.75	150	0.20	3.10	3.10	2.06
P2668T/300	-	-	1.16	300	3.20	1.60	1.60	1.06
P2668T/450	-	-	1.57	450	2.45	1.07	1.07	0.71
P2668T/600	-	-	1.98	600	1.62	0.81	0.81	0.54

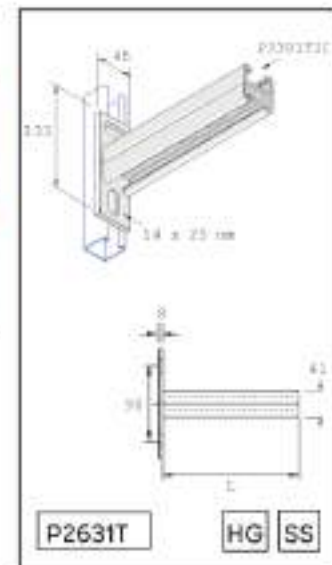
Loadings indicated are only applicable when 2 fixings per cantilever arms are used. Stated loadings apply to mild steel products only.

## Cantilever Arms

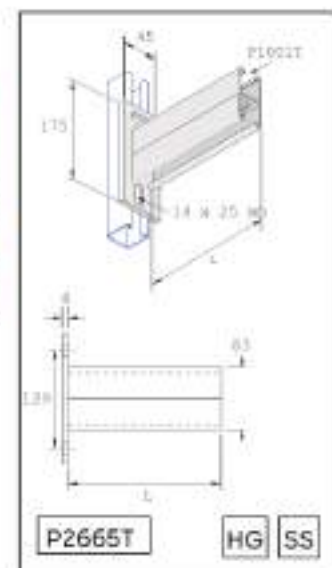
Part No.	Finish	W1	W2	L (mm)	UDL	Point	2-Point	3-Point
P2633T/150	-	-	0.00	150	1.14 kN	0.97 kN	0.97 kN	0.64 kN
P2633T/300	-	-	0.07	300	1.00 kN	0.50 kN	0.50 kN	0.33 kN
P2633T/450	-	-	1.13	450	0.67 kN	0.33 kN	0.33 kN	0.22 kN



Part No.	Finish	W1	W2	L (mm)	UDL	Point	2-Point	3-Point
P2631T/150	-	-	0.07	150	5.95 kN	2.97 kN	2.97 kN	1.98 kN
P2631T/300	-	-	1.40	300	3.07 kN	1.53 kN	1.53 kN	1.02 kN
P2631T/450	-	-	1.33	450	2.06 kN	1.03 kN	1.03 kN	0.68 kN
P2631T/600	-	-	2.46	600	1.56 kN	0.78 kN	0.78 kN	0.52 kN
P2631T/750	-	-	2.90	750	1.25 kN	0.62 kN	0.62 kN	0.41 kN

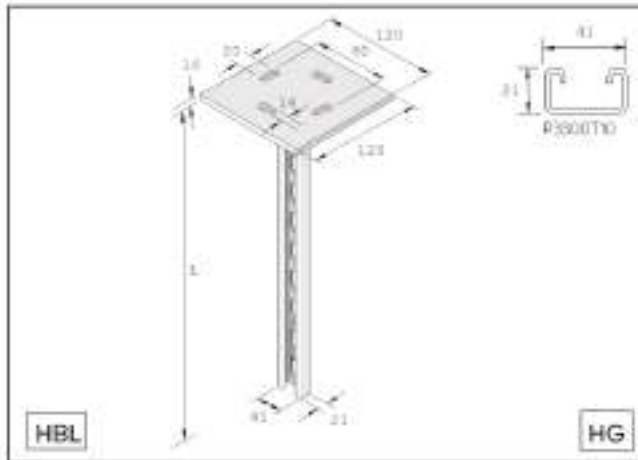


Part No.	Finish	W1	W2	L (mm)	UDL	Point	2-Point	3-Point
P2665T/150	-	-	1.44	150	6.62 kN	4.41 kN	4.41 kN	2.94 kN
P2665T/300	-	-	2.21	300	4.47 kN	2.93 kN	2.93 kN	2.15 kN
P2665T/450	-	-	3.09	450	4.31 kN	2.85 kN	2.85 kN	1.43 kN
P2665T/600	-	-	3.72	600	3.23 kN	1.61 kN	1.61 kN	1.07 kN
P2665T/750	-	-	4.73	750	2.58 kN	1.29 kN	1.29 kN	0.86 kN

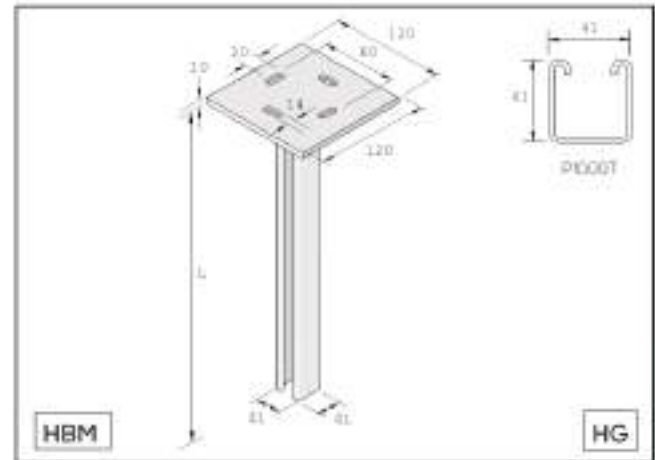


Loadings indicated are only applicable when 2 fixings per cantilever arms are used.  
Stated loadings apply to mild steel products only.

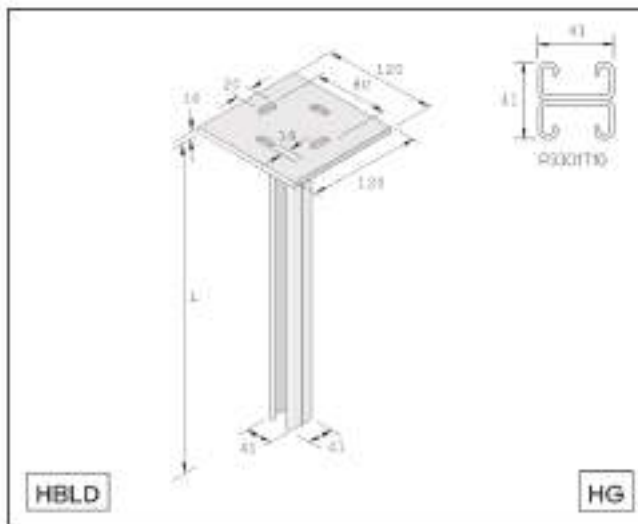
# Cantilever Arms



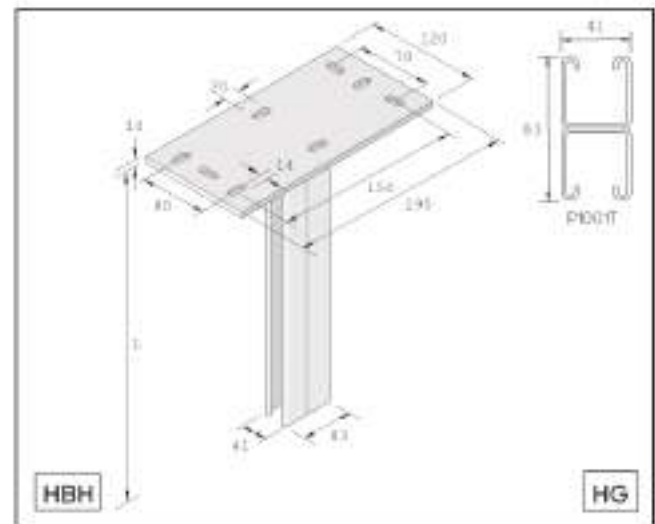
Part No.	Finish	Length	Ø
HBL/300	-	525	2.00
HBL/750	-	775	2.44
HBL/1000	-	1025	2.88
HBL/1250	-	1275	3.32



Part No.	Finish	Length	Ø
HBM/500	-	525	2.51
HBM/750	-	775	3.19
HBM/1000	-	1025	3.60
HBM/1250	-	1275	4.30



Part No.	Finish	Length	Ø
HBLD/500	-	525	2.93
HBLD/750	-	775	3.61
HBLD/1000	-	1025	4.70
HBLD/1250	-	1275	5.58
HBLD/1500	-	1525	6.46
HBLD/2000	-	2025	8.23



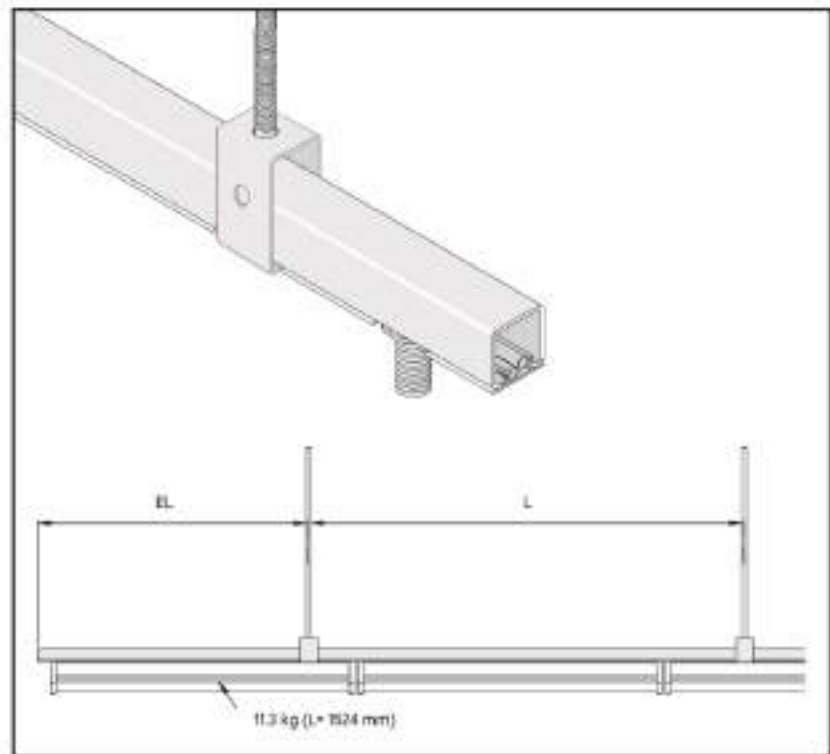
Part No.	Finish	Length	Ø
HBH/500	-	525	4.60
HBH/750	-	775	5.97
HBH/1000	-	1025	7.33
HBH/1250	-	1275	8.70
HBH/1500	-	1525	10.07
HBH/2000	-	2025	12.80



Metal Framing

# Fluorescent Lighting Supports & Fittings

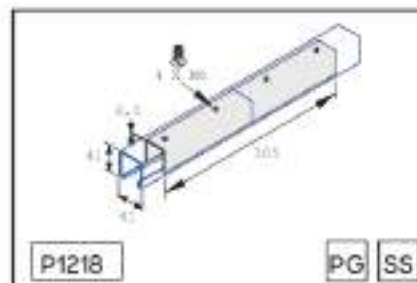
Part No.	L m	F mm	DL mm
P4000	2.5	8.8	0.6 - 0.8
P3000	2.5	7.1	0.6 - 0.8
P1000	2.5	1.3	0.6 - 0.8
P3301	3	3.6	0.8 - 1.0
P1001	3	2.5	0.8 - 1.0
P3301	3.5	7.0	0.8 - 1.2
P1001	3.5	4.0	0.8 - 1.2
P3301	4	12.3	1.0 - 1.4
P1001	4	8.6	1.0 - 1.4
P1001	4	2.3	1.0 - 1.4
P1000	4.5	13.3	1.2 - 1.5
P1001	4.5	3.5	1.2 - 1.5
P1001	5	5.2	1.4 - 1.7
P1001	6	11.7	1.5 - 1.8



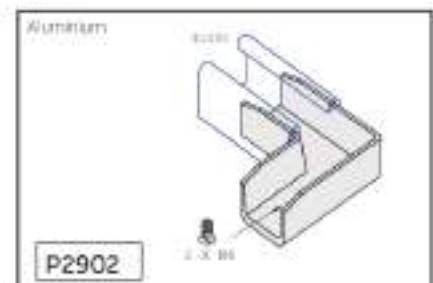
f = Deflection \*

\* Deflections are based on continuity of span assuming adequate lateral support and use of fixtures each weighing approximately 11.3kg and being 1524mm long. Joiner fittings should be positioned at one quarter span between supporting hangers. With fixtures having 600mm spacing results in a deflection of 70 - 80% of above value. 1200mm spacing results in a deflection of 50 - 60% of above value.

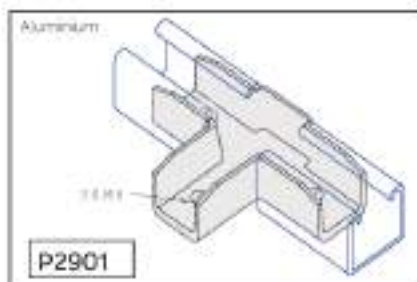
Metal Framing



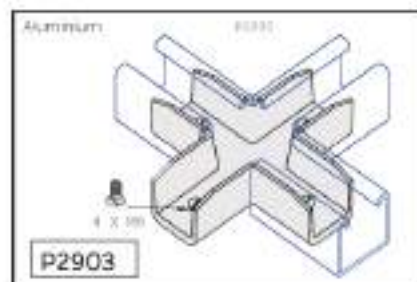
Part No.	Finish	DL	W	H
P1218	-	-	0.575	15



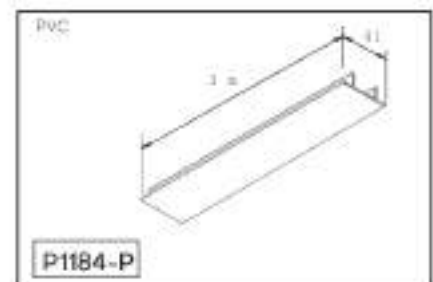
Part No.	DL	W	H
P2902	0.403	-	10



Part No.	DL	W	H
P2901	0.40	-	10



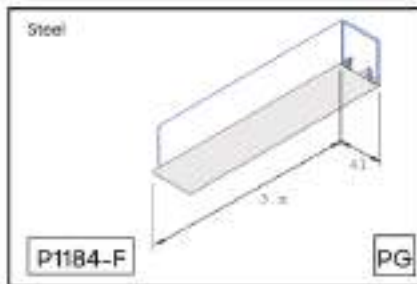
Part No.	DL	W	H
P2903	0.20	-	10



Part No.	Colour	DL	W
P1184-PW	White	0.40	1
P1184-PO	Black	0.40	1



# Fluorescent Lighting Supports & Fittings



Part No.	Stock	Lead Time
P1184-F	100	1

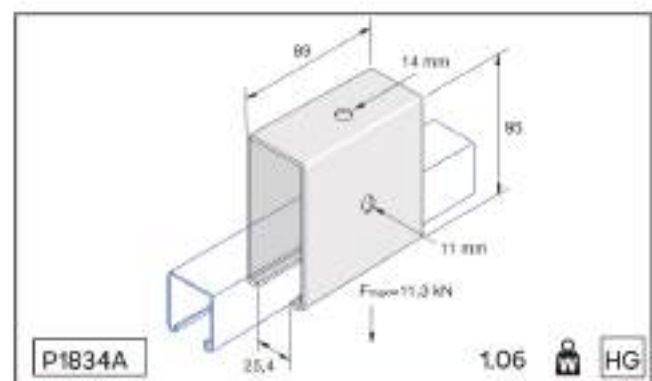
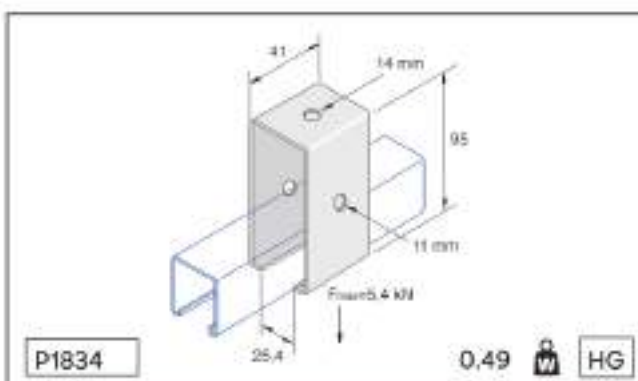
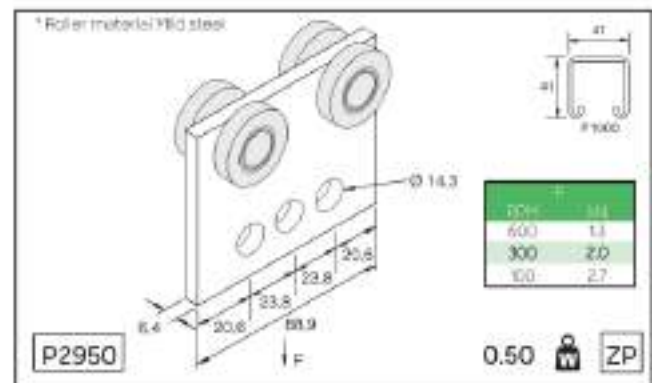
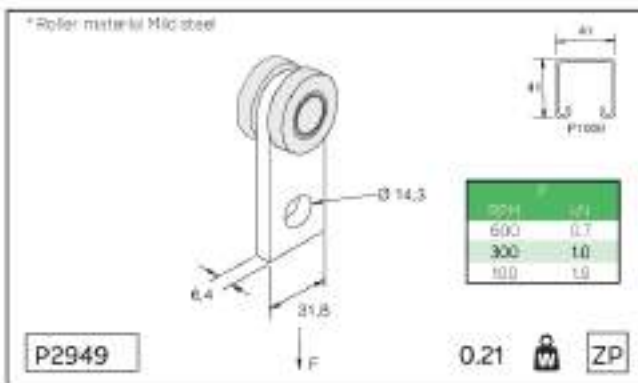
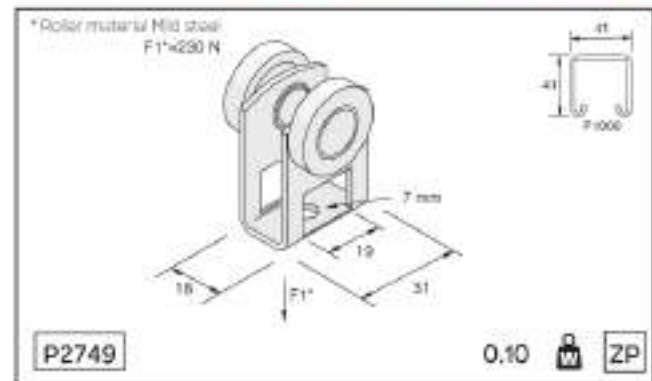
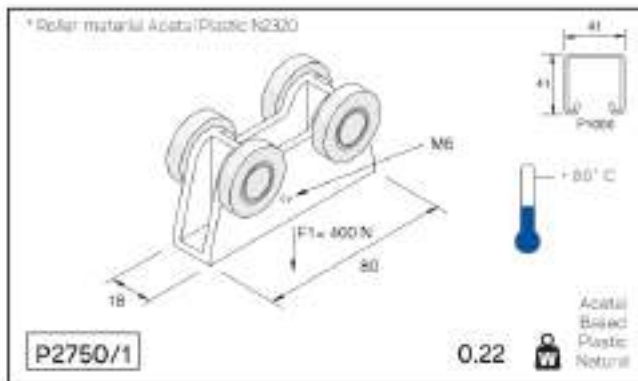


Part No.	Part No.	Part No.	Stock	Lead Time
09-21-98	09-21-96	09-21-97	41x21	0.3 100



Part No.	Part No.	Part No.	Stock	Lead Time
09-41-98	09-41-96	09-41-97	41x41	0.5 100

## Channel Trolley Assemblies



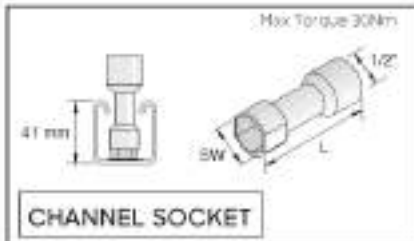


HEX. HEAD SCREW

ZP HG SS

Part No.			Part No.			Part No.			Part No.			QTY
ZP	HG	SS	ZP	HG	SS	ZP	HG	SS	ZP	HG	SS	
93356X12	93356X12	93346X12	93356X20	93356X20	93346X20	93356X30	93356X30	93346X30	93356X40	93356X40	93346X40	100
93356X16	93356X16	93346X16	93356X25	93356X25	93346X25	93356X35	93356X35	93346X35	93356X50	93356X50	93346X50	100
93356X20	93356X20	93346X20	93356X30	93356X30	93346X30	93356X40	93356X40	93346X40	93356X60	93356X60	93346X60	100
93356X25	93356X25	93346X25	93356X35	93356X35	93346X35	93356X45	93356X45	93346X45	93356X70	93356X70	93346X70	100
93356X30	93356X30	93346X30	93356X40	93356X40	93346X40	93356X50	93356X50	93346X50	93356X80	93356X80	93346X80	100
93356X35	93356X35	93346X35	93356X45	93356X45	93346X45	93356X60	93356X60	93346X60	93356X90	93356X90	93346X90	100
93356X40	93356X40	93346X40	93356X50	93356X50	93346X50	93356X65	93356X65	93346X65	93356X100	93356X100	93346X100	100

Metal Framing



CHANNEL SOCKET

Part No.	Part No.
MID	MID
DAF	DAF



ROOFING NUT & BOLT

ZP

Part No.	Height (mm)	L (mm)	Δ (mm)	QTY
M6x20R	12	12	1.0	100
M6x25R	16	16	1.0	100
M6x30R	20	20	1.0	100
M6x35R	25	25	1.0	100
M6x40R	30	30	1.0	100
M6x45R	40	40	1.0	100
M6x50R	50	50	1.0	100
M6x60R	60	60	1.0	100



CONE-POINTED SCREW

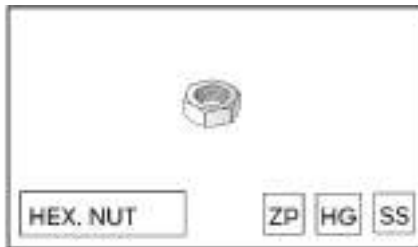
ZP

Part No.	Height (mm)	Δ (mm)	QTY
M10x40CP	25	1.0	100
M12x40CP	25	1.0	100

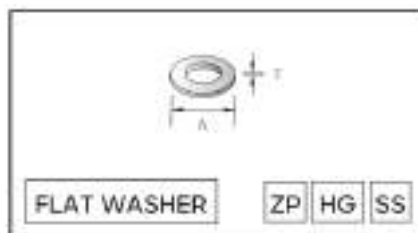




# Nuts, Bolts & Washers



Part No.			Part No.			Part No.			Part No.		
HG			HG			HG			HG		
25	40	55	25	40	55	25	40	55	25	40	55
0345M5	0347M5	0344M5	0345M5	0341M5	0344M5	0345M10	0343M10	0344M10	0345M10	0343M10	0344M10



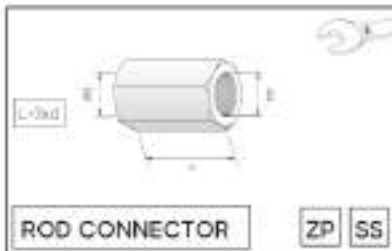
Part No.			Part No.			Part No.			Part No.			Part No.			Qty
HG			HG			HG			HG			HG			
25	40	55	25	40	55	25	40	55	25	40	55	25	40	55	
0209W	0209W	0249W	0209W	0209W	0249W	0209W	0209W	0249W	0209W	0209W	0249W	0209W	0209W	0249W	030
(A=12mm)			(A=12mm)			(A=12mm)			(A=12mm)			(A=12mm)			
(T=1.6mm)			(T=1.6mm)			(T=2.0mm)			(T=2.0mm)			(T=2.0mm)			

Metal Framing

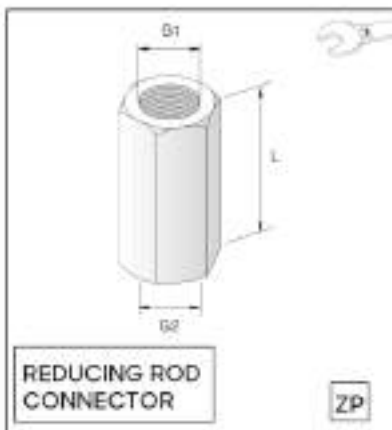
## Washers & Threaded Rod Connectors



Part No.	Part No.	Part No.	Finish	A	T	QTY
HG	HG	HG	ZP	mm	mm	
PYW6X25	PYW6X25	PYW10X25	-	25	1.5	100
PYW6X32	PYW6X32	PYW10X32	-	32	1.5	100



Part No.	Part No.	Part No.	Part No.	Part No.	Part No.	QTY
HG	HG	HG	HG	HG	HG	
AS2000	AS2000	AS2000	AS2000	AS2000	AS2000	100



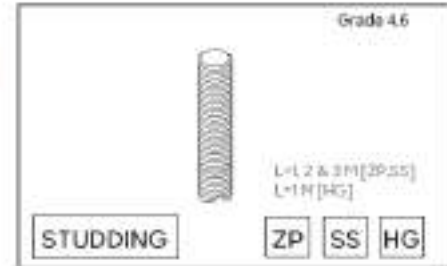
Part No.	Finish	B1	B2	SW	L	QTY
	ZP	mm	mm	mm	mm	
SPR6010	-	M8	M10	13	30	50
SPR6012	-	M10	M12	17	30	50



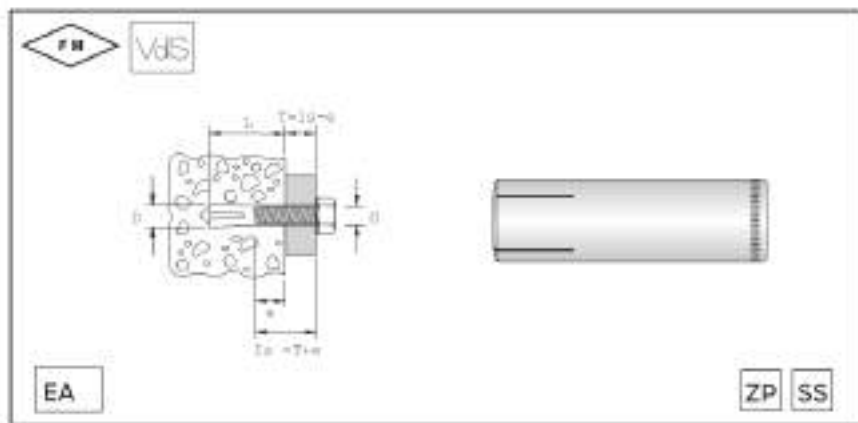
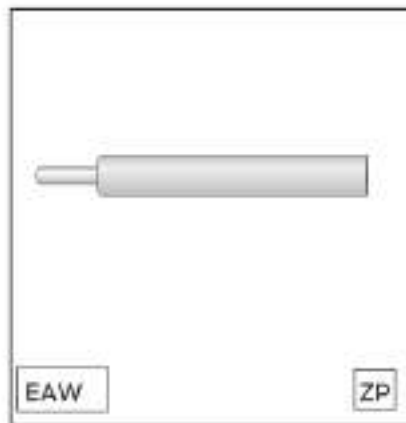
Part No.	Finish	A	B	SW	L	QTY
	ZP	mm	mm	mm	mm	
3R200	-	M8	M10	13	21	50
3R202	-	M8	M12	17	23	50
3R204	-	M10	M8	13	23	50
3R202	-	M10	M12	17	23	50
3R206	-	M10	M16	19	32	50
3R208	-	M12	M8	17	23	50
3R210	-	M12	M10	17	25	50
3R206	-	M12	M16	19	32	50
3R210	-	M16	M10	24	32	50
3R212	-	M16	M12	24	32	50

# Threaded Rod & Studs

Part No. (UK)	Part No. (US)	Part No. (AU)	Part No. (NZ)	Part No. (IN)	Grade	Finish
M6x2H	M6x1H	M10x3H	M12x3H	M16x1H	ZP	SS
M6x2H	M6x2H	M10x2H	M12x2H	M16x2H	-	-
M6x3H	M6x3H	M10x3H	M12x3H	M16x3H	-	-



## Non Drill Anchors

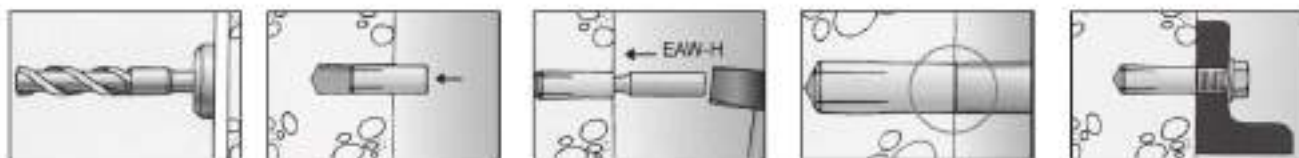


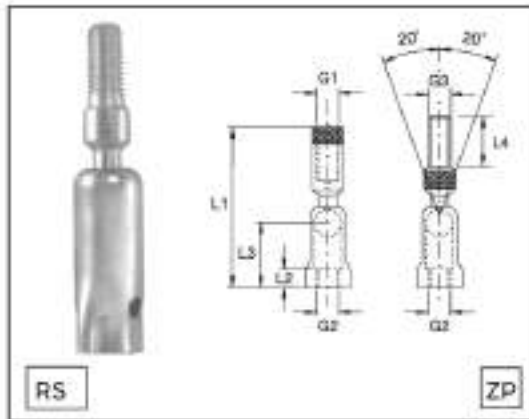
Part No.	Part No.
EAW6	EAM6
EAW8	EAM8
EAW8x40	EAM8x40
EAW10	EAM10
EAW12	EAM12
EAW16	EAM16
EAW20	EAM20

Part No.	Finish	Class	D	L	W	Ø	W (mm)	W (mm)	W (mm)	Approvals
EAM6	-	-	6	25	8	M6	6	11	100	
EAM8	-	18kN*	10	30	10	M8	8	13	100	VdS
EAM8x40	-	3kN*	10	40	10	M8	8	13	50	VdS FM
EAM10	-	3.6kN*	12	40	12	M10	10	17	50	VdS FM
EAM12	-	5.7kN*	15	50	15	M12	12	18	25	VdS FM
EAM16	-	7.4kN*	20	65	20	M16	16	21	20	VdS FM
EAM20	-	11.3kN*	25	80	25	M20	20	30	10	VdS FM

Part No.	Finish	Class	D	L	W	Ø	W (mm)	W (mm)	W (mm)	Approvals
EAM6	-	-	6	25	8	M6	6	11	100	
EAM8	-	-	10	30	10	M8	8	13	100	
EAM10	-	3.0kN*	12	40	12	M10	10	17	50	VdS FM
EAM12	-	3.6kN*	15	50	15	M12	12	18	25	FM
EAM16	-	5.7kN*	20	65	20	M16	16	21	20	FM

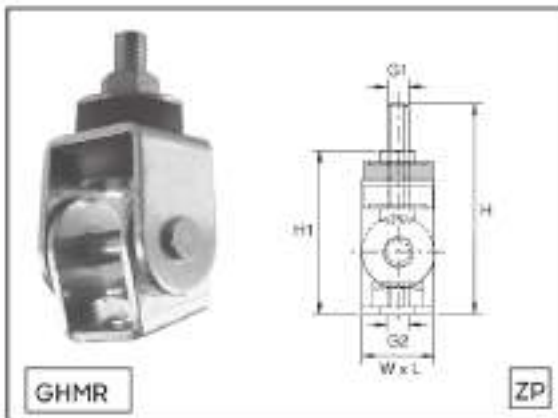
\* Loading data is applicable for concrete pressure zone only (0-25 N/mm<sup>2</sup>)



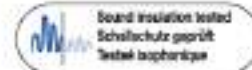


Part No.	Series	G1	G2	H1	H2	H3	H4	Price	Lead Time	Stock
ZP										
124 08	-	M8	M8	74	8	30	15	2500	.03	100
124 10 03	-	M10	M10	74	8	30	15	2500	.04	100
124 12 03	-	M12	M12	56	6	32	15	5000	15	100
66 42	-	M8	M8	48	10	20	15	3100	.03	50
66 42	-	M10	M10	48	10	23	15	3100	.03	50

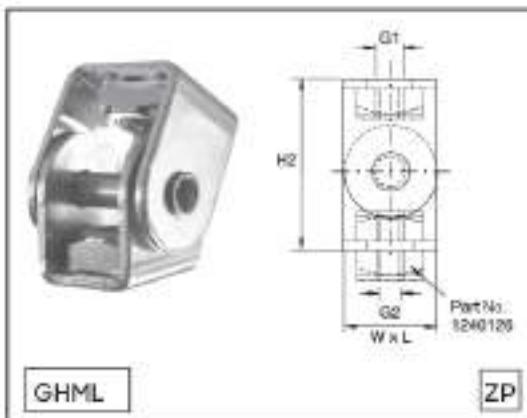
### Adjustable Angle Fitting with Sound Insulation



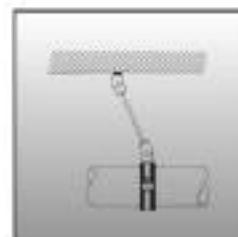
Part No.	Series	G1	G2	H1	H x L	H2	H3	Price	Lead Time	Stock
ZP										
124 08	-	M8	M8	45	36 x 25	60	70	5.7	.11	100
124 10 06	-	M8	M10	45	36 x 25	60	70	5.7	.11	100



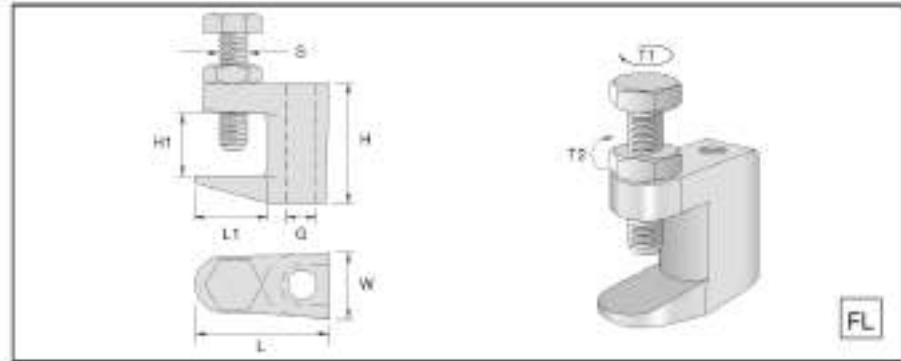
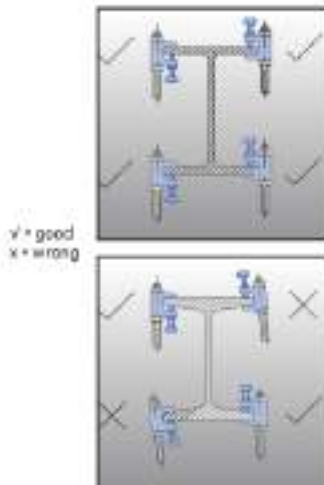
Sound insulation value on average 22 dB (A).



Part No.	Series	G1	G2	H1	W x L	H2	H3	Price	Lead Time	Stock
ZP										
124 08	-	M8	M8	45	36 x 25	35	45	5.5	.11	100
124 08	-	M10	M10	45	36 x 25	35	45	5.5	.11	100
124 08 26	-	M12	M12	64	36 x 25	35	45	5.5	.12	100

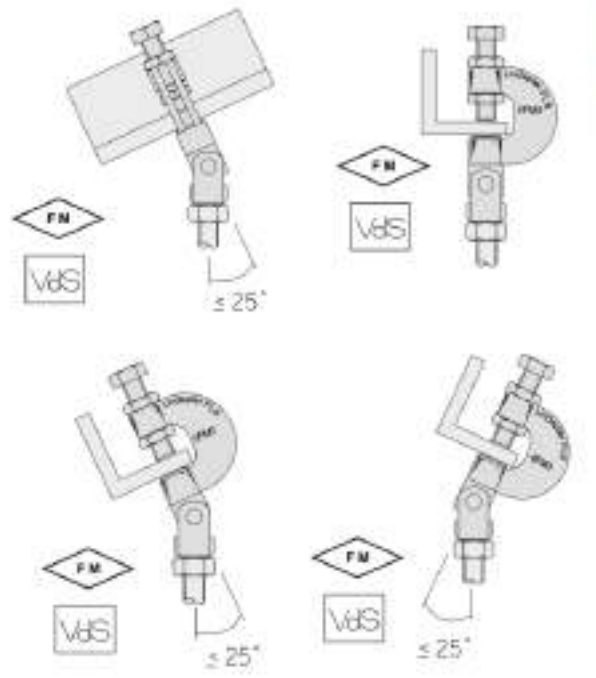
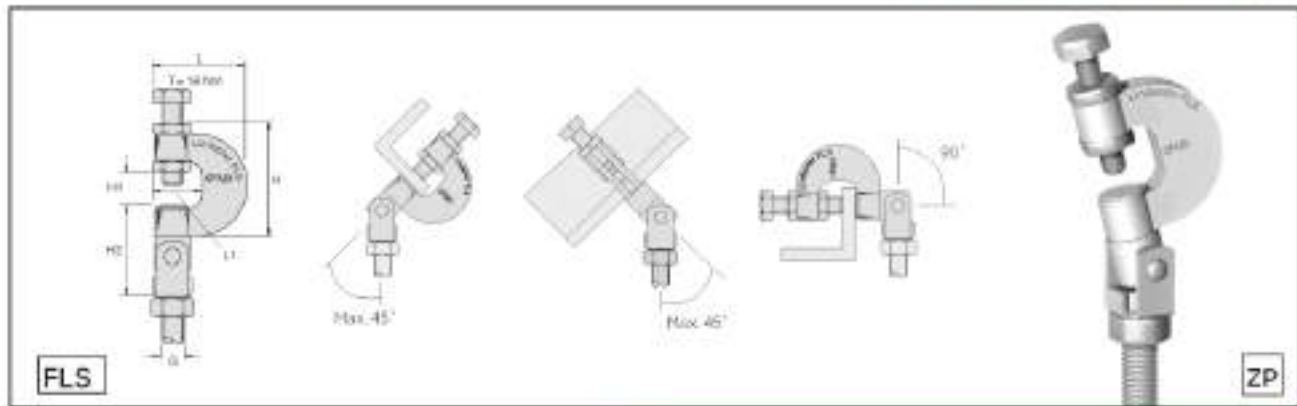


# Beam Clamps

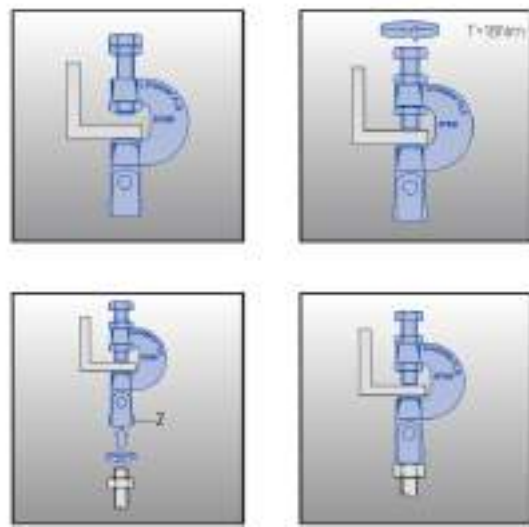


Part No.	Beam Size (mm)	Beam Depth (mm)	H1 (mm)	H2 (mm)	L (mm)	H (mm)	W (mm)	H1 (mm)	L1 (mm)	Ø (mm)	Ø (mm)	Ø (mm)	Approvals
FL16T	-	11	8	11	36	35	19	17	20	M6	8	50	
FL18D	-	11	8	11	36	35	19	17	20	8	8	50	
FL18T	-	11	8	11	36	35	19	17	20	M8	8	50	
FL201D	-	24	8	22	45	40	22	19	22	11	10	50	FM
FL201T	-	24	8	22	45	40	22	19	22	M10	10	50	FM
F312D	-	31	8	22	50	46	25	23	28	11	10	25	FM
F312T	-	31	8	22	50	46	25	23	28	M12	10	25	FM

## Articulated Beam Clamps



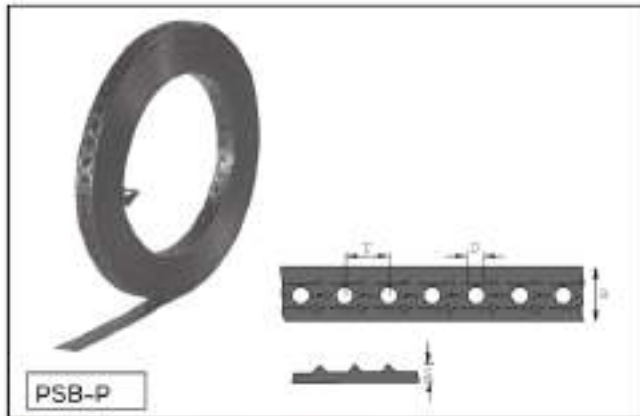
Part No.	Beam Size (mm)	Beam Depth (mm)	H1 (mm)	H2 (mm)	L (mm)	W (mm)	H1 (mm)	L1 (mm)	Approvals	
FL50B	M8	25	15	18	55	53	50	17	27	VdS
FL51D	M10	25	15	18	55	53	50	17	27	VdS FM



Metal Framing

## Fixings

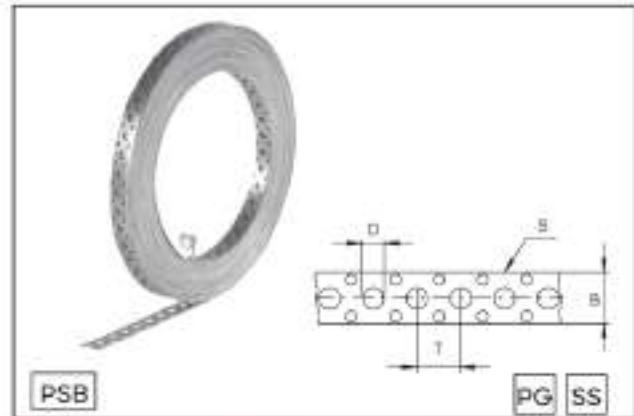
### Perforated Steel Band, Plastic Coated



PSB-P

Part No.	B	D	T	S	F	W	Wt	Wt	Wt
	mm	mm	mm	mm	mm	mm	kg	kg	kg
154 19 02	19	6.2	15	2.2	850	10	1.05	20	
154 27 02	27	6.2	25	3.0	1500	10	1.95	16	

### Perforated Steel Band



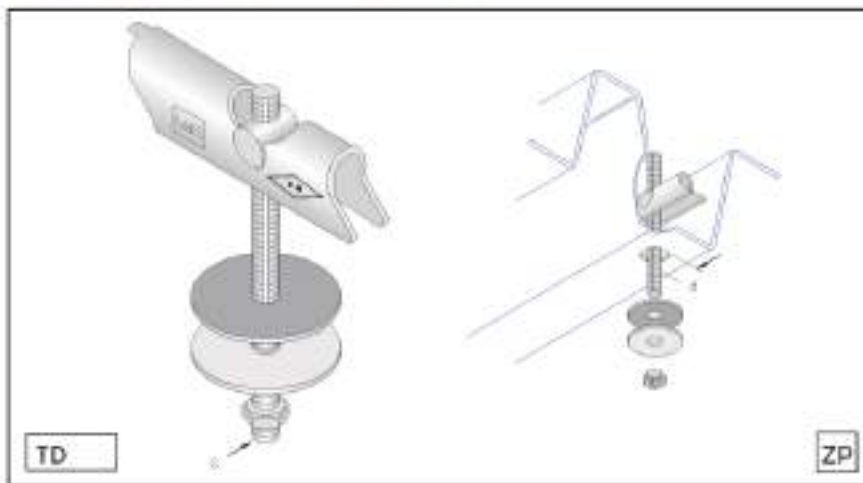
PSB

PG SS

Part No.	Finish	B	D	T	S	F	W	Wt	Wt	Wt
	PG	mm	mm	mm	mm	mm	mm	kg	kg	kg
155 17 02	-	17	6.5	15	0.8	850	25	2.25	8	
155 25 02	-	25	8.5	25	1.0	1500	10	1.66	16	
135 17 02	-	17	6.5	15	0.8	850	10	0.60	10	

Finish stainless steel Delv H015: A5TH 430; B5 430B7

### Toggle Clamp for Hollow Ceilings

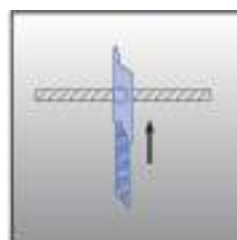
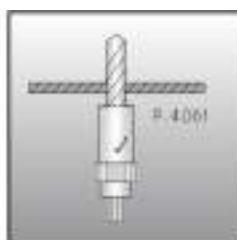


TD

ZP

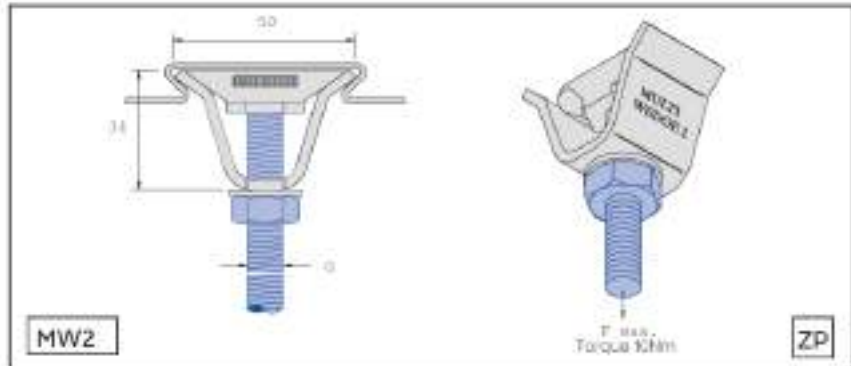
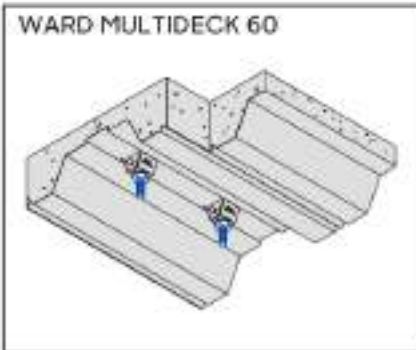


Part No.	SP	Finish	B	Wt	Wt	Wt	Wt
	mm	SP	mm	mm	mm	mm	mm
TDMEv65	M6x65	-	15	0.05	100	-	-
TDMEv100	M6x100	-	22	0.11	100	VdS	-
TDMEv200	M6x200	-	22	0.14	100	VdS	-
TDMEv300	M6x300	-	22	0.15	50	VdS	-
TDMEv500	M6x500	-	22	0.24	50	VdS	-
TDMEv1000	M10x1000	-	25	0.15	50	VdS	FM
TDMEv2000	M10x2000	-	25	0.15	50	VdS	FM

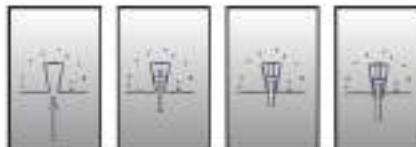
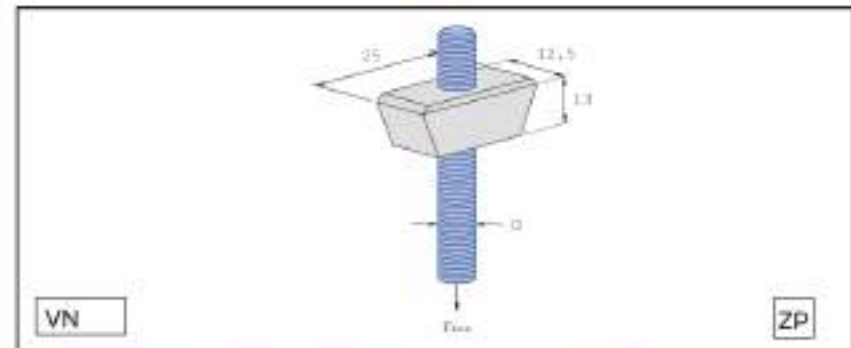
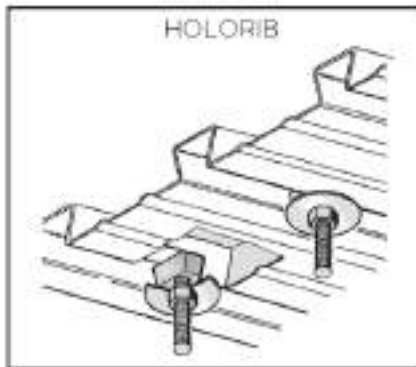


# Fixings

## Deck and Purlin Fixings



Part No.	Height ZP	Ø	Height MM	Δ	W
MW06	-	M6	147	0.10	50
MW08	-	M8	147	0.10	50
MW10	-	M10	147	0.10	50



Part No.	Height ZP	Ø	Height MM	Δ	W
VN04	-	M4	0.95	0.02	500
VN05	-	M5	1.4	0.02	500
VN06	-	M6	1.8	0.02	500
VN08	-	M8	2.0	0.02	500
VN10	-	M10	2.1	0.02	500

Loads quoted are subject to the strength of the supporting decking. Suitable for decking with a 10° tapered slot.

Metal Framing

# Cable Ladder

Unistrut's Cable Ladder Solution





## CABLE LADDER CONTENTS

Unistruts Cable ladder systems are renowned around the world for quality and engineering excellence. Wherever severe corrosion conditions are present, or a long maintenance free life is required, Unistrut's welded steel cable ladder systems is the obvious choice. Unistrut manufactures a complete range of cable ladder systems for a wide range of load and span combinations to suit the requirements of almost any installation.

Cable ladders are selected because of their heavy load carrying capacities and the excellent performance they give in harsh environments where salt spray or salt laden atmosphere, and other mild corrosive materials are present. Applications such as Oil & Gas, Petrochemical, port facilities and anything else you can imagine!

Supplied in medium, heavy and extra heavy duty sizes.

Available in standard finishes of [PG] Pre-Galvanised, [HG] hot-dip galvanised and [SS] stainless steel, but also Specialist Finishes are available on request.

Versatile system for heavy cabling

Engineered to maximise long span runs where support installation is limited.

Contents	Page Number
About Unistrut Cable Ladders	Page 80
Standard Range	Page 82
Accessories	Page 95
Technical Information	Page 102
Fittings	Page 107



## U10 - Medium duty

Medium duty 100mm high cable ladder for the tougher application and complete with wide range of accessories and fixings to suit.

Available in 3 or 6m lengths with widths from 100 to 1000mm, in [HG] hot-dip galvanised and [SS] stainless steel finishes.

Typical loading on with a 3m support span of approx 235kg/m.



## U12 - Heavy duty

Heavy duty 125mm high cable ladder, designed for applications which require a stronger and more rigid solution, complete with a wide range of accessories and fixings to suit.

Available in 3 or 6m lengths with widths from 100 to 1200mm, in [HG] hot-dip galvanised and [SS] stainless steel finishes.

Typical loading on with a 3m support span of approx 357kg/m.



## U15 - Extra Heavy duty

Extra heavy duty 150mm high cable ladder intended for use in applications which require additional strengths and reliability. Complete with a wide range of accessories and fittings, the Extreme Duty cable ladder is supplied in 3 or 6m lengths and is available in a number of finishes, including [HG] hot-dip galvanised and [SS] stainless steel.

Typical loading on with a 3m support span of approx 449kg/m.

## Tables & Keys

### Material Finish (Straights and Fittings)

Finish	Code
Pre-Galvanised	PG
Hot Dipped Galvanised	HG
Stainless Steel	SS

### Icon Key - Features



Inc  
Fittings



Sold as  
Pair

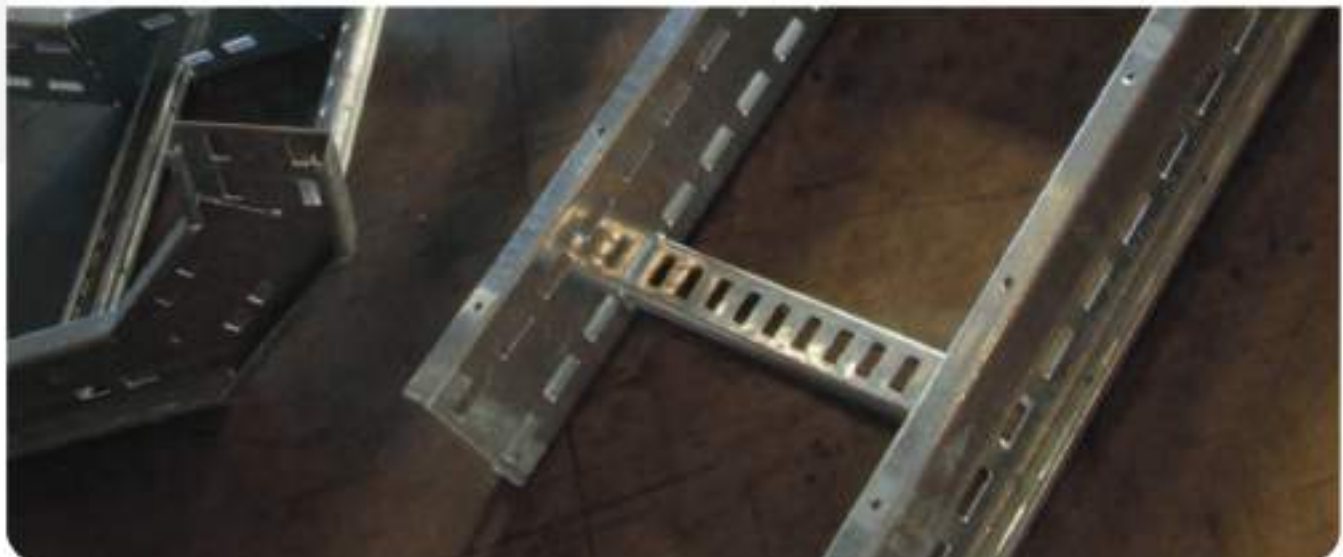


Sold as  
Individual

### Width and Angle Codes

Standard Widths (W)		By Request	Radii (R)		Angles (D)		By Request
Code	Width		Code	Width	Width	Angle	
10	100mm	By Request	30	300mm*	30	30	By Request
15	150mm		45	450mm	45	45	
20	200mm	By Request	60	600mm	60	60	By Request
30	300mm		75	750mm	90	90	
40	400mm	By Request	90	900mm			
45	450mm						
50	500mm	By Request					
60	600mm						
70	700mm	By Request					
75	750mm						
80	800mm	By Request					
90	900mm						
100	1000mm	By Request					

\*Standard

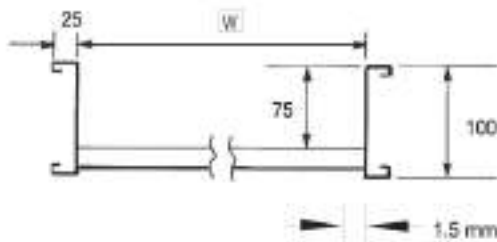


## U10 - Medium Duty

### L3 and L6 Cable Ladder

Medium duty 100mm high cable ladder for the tougher application and complete with wide range of accessories and fixings to suit.

Available in 3 or 6m lengths with widths from 100 to 1000mm.



Sold as individual

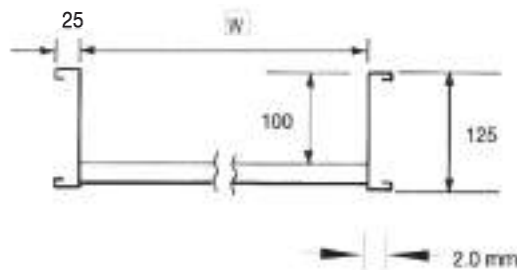
Size (W)	U10 L3 (3 metre Length)			U10 L6 (6 metre Length)		
	Product Code	Weight	Product Code	Weight	Product Code	Weight
mm	HG	SS	kg	HG	SS	kg
100	U10L3100H	U10L3100S	13.2	U10L6100H	U10L6100S	26.53
150	U10L3150H	U10L3150S	13.8	U10L6150H	U10L6150S	27.67
200	U10L3200H	U10L3200S	14.4	U10L6200H	U10L6200S	28.81
300	U10L3300H	U10L3300S	15.55	U10L6300H	U10L6300S	31.10
400	U10L3400H	U10L3400S	16.69	U10L6400H	U10L6400S	33.39
450	U10L3450H	U10L3450S	17.27	U10L6450H	U10L6450S	34.53
500	U10L3500H	U10L3500S	17.84	U10L6500H	U10L6500S	35.68
600	U10L3600H	U10L3600S	18.98	U10L6600H	U10L6600S	37.97
700	U10L3700H	U10L3700S	22.13	U10L6700H	U10L6700S	44.25
750	U10L3750H	U10L3750S	22.84	U10L6750H	U10L6750S	45.68
800	U10L3800H	U10L3800S	23.55	U10L6800H	U10L6800S	47.11
900	U10L3900H	U10L3900S	24.98	U10L6900H	U10L6900S	49.97
1000	U10L31000H	U10L31000S	26.41	U10L61000H	U10L61000S	52.83

## U12 - Heavy Duty

### L3 and L6 Cable Ladder

Heavy duty 125mm high cable ladder, designed for applications which require a stronger and more rigid solution, complete with a wide range of accessories and fixings to suit.

Available in 3 or 6m lengths with widths from 100 to 1200mm.



Sold as Individual

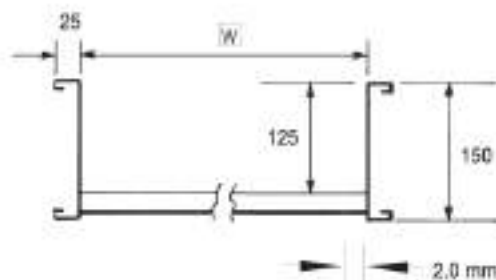
Size (W)	U12 L3 (3 metre Length)			U12 L6 (6 metre Length)		
	Product Code	Weight	kg	Product Code	Weight	kg
mm	HG	SS	kg	HG	SS	kg
100	U12L3100H	U12L3100S	18.89	U12L6100H	U12L6100S	38.22
150	U12L3150H	U12L3150S	19.68	U12L6150H	U12L6150S	39.37
200	U12L3200H	U12L3200S	20.25	U12L6200H	U12L6200S	40.51
300	U12L3300H	U12L3300S	21.40	U12L6300H	U12L6300S	42.80
400	U12L3400H	U12L3400S	22.54	U12L6400H	U12L6400S	44.54
450	U12L3450H	U12L3450S	23.11	U12L6450H	U12L6450S	46.23
500	U12L3500H	U12L3500S	23.69	U12L6500H	U12L6500S	47.38
600	U12L3600H	U12L3600S	24.83	U12L6600H	U12L6600S	49.66
700	U12L3700H	U12L3700S	27.97	U12L6700H	U12L6700S	55.95
750	U12L3750H	U12L3750S	28.69	U12L6750H	U12L6750S	57.28
800	U12L3800H	U12L3800S	29.40	U12L6800H	U12L6800S	58.81
900	U12L3900H	U12L3900S	30.83	U12L6900H	U12L6900S	61.67
1000	U12L31000H	U12L31000S	32.26	U12L61000H	U12L61000S	64.53
1200	U12L31200H	U12L31200S	34.80	U12L61200H	U12L61200S	67.21

## U15 - Extra Heavy Duty

### L3 and L6 Cable Ladder

Extra heavy duty 150mm high cable ladder intended for use in applications which require additional strengths and reliability.

Complete with a wide range of accessories and fittings, the Extreme Duty cable ladder is supplied in 3 or 6m lengths with widths from 100 to 1000mm.



Sold as Individual

Size (W)	U15 L3 (3 metre Length)			U15 L6 (6 metre Length)		
	Product Code		Weight	Product Code		Weight
mm	HG	SS	kg	HG	SS	kg
100	U15L3100H	U15L3100S	21.56	U15L6100H	U15L6100S	42.48
150	U15L3150H	U15L3150S	22.14	U15L6150H	U15L6150S	44.27
200	U15L3200H	U15L3200S	22.71	U15L6200H	U15L6200S	45.42
300	U15L3300H	U15L3300S	23.85	U15L6300H	U15L6300S	47.41
400	U15L3400H	U15L3400S	25	U15L6400H	U15L6400S	49.24
450	U15L3450H	U15L3450S	25.57	U15L6450H	U15L6450S	51.14
500	U15L3500H	U15L3500S	26.14	U15L6500H	U15L6500S	52.28
600	U15L3600H	U15L3600S	27.28	U15L6600H	U15L6600S	54.57
700	U15L3700H	U15L3700S	30.43	U15L6700H	U15L6700S	60.87
750	U15L3750H	U15L3750S	31.14	U15L6750H	U15L6750S	62.29
800	U15L3800H	U15L3800S	31.86	U15L6800H	U15L6800S	63.72
900	U15L3900H	U15L3900S	33.29	U15L6900H	U15L6900S	66.58
1000	U15L31000H	U15L31000S	34.72	U15L61000H	U15L61000S	69.44

## U11 Pre-Galvanised Ladder

### U11 Cable Ladder

The Unistrut U11 pre-galvanised ladder has a 110mm high side wall with an S-shape profile.

The range is completed with a full range of accessories including bends, tees, crosses and risers.

- Standard finish: pre-galvanised steel
- Length: 3000mm
- Rung distance: 250mm
- Sidewall height: 110mm



## Flat Bend 45°



### U10 Flat Bends - 45°

Size (W)	Part No.		Weight
	HG	SS	
100	U10FB10/45/30H	U10FB10/45/30S	1.9
150	U10FB15/45/30H	U10FB15/45/30S	2.1
200	U10FB20/45/30H	U10FB20/45/30S	2.3
300	U10FB30/45/30H	U10FB30/45/30S	2.7
400	U10FB40/45/30H	U10FB40/45/30S	3.1
450	U10FB45/45/30H	U10FB45/45/30S	3.3
500	U10FB50/45/30H	U10FB50/45/30S	3.5
600	U10FB60/45/30H	U10FB60/45/30S	3.9
700	U10FB70/45/30H	U10FB70/45/30S	5.7
750	U10FB75/45/30H	U10FB75/45/30S	6
800	U10FB80/45/30H	U10FB80/45/30S	6.3
900	U10FB90/45/30H	U10FB90/45/30S	6.9
1000	U10FB100/45/30H	U10FB100/45/30S	7.5

### U12 Flat Bends - 45°

Size (W)	Part No.		Weight
	HG	SS	
100	U12FB10/45/30H	U12FB10/45/30S	2.7
150	U12FB15/45/30H	U12FB15/45/30S	3
200	U12FB20/45/30H	U12FB20/45/30S	3.2
300	U12FB30/45/30H	U12FB30/45/30S	3.7
400	U12FB40/45/30H	U12FB40/45/30S	4
450	U12FB45/45/30H	U12FB45/45/30S	4.4
500	U12FB50/45/30H	U12FB50/45/30S	4.9
600	U12FB60/45/30H	U12FB60/45/30S	5
700	U12FB70/45/30H	U12FB70/45/30S	6.8
750	U12FB75/45/30H	U12FB75/45/30S	7.2
800	U12FB80/45/30H	U12FB80/45/30S	7.5
900	U12FB90/45/30H	U12FB90/45/30S	8.1
1000	U12FB100/45/30H	U12FB100/45/30S	8.8
1200	U12FB120/45/30H	U12FB120/45/30S	

### U15 Flat Bends - 45°

Size (W)	Part No.		Weight
	HG	SS	
100	U15FB10/45/30H	U15FB10/45/30S	3
150	U15FB15/45/30H	U15FB15/45/30S	3.3
200	U15FB20/45/30H	U15FB20/45/30S	3.5
300	U15FB30/45/30H	U15FB30/45/30S	4
400	U15FB40/45/30H	U15FB40/45/30S	4.2
450	U15FB45/45/30H	U15FB45/45/30S	4.8
500	U15FB50/45/30H	U15FB50/45/30S	5
600	U15FB60/45/30H	U15FB60/45/30S	5.5
700	U15FB70/45/30H	U15FB70/45/30S	7.4
750	U15FB75/45/30H	U15FB75/45/30S	7.7
800	U15FB80/45/30H	U15FB80/45/30S	8.1
900	U15FB90/45/30H	U15FB90/45/30S	8.7
1000	U15FB100/45/30H	U15FB100/45/30S	9.4

Different Radius\* Available Upon Request



Sold as Individual



## Flat Bend 90°



### U10 Flat Bends - 90°

Size (W) mm	Part No.		Weight kg
	HG	SS	
100	U10FB10/90/30H	U10FB10/90/30S	3.2
150	U10FB15/90/30H	U10FB15/90/30S	3.5
200	U10FB20/90/30H	U10FB20/90/30S	3.9
300	U10FB30/90/30H	U10FB30/90/30S	4.5
400	U10FB40/90/30H	U10FB40/90/30S	5.7
450	U10FB45/90/30H	U10FB45/90/30S	6.1
500	U10FB50/90/30H	U10FB50/90/30S	6.5
600	U10FB60/90/30H	U10FB60/90/30S	7.3
700	U10FB70/90/30H	U10FB70/90/30S	8.8
750	U10FB75/90/30H	U10FB75/90/30S	10.41
800	U10FB80/90/30H	U10FB80/90/30S	10.93
900	U10FB90/90/30H	U10FB90/90/30S	11.98
1000	U10FB100/90/30H	U10FB100/90/30S	13.05

### U12 Flat Bends - 90°

Size (W) mm	Part No.		Weight kg
	HG	SS	
100	U12FB10/90/30H	U12FB10/90/30S	4.6
150	U12FB15/90/30H	U12FB15/90/30S	5
200	U12FB20/90/30H	U12FB20/90/30S	5.4
300	U12FB30/90/30H	U12FB30/90/30S	6.3
400	U12FB40/90/30H	U12FB40/90/30S	7.3
450	U12FB45/90/30H	U12FB45/90/30S	8
500	U12FB50/90/30H	U12FB50/90/30S	8.5
600	U12FB60/90/30H	U12FB60/90/30S	9.2
700	U12FB70/90/30H	U12FB70/90/30S	11.2
750	U12FB75/90/30H	U12FB75/90/30S	12.8
800	U12FB80/90/30H	U12FB80/90/30S	13.4
900	U12FB90/90/30H	U12FB90/90/30S	14.6
1000	U12FB100/90/30H	U12FB100/90/30S	15.8
1200	U12FB120/90/30H	U12FB120/90/30S	17.6

### U15 Flat Bends - 90°

Size (W) mm	Part No.		Weight kg
	HG	SS	
100	U15FB10/90/30H	U15FB10/90/30S	5.1
150	U15FB15/90/30H	U15FB15/90/30S	5.5
200	U15FB20/90/30H	U15FB20/90/30S	5.9
300	U15FB30/90/30H	U15FB30/90/30S	6.8
400	U15FB40/90/30H	U15FB40/90/30S	7.7
450	U15FB45/90/30H	U15FB45/90/30S	8.6
500	U15FB50/90/30H	U15FB50/90/30S	9.1
600	U15FB60/90/30H	U15FB60/90/30S	10.1
700	U15FB70/90/30H	U15FB70/90/30S	11.9
750	U15FB75/90/30H	U15FB75/90/30S	13.49
800	U15FB80/90/30H	U15FB80/90/30S	14.11
900	U15FB90/90/30H	U15FB90/90/30S	15.34
1000	U15F-	U15FB100/90/30S	16.58

Different Radius\* Available Upon Request



Sold as  
Individual



### U10 Tee

Size (W)	Part No.		Weight
	HG	SS	
mm			kg
100	U10ET10/10/30H	U10ET10/10/30S	5.3
150	U10ET15/15/30H	U10ET15/15/30S	5.7
200	U10ET20/20/30H	U10ET20/20/30S	6.1
300	U10ET30/30/30H	U10ET30/30/30S	7.7
400	U10ET40/40/30H	U10ET40/40/30S	8.7
450	U10ET45/45/30H	U10ET45/45/30S	9.2
500	U10ET50/50/30H	U10ET50/50/30S	9.7
600	U10ET60/60/30H	U10ET60/60/30S	10.7
700	U10ET70/70/30H	U10ET70/70/30S	14.2
750	U10ET75/75/30H	U10ET75/75/30S	14.9
800	U10ET80/80/30H	U10ET80/80/30S	15.5
900	U10ET90/90/30H	U10ET90/90/30S	16.9
1000	U10ET100/100/30H	U10ET100/100/30S	

### U12 Tee

Size (W)	Part No.		Weight
	HG	SS	
mm			kg
100	U12ET10/10/30H	U12ET10/10/30S	8.2
150	U12ET15/15/30H	U12ET15/15/30S	7.6
200	U12ET20/20/30H	U12ET20/20/30S	8.1
300	U12ET30/30/30H	U12ET30/30/30S	9.7
400	U12ET40/40/30H	U12ET40/40/30S	10.7
450	U12ET45/45/30H	U12ET45/45/30S	11.3
500	U12ET50/50/30H	U12ET50/50/30S	11.8
600	U12ET60/60/30H	U12ET60/60/30S	12.9
700	U12ET70/70/30H	U12ET70/70/30S	16.4
750	U12ET75/75/30H	U12ET75/75/30S	17.1
800	U12ET80/80/30H	U12ET80/80/30S	17.8
900	U12ET90/90/30H	U12ET90/90/30S	19.2
1000	U12ET100/100/30H	U12ET100/100/30S	
1200	U12ET120/120/30H	U12ET120/120/30S	

### U15 Tee

Size (W)	Part No.		Weight
	HG	SS	
mm			kg
100	U15ET10/10/30H	U15ET10/10/30S	8.1
150	U15ET15/15/30H	U15ET15/15/30S	8.5
200	U15ET20/20/30H	U15ET20/20/30S	8.9
300	U15ET30/30/30H	U15ET30/30/30S	10.6
400	U15ET40/40/30H	U15ET40/40/30S	11.7
450	U15ET45/45/30H	U15ET45/45/30S	12.3
500	U15ET50/50/30H	U15ET50/50/30S	12.8
600	U15ET60/60/30H	U15ET60/60/30S	13.9
700	U15ET70/70/30H	U15ET70/70/30S	17.5
750	U15ET75/75/30H	U15ET75/75/30S	18.2
800	U15ET80/80/30H	U15ET80/80/30S	19.
900	U15ET90/90/30H	U15ET90/90/30S	20
1000	U15ET100/100/30H	U15ET100/100/30S	

Unequal Tee's available upon request



Sold as  
Individual

## Cross



### U10 Cross

Size (W)	Part No.		Weight
	HG	SS	
mm			kg
100	U10EC10/10/30H	U10EC10/10/30S	7.2
150	U10EC15/15/30H	U10EC15/15/30S	7.4
200	U10EC20/20/30H	U10EC20/20/30S	7.8
300	U10EC30/30/30H	U10EC30/30/30S	9.9
400	U10EC40/40/30H	U10EC40/40/30S	9.9
450	U10EC45/45/30H	U10EC45/45/30S	11.6
500	U10EC50/50/30H	U10EC50/50/30S	12.21
600	U10EC60/60/30H	U10EC60/60/30S	13.36
700	U10EC70/70/30H	U10EC70/70/30S	17.76
750	U10EC75/75/30H	U10EC75/75/30S	18.55
800	U10EC80/80/30H	U10EC80/80/30S	14.37
900	U10EC90/90/30H	U10EC90/90/30S	20.91
1000	U10EC100/100/30H	U10EC100/100/30S	

### U12 Cross

Size (W)	Part No.		Weight
	HG	SS	
mm			kg
100	U12EC10/10/30H	U12EC10/10/30S	10.4
150	U12EC15/15/30H	U12EC15/15/30S	9.6
200	U12EC20/20/30H	U12EC20/20/30S	9.9
300	U12EC30/30/30H	U12EC30/30/30S	12
400	U12EC40/40/30H	U12EC40/40/30S	13.1
450	U12EC45/45/30H	U12EC45/45/30S	13.6
500	U12EC50/50/30H	U12EC50/50/30S	14.2
600	U12EC60/60/30H	U12EC60/60/30S	15.3
700	U12EC70/70/30H	U12EC70/70/30S	19.7
750	U12EC75/75/30H	U12EC75/75/30S	20.4
800	U12EC80/80/30H	U12EC80/80/30S	21.2
900	U12EC90/90/30H	U12EC90/90/30S	22.7
1000	U12EC100/100/30H	U12EC100/100/30S	
1200	U12EC120/120/30H	U12EC120/120/30S	

### U15 Cross

Size (W)	Part No.		Weight
	HG	SS	
mm			kg
100	U15EC10/10/30H	U15EC10/10/30S	
150	U15EC15/15/30H	U15EC15/15/30S	10.62
200	U15EC20/20/30H	U15EC20/20/30S	11
300	U15EC30/30/30H	U15EC30/30/30S	13
400	U15EC40/40/30H	U15EC40/40/30S	14.1
450	U15EC45/45/30H	U15EC45/45/30S	14.6
500	U15EC50/50/30H	U15EC50/50/30S	15.2
600	U15EC60/60/30H	U15EC60/60/30S	16.3
700	U15EC70/70/30H	U15EC70/70/30S	20.7
750	U15EC75/75/30H	U15EC75/75/30S	21.4
800	U15EC80/80/30H	U15EC80/80/30S	22.2
900	U15EC90/90/30H	U15EC90/90/30S	23.7
1000	U15EC100/100/30H	U15EC100/100/30S	

Different Radius' Available Upon Request



Sold as  
Individual

## Outside Riser 45°



### U10 Outside Riser - 45°

Size (W)	Part No.		Weight
	HG	SS	
mm			kg
100	U10OR10/45/30H	U10OR10/45/30S	1.8
150	U10OR15/45/30H	U10OR15/45/30S	2.3
200	U10OR20/45/30H	U10OR20/45/30S	2.5
300	U10OR30/45/30H	U10OR30/45/30S	2.7
400	U10OR40/45/30H	U10OR40/45/30S	2.9
450	U10OR45/45/30H	U10OR45/45/30S	3
500	U10OR50/45/30H	U10OR50/45/30S	3.2
600	U10OR60/45/30H	U10OR60/45/30S	3.4
700	U10OR70/45/30H	U10OR70/45/30S	4
750	U10OR75/45/30H	U10OR75/45/30S	4.1
800	U10OR80/45/30H	U10OR80/45/30S	4.3
900	U10OR90/45/30H	U10OR90/45/30S	4.6
1000	U10OR100/45/30H	U10OR100/45/30S	4.9

### U12 Outside Riser - 45°

Size (W)	Part No.		Weight
	HG	SS	
mm			kg
100	U12OR10/45/30H	U12OR10/45/30S	3.3
150	U12OR15/45/30H	U12OR15/45/30S	3.4
200	U12OR20/45/30H	U12OR20/45/30S	3.5
300	U12OR30/45/30H	U12OR30/45/30S	3.7
400	U12OR40/45/30H	U12OR40/45/30S	3.9
450	U12OR45/45/30H	U12OR45/45/30S	4.1
500	U12OR50/45/30H	U12OR50/45/30S	4.2
600	U12OR60/45/30H	U12OR60/45/30S	4.4
700	U12OR70/45/30H	U12OR70/45/30S	5
750	U12OR75/45/30H	U12OR75/45/30S	5.2
800	U12OR80/45/30H	U12OR80/45/30S	5.3
900	U12OR90/45/30H	U12OR90/45/30S	5.6
1000	U12OR100/45/30H	U12OR100/45/30S	5.9
1200	U12OR120/45/30H	U12OR120/45/30S	

### U15 Outside Riser - 45°

Size (W)	Part No.		Weight
	HG	SS	
mm			kg
100	U15OR10/45/30H	U15OR10/45/30S	4
150	U15OR15/45/30H	U15OR15/45/30S	4.1
200	U15OR20/45/30H	U15OR20/45/30S	4.2
300	U15OR30/45/30H	U15OR30/45/30S	4.4
400	U15OR40/45/30H	U15OR40/45/30S	4.6
450	U15OR45/45/30H	U15OR45/45/30S	4.8
500	U15OR50/45/30H	U15OR50/45/30S	4.9
600	U15OR60/45/30H	U15OR60/45/30S	5.1
700	U15OR70/45/30H	U15OR70/45/30S	5.7
750	U15OR75/45/30H	U15OR75/45/30S	5.9
800	U15OR80/45/30H	U15OR80/45/30S	6
900	U15OR90/45/30H	U15OR90/45/30S	6.3
1000	U15OR100/45/30H	U15OR100/45/30S	6.6



Sold as Individual

## Outside Riser 90°



### U10 Outside Riser - 90°

Size (W) mm	Part No.		Weight kg
	HG	SS	
100	U10OR10/90/30H	U10OR10/90/30S	2.5
150	U10OR15/90/30H	U10OR15/90/30S	2.6
200	U10OR20/90/30H	U10OR20/90/30S	2.7
300	U10OR30/90/30H	U10OR30/90/30S	3
400	U10OR40/90/30H	U10OR40/90/30S	3.2
450	U10OR45/90/30H	U10OR45/90/30S	3.3
500	U10OR50/90/30H	U10OR50/90/30S	3.4
600	U10OR60/90/30H	U10OR60/90/30S	3.7
700	U10OR70/90/30H	U10OR70/90/30S	4.3
750	U10OR75/90/30H	U10OR75/90/30S	4.4
800	U10OR80/90/30H	U10OR80/90/30S	4.6
900	U10OR90/90/30H	U10OR90/90/30S	4.9
1000	U10OR100/90/30H	U10OR100/90/30S	5.03

### U12 Outside Riser - 90°

Size (W) mm	Part No.		Weight kg
	HG	SS	
100	U12OR10/90/30H	U12OR10/90/30S	3.8
150	U12OR15/90/30H	U12OR15/90/30S	3.9
200	U12OR20/90/30H	U12OR20/90/30S	4
300	U12OR30/90/30H	U12OR30/90/30S	4.2
400	U12OR40/90/30H	U12OR40/90/30S	4.4
450	U12OR45/90/30H	U12OR45/90/30S	4.5
500	U12OR50/90/30H	U12OR50/90/30S	4.6
600	U12OR60/90/30H	U12OR60/90/30S	4.9
700	U12OR70/90/30H	U12OR70/90/30S	5.5
750	U12OR75/90/30H	U12OR75/90/30S	5.6
800	U12OR80/90/30H	U12OR80/90/30S	5.8
900	U12OR90/90/30H	U12OR90/90/30S	6
1000	U12OR100/90/30H	U12OR100/90/30S	6.3
1200	U12OR120/90/30H	U12OR120/90/30S	

### U15 Outside Riser - 90°

Size (W) mm	Part No.		Weight kg
	HG	SS	
100	U15OR10/90/30H	U15OR10/90/30S	4.6
150	U15OR15/90/30H	U15OR15/90/30S	4.7
200	U15OR20/90/30H	U15OR20/90/30S	4.8
300	U15OR30/90/30H	U15OR30/90/30S	5
400	U15OR40/90/30H	U15OR40/90/30S	5.2
450	U15OR45/90/30H	U15OR45/90/30S	5.3
500	U15OR50/90/30H	U15OR50/90/30S	5.5
600	U15OR60/90/30H	U15OR60/90/30S	5.7
700	U15OR70/90/30H	U15OR70/90/30S	6.3
750	U15OR75/90/30H	U15OR75/90/30S	6.4
800	U15OR80/90/30H	U15OR80/90/30S	6.6
900	U15OR90/90/30H	U15OR90/90/30S	6.9
1000	U15OR100/90/30H	U15OR100/90/30S	10.26



Sold as  
Individual

## Inside Riser 45°



### U10 Inside Riser - 45°

Size (W)	Part No.		Weight
	HG	SS	
100	U10IR10/45/30H	U10IR10/45/30S	1.8
150	U10IR15/45/30H	U10IR15/45/30S	2.3
200	U10IR20/45/30H	U10IR20/45/30S	2.5
300	U10IR30/45/30H	U10IR30/45/30S	2.7
400	U10IR40/45/30H	U10IR40/45/30S	2.9
450	U10IR45/45/30H	U10IR45/45/30S	3
500	U10IR50/45/30H	U10IR50/45/30S	3.2
600	U10IR60/45/30H	U10IR60/45/30S	3.4
700	U10IR70/45/30H	U10IR70/45/30S	4
750	U10IR75/45/30H	U10IR75/45/30S	4.1
800	U10IR80/45/30H	U10IR80/45/30S	4.3
900	U10IR90/45/30H	U10IR90/45/30S	4.6
1000	U10IR100/45/30H	U10IR100/45/30S	4.9

### U12 Inside Riser - 45°

Size (W)	Part No.		Weight
	HG	SS	
100	U12IR10/45/30H	U12IR10/45/30S	3.3
150	U12IR15/45/30H	U12IR15/45/30S	3.4
200	U12IR20/45/30H	U12IR20/45/30S	3.5
300	U12IR30/45/30H	U12IR30/45/30S	3.7
400	U12IR40/45/30H	U12IR40/45/30S	3.9
450	U12IR45/45/30H	U12IR45/45/30S	4.1
500	U12IR50/45/30H	U12IR50/45/30S	4.2
600	U12IR60/45/30H	U12IR60/45/30S	4.4
700	U12IR70/45/30H	U12IR70/45/30S	5
750	U12IR75/45/30H	U12IR75/45/30S	5.2
800	U12IR80/45/30H	U12IR80/45/30S	5.3
900	U12IR90/45/30H	U12IR90/45/30S	5.6
1000	U12IR100/45/30H	U12IR100/45/30S	5.9
1200	U12IR120/45/30H	U12IR120/45/30S	

### U15 Inside Riser - 45°

Size (W)	Part No.		Weight
	HG	SS	
100	U15IR10/45/30H	U15IR10/45/30S	4
150	U15IR15/45/30H	U15IR15/45/30S	4.1
200	U15IR20/45/30H	U15IR20/45/30S	4.2
300	U15IR30/45/30H	U15IR30/45/30S	4.4
400	U15IR40/45/30H	U15IR40/45/30S	4.6
450	U15IR45/45/30H	U15IR45/45/30S	4.8
500	U15IR50/45/30H	U15IR50/45/30S	4.9
600	U15IR60/45/30H	U15IR60/45/30S	5.1
700	U15IR70/45/30H	U15IR70/45/30S	5.7
750	U15IR75/45/30H	U15IR75/45/30S	5.9
800	U15IR80/45/30H	U15IR80/45/30S	6
900	U15IR90/45/30H	U15IR90/45/30S	6.3
1000	U15IR100/45/30H	U15IR100/45/30S	6.6

## Inside Riser 90°



### U10 Inside Riser - 90°

Size (W)	Part No.		Weight
	HG	SS	
mm			kg
100	U10IR10/90/30H	U10IR10/90/30S	1.8
150	U10IR15/90/30H	U10IR15/90/30S	2.3
200	U10IR20/90/30H	U10IR20/90/30S	2.5
300	U10IR30/90/30H	U10IR30/90/30S	2.7
400	U10IR40/90/30H	U10IR40/90/30S	2.9
450	U10IR45/90/30H	U10IR45/90/30S	3
500	U10IR50/90/30H	U10IR50/90/30S	3.2
600	U10IR60/90/30H	U10IR60/90/30S	3.4
700	U10IR70/90/30H	U10IR70/90/30S	4
750	U10IR75/90/30H	U10IR75/90/30S	4.1
800	U10IR80/90/30H	U10IR80/90/30S	4.3
900	U10IR90/90/30H	U10IR90/90/30S	4.6
1000	U10IR100/90/30H	U10IR100/90/30S	4.9

### U12 Inside Riser - 90°

Size (W)	Part No.		Weight
	HG	SS	
mm			kg
100	U12IR10/90/30H	U12IR10/90/30S	3.3
150	U12IR15/90/30H	U12IR15/90/30S	3.4
200	U12IR20/90/30H	U12IR20/90/30S	3.5
300	U12IR30/90/30H	U12IR30/90/30S	3.7
400	U12IR40/90/30H	U12IR40/90/30S	3.9
450	U12IR45/90/30H	U12IR45/90/30S	4.1
500	U12IR50/90/30H	U12IR50/90/30S	4.2
600	U12IR60/90/30H	U12IR60/90/30S	4.4
700	U12IR70/90/30H	U12IR70/90/30S	5
750	U12IR75/90/30H	U12IR75/90/30S	5.2
800	U12IR80/90/30H	U12IR80/90/30S	5.3
900	U12IR90/90/30H	U12IR90/90/30S	5.6
1000	U12IR100/90/30H	U12IR100/90/30S	5.9
1200	U12IR120/90/30H	U12IR120/90/30S	

### U15 Inside Riser - 90°

Size (W)	Part No.		Weight
	HG	SS	
mm			kg
100	U15IR10/90/30H	U15IR10/90/30S	4
150	U15IR15/90/30H	U15IR15/90/30S	4.1
200	U15IR20/90/30H	U15IR20/90/30S	4.2
300	U15IR30/90/30H	U15IR30/90/30S	4.4
400	U15IR40/90/30H	U15IR40/90/30S	4.6
450	U15IR45/90/30H	U15IR45/90/30S	4.8
500	U15IR50/90/30H	U15IR50/90/30S	4.9
600	U15IR60/90/30H	U15IR60/90/30S	5.1
700	U15IR70/90/30H	U15IR70/90/30S	5.7
750	U15IR75/90/30H	U15IR75/90/30S	5.9
800	U15IR80/90/30H	U15IR80/90/30S	6
900	U15IR90/90/30H	U15IR90/90/30S	6.3
1000	U15IR100/90/30H	U15IR100/90/30S	6.6



Sold as  
Individual

## Reducers

These reducers are available in three variants and can be made to order for any stock width to any other standard width.

Variants are :

- Left Hand Reducers
- Right Hand Reducers
- Straight Reducers



To calculate the correct reducer, please follow the formula below:

### Choose your depth of ladder

- U10 (Medium Duty) = U10
- U12 (Heavy Duty) = U12
- U15 (Extra Heavy Duty) = U15

### Choose the Reducer Variant

- Left hand = LR
- Right hand = RR
- Straight = SR

### Choose the starting width

- 100mm = 10
- 150mm = 15
- 200mm = 20
- 300mm = 30
- 400mm = 40
- 450mm = 45
- 500mm = 50
- 600mm = 60
- 700mm = 70
- 750mm = 75
- 800mm = 80
- 900mm = 90
- 1000mm = 100
- 1200mm = 120

and the End (reduced) width

U10

U10 SR

U10 SR 80



Sold as Individual

U10 SR 80 / 40

Gives you a U10 Straight Reducer of 800mm down to 400mm

Contact our Sales Team on 0121 580 6300 if you run into any difficulties



# Cable Ladder – Accessories

Supporting Accessories  
for Unistrut's Cable Ladder  
Solution



## Couplers

### Straight Splice



Size	Part No.		Weight
	HG	SS	
U10	U10/SP/H	U10/SP/S	1.5
U12	U12/SP/H	U12/SP/S	1.7
U15	U15/SP/H	U15/SP/S	1.9



Incl. Fixings



Sold as Pair

### Verticle Splice



Size	Part No.		Weight
	HG	SS	
U10	U10/VSP/H	U10/VSP/S	1.9
U12	U12/VSP/H	U12/VSP/S	2.3
U15	U15/VSP/H	U15/VSP/S	2.8



Incl. Fixings



Sold as Pair

### Horizontal Splice



Size	Part No.		Weight
	HG	SS	
U10	U10/HSP/H	U10/HSP/S	1.6
U12	U12/HSP/H	U12/HSP/S	1.8
U15	U15/HSP/H	U15/HSP/S	2.1



Incl. Fixings



Sold as Pair

### Thermal Expansion Coupler



Size	Part No.		Weight
	HG	SS	
U10	U10/TEC/H	U10/TEC/S	1.5
U12	U12/TEC/H	U12/TEC/S	1.8
U15	U15/TEC/H	U15/TEC/S	2.1



Incl. Fixings

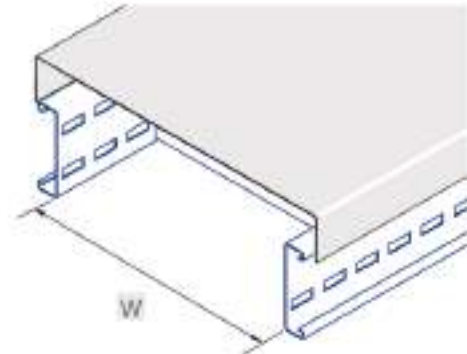


Sold as Pair

## Covers - U10, U12 & U15

Type	Part No.		Tray Width/Std Length	
	HG	SB	mm	m
U/COV	U/COV100H	U/COV100S	100	3
U/COV	U/COV150H	U/COV150S	150	3
U/COV	U/COV200H	U/COV200S	200	3
U/COV	U/COV300H	U/COV300S	300	3
U/COV	U/COV400H	U/COV400S	400	1.5
U/COV	U/COV450H	U/COV450S	450	1.5
U/COV	U/COV500H	U/COV500S	500	1.5
U/COV	U/COV600H	U/COV600S	600	1.5
U/COV	U/COV700H	U/COV700S	700	1.5
U/COV	U/COV750H	U/COV750S	750	1.5
U/COV	U/COV800H	U/COV800S	800	1.5
U/COV	U/COV900H	U/COV900S	900	1.5
			1000	
			1200	

Other lengths available upon request.

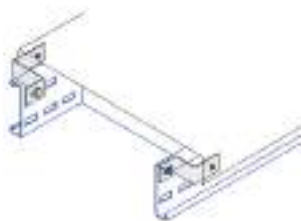


### A cover for every fitting

We have custom fit covers for our entire range of lengths and fittings and can provide custom sizes if required for unique jobs.

These are available upon demand - please contact our sales department for further information.

### Cover Clip

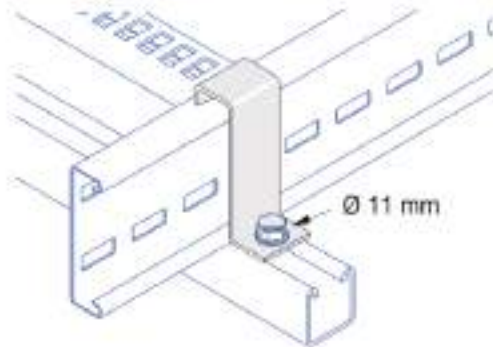


Length 1.5m - Use 4 Cover Fixings  
Length 3.0m - Use 6 Cover Fixings

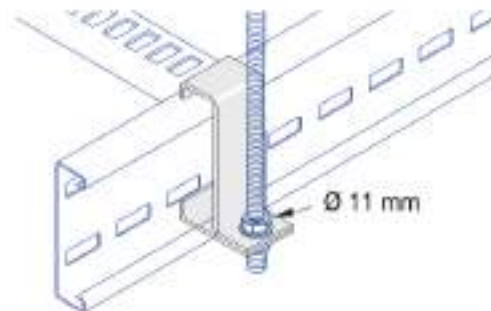
Part No.	Finish
	Stainless Steel or Hot Galvanised
U/COVCLIP	S or H

Cover clip can be orientated to achieve closed or ventilated cover

**H/D Bracket**



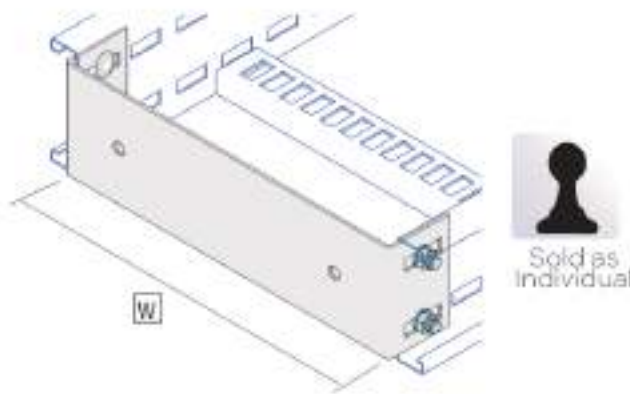
**Suspension Clip**



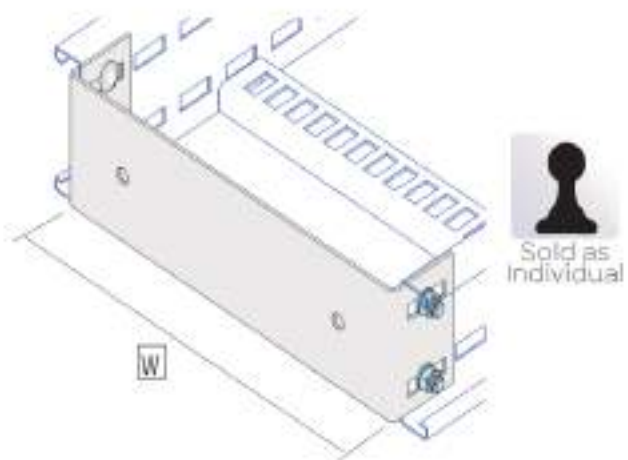
Type	Part No.	
	HG	SS
U10 / HDB	U10/HDB/H	U10/HDB/S
U12 / HDB	U12/HDB/H	U12/HDB/S
U15 / HDB	U15/HDB/H	U15/HDB/S

Type	Part No.	
	HG	SS
U10 / SC	U10/SC/H	U10/SC/S
U12 / SC	U12/SC/H	U12/SC/S
U15 / SC	U15/SC/H	U15/SC/S

**Stop End - U10**



**Stop End - U12**

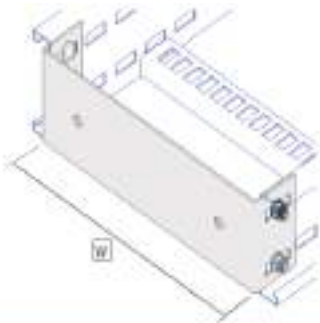


Size (W)	Part No.	
	HG	SS
mm		
150	U10/SE150/H	U10/SE150/S
300	U10/SE300/H	U10/SE300/S
450	U10/SE450/H	U10/SE450/S
600	U10/SE600/H	U10/SE600/S
750	U10/SE750/H	U10/SE750/S
900	U10/SE900/H	U10/SE900/S

Size (W)	Part No.	
	HG	SS
mm		
150	U12/SE150/H	U12/SE150/S
300	U12/SE300/H	U12/SE300/S
450	U12/SE450/H	U12/SE450/S
600	U12/SE600/H	U12/SE600/S
750	U12/SE750/H	U12/SE750/S
900	U12/SE900/H	U12/SE900/S

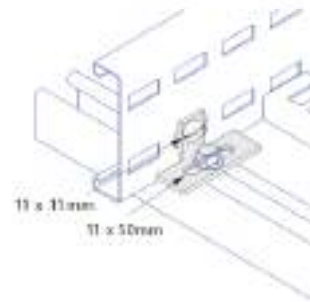
## Accessories

### Stop End - U15



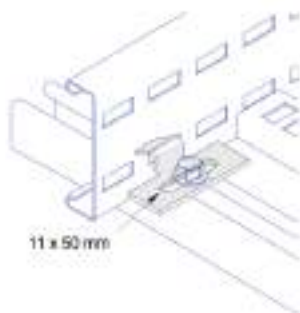
Size (W) mm	Part No.	
	HG	SS
150	U15/SE150/H	U15/SE150/S
300	U15/SE300/H	U15/SE300/S
450	U15/SE450/H	U15/SE450/S
600	U15/SE600/H	U15/SE600/S
750	U15/SE750/H	U15/SE750/S
900	U15/SE900/H	U15/SE900/S

### Hold Down Bracket



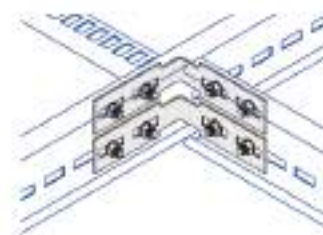
Type	Part No.	
	HG	SS
U10/HDB	U/CLAMP/H	U/CLAMP/S

### Hold Down Clip



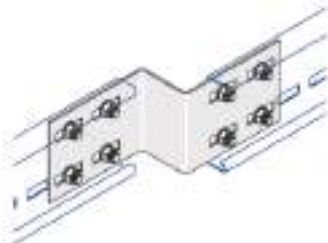
Type	Part No.	
	HG	SS
U/CLIP	U/CLIP/H	U/CLIP/S

### Tee Bracket



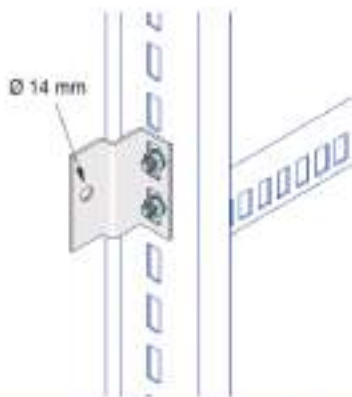
Type	Part No.		Quantity
	HG	SS	
TEE	U/2TEE/H	U/2TEE/S	2
TEE	U/2TEE/H/UN	U/2TEE/S/UN	1

### Reducing Splice Plate



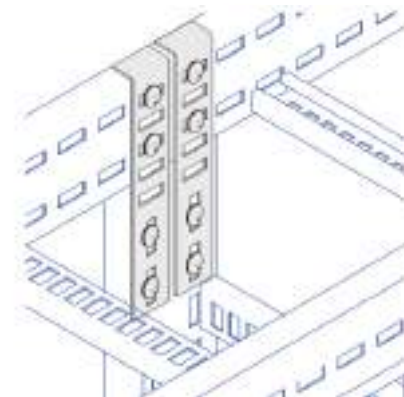
Type	Part No.	
	HG	SS
U/RSP	U/RSP/HG	U/RSP/SS

**Wall Bracket**



Part No.	Finish
U/WCH	Stainless Steel or Hot Galvanised S or H

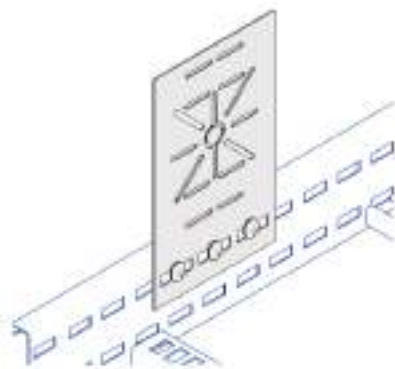
**Rail to Rail Dropper**



Inc Fitments

Part No.	Finish
U/RRD	Stainless Steel or Hot Galvanised S or H

**Mounting Plate**



Inc Fitments

Part No.	Finish
U/MPP	Stainless Steel or Hot Galvanised S or H

**Earth Strap**

Tinned Copper Braid  
M10 Hole Size



Part No.	Size (L)
UES100	100mm
UES300	300mm

## Accessories

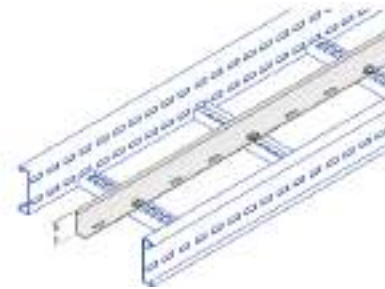
### Curved Divider



Incl. Fixments

Part No.	Height mm	Finish
U/CUR30	30mm	S or H
U/CUR70	70mm	H

### Straight Divider



Incl. Fixments

Part No.	Height mm	Finish
U/DIV30	30mm	S or H
U/DIV70	70mm	S or H

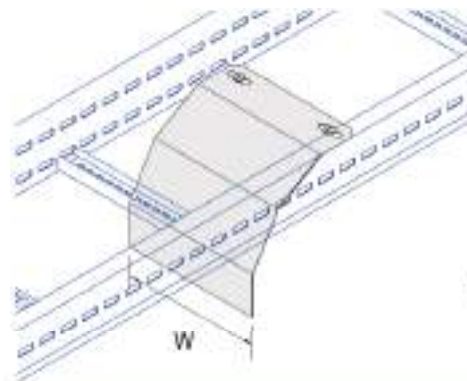
### Ladder Fixing Set



Part No.	Finish
	Stainless Steel or Hot Galvanised
U/FIX16M10	S or H

Pack of 16 (nuts, bolts and washers)

### Cable Drop Out



Incl. Fixments

Part No.	Size (W) mm	Finish
U/DO/150	145mm	S or H
U/DO/200	195mm	S or H
U/DO/300	295mm	S or H

# Cable Ladder - Technical Data

Technical information for Unistrut's  
Cable Ladder System





## Materials & Finishes

### Hot-Dip Galvanized [HDG]

Cable trays, brackets, cantilever arms and fittings can be hot-dip galvanized in accordance with BS EN ISO1461:2009 and chromate passivated.

The minimum average Zinc Coating is as follows:

Cold Rolled From 1.5mm Steel - 55 microns

2.5mm Steel - 55 microns

Fittings spun galvanized - 45 microns

· Mild Steel - BS EN 10149-3 grade S280 - min yield 280 n/mm<sup>2</sup> - UTS 370 n/mm<sup>2</sup>

### Deep Hot Dip Galvanised

· BS EN 10025 S275JO+AR+CL1 or equivalent/better, 2mm min. thick material.

### Stainless Steel [SS]

· Stainless Steel 1.4301 (304)

· Stainless Steel 1.4404 (316L)

· Hot Rolled to B.S.EN10088-2-1.4404+1D.

· Cleaned (Pickled & Passivated) Applying a pickling process to stainless steel results in a clean product and it also removes any heat discoloration that has occurred in the welding process.

SPECIAL COATINGS AND MATERIAL GRADES ARE AVAILABLE ON REQUEST

### Certification and Quality Standards

BS EN 61537:2007

ISO 9001 - quality system certification

ISO 14001 - environment certification

ISO 18001 - health and safety certification

### Useful Cross Section

#### Type U10

Width mm	Useful cross section (cm <sup>2</sup> )
100	75
150	113
200	150
300	225
400	300
450	338
500	375
600	450
750	563
800	600
900	650
1000	750

#### Type U12

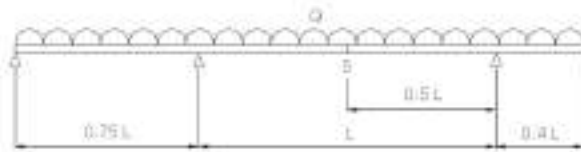
Width mm	Useful cross section (cm <sup>2</sup> )
100	100
150	150
200	200
300	300
400	400
450	450
500	500
600	600
750	750
800	800
900	900
1000	1000

#### Type U15

Width mm	Useful cross section (cm <sup>2</sup> )
100	125
150	188
200	250
300	375
400	500
450	563
500	625
600	750
750	938
800	1000
900	1125
1000	1250

## Loading Data

Stated loadings apply to mild steel products only.



Load test according to CEI/IEC 61537:2001

Q = UDL (uniformly distributed load)

Safety Factor = 1.7

L = Intermediate span

F = deflection = 1/100 of the intermediate span (max.)

S = splice location

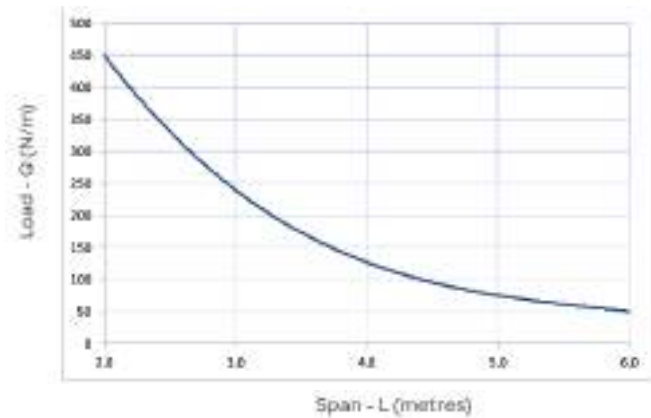
Unistrut's load testing is in accordance with CEI/IEC 61537:2001. In practical terms this covers continuous/multi span installations, evenly loaded along the length of, and across the full width of the ladder. The end spans in these installations should be reduced to 0.75 of the intermediate spans.

Deflection: Unistrut's load and deflection figures are in accordance with CEI/IEC 61537:2001, with the characteristic deflection of Unistrut Cable Ladder limited to span/100, and load figures inclusive of a safety factor of 1.7.

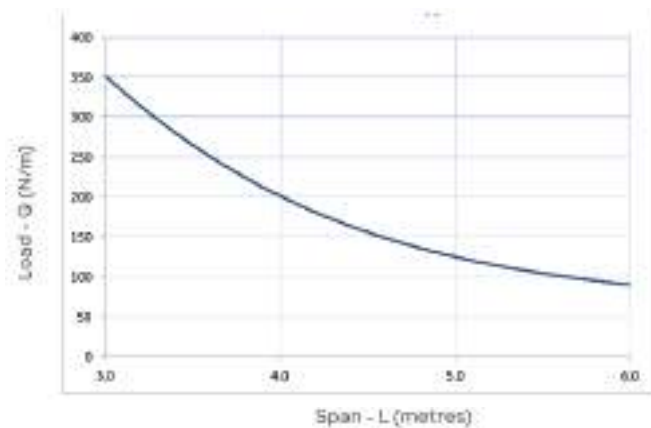
Accessories: To ensure adequate support, accessories should be supported locally.

Couplers: The loading and deflection tables for Unistrut Cable Ladder assume that the couplers are located at the most onerous position within the span (i.e. mid span). To maintain the load/deflection figures stated in the tables, the couplers should not be located in end spans or over support locations. Only one pair of couplers should be installed per span.

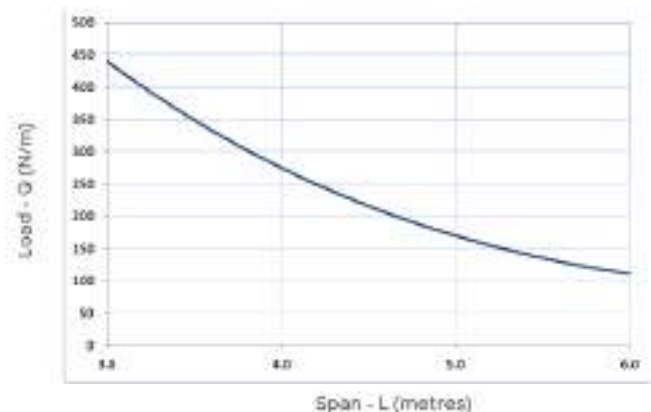
### Unistrut Ladder - Type U10



### Unistrut Ladder - Type U12



### Unistrut Ladder - Type U15

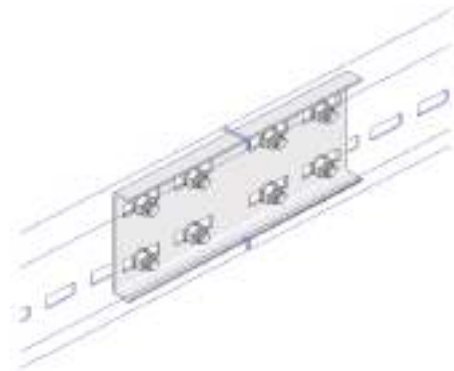


## Couplers

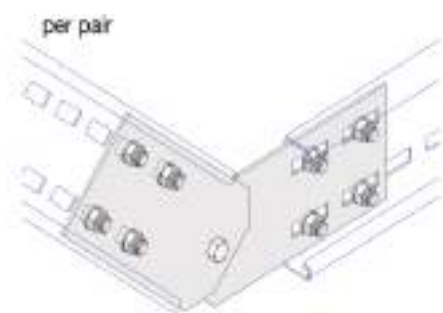
### SP Coupler (Straight Splice)

2x Straight Splices with fasteners included

For use in joining flat sections (straights and curves)



### VSP Coupler (Verticle Splice)



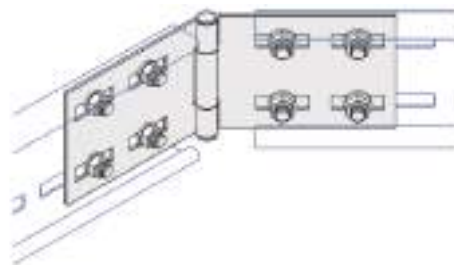
2x Vertical Splices with fittings included

For use in creating an adjustable riser.

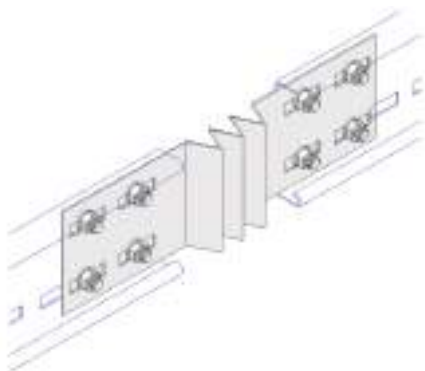
### HSP Coupler (Horizontal Splice)

2x Horizontal Splices with fittings included

A hinged splice to allow straights to connect at varying angles.



### TEC Coupler (Thermal Expansion Coupler)



2x Thermal Expansion Couplers with fittings included

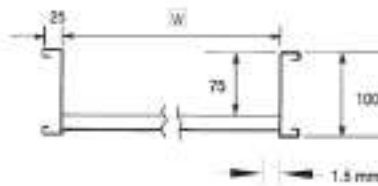
To compensate for thermal expansion.

## Size & Angle Codes

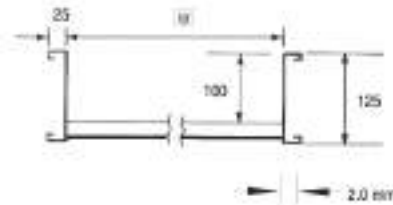
Our fittings come in a wide variety of widths, radii and angles (where appropriate). Many of these are standard factory items and the rest are available upon request.

Unless specified, figures are in millimeters (mm)

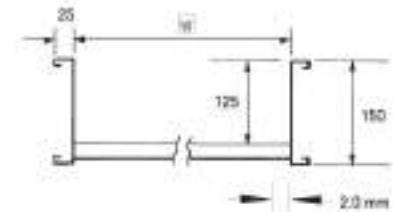
### U10



### U12

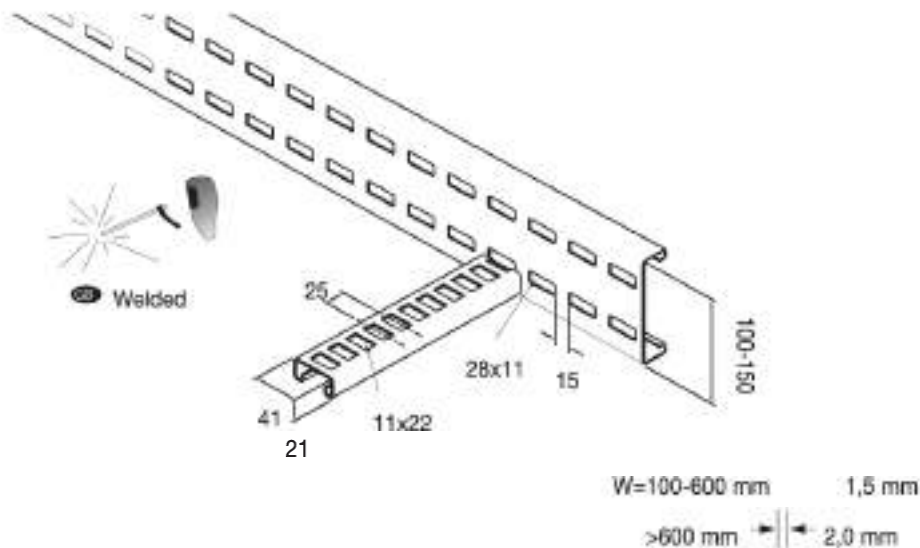


### U15



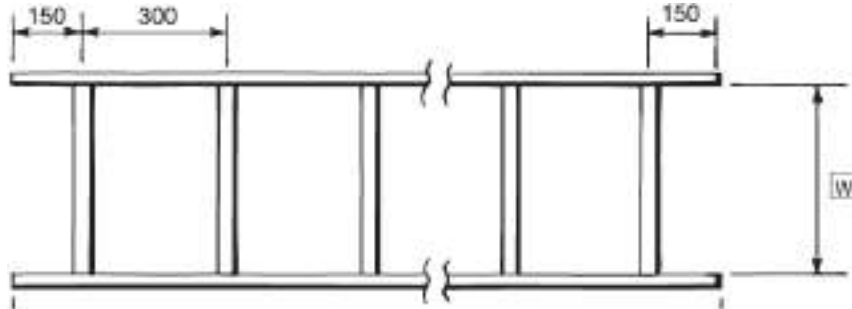
Standard Widths (W)		By Request	Angles (°)		By Request	Radii (R)	
Code	Width		Width	Angle		Code	Width
10	100mm	By Request	30	30	By Request	30	300mm*
15	150mm		45	45		45	450mm
20	200mm	By Request	60	60	By Request	60	600mm
30	300mm		90	90		75	750mm
40	400mm	By Request				90	900mm
45	450mm						
50	500mm	By Request					
60	600mm						
70	700mm	By Request					
75	750mm						
80	800mm	By Request					
90	900mm						
100	1000mm	By Request					

\*Standard

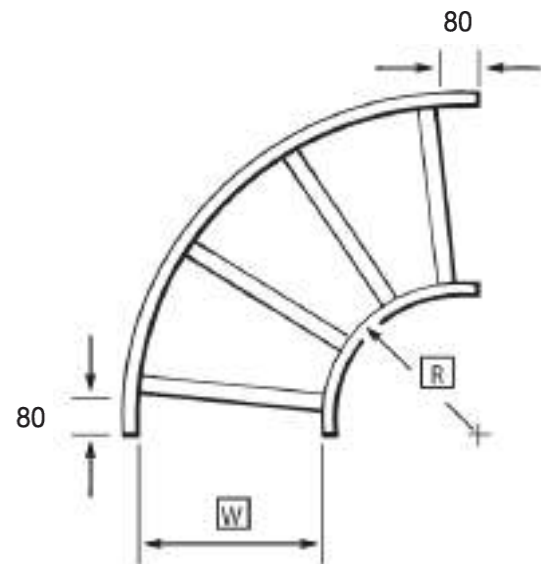


# Fittings

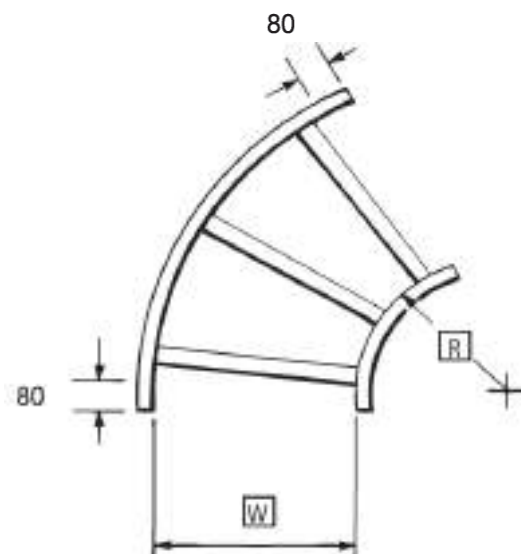
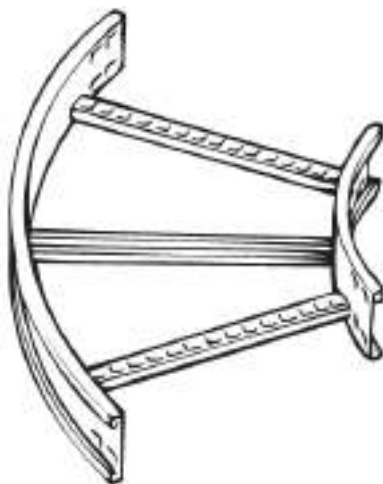
## Rung Distance



## 90° Flat Bend

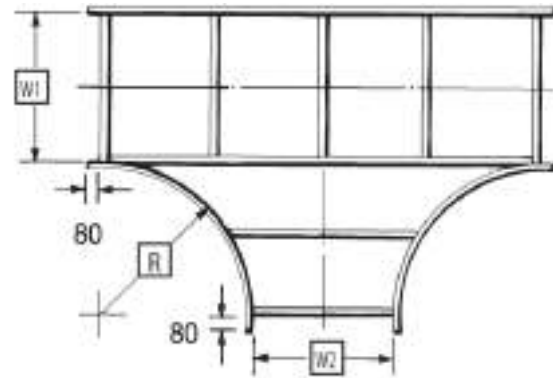


## 45° Flat Bend

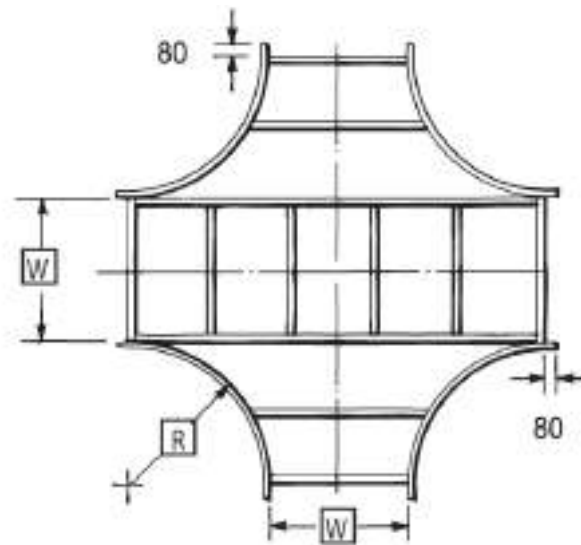
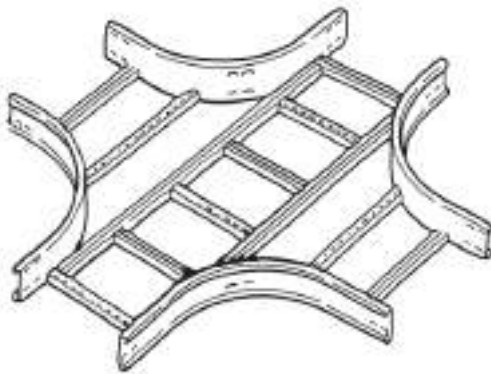


Please use codes on page 81 for [W], [R] and [D]

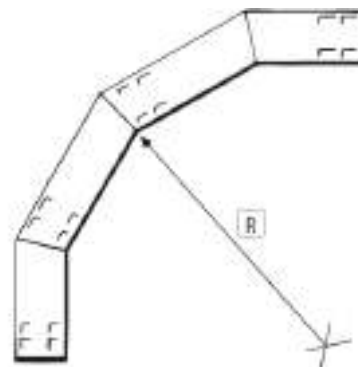
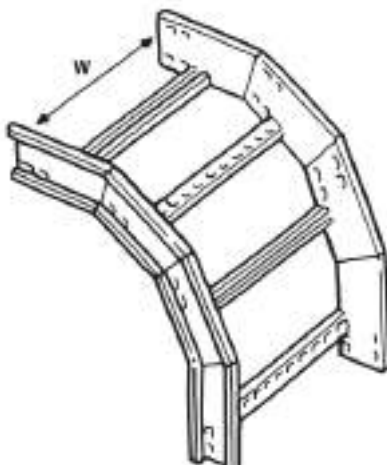
**Equal Tee**



**Equal Cross**



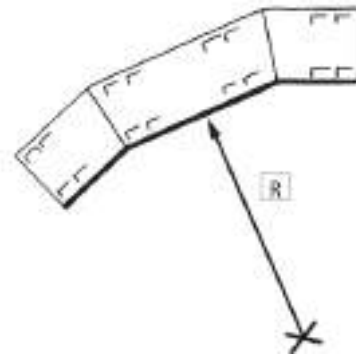
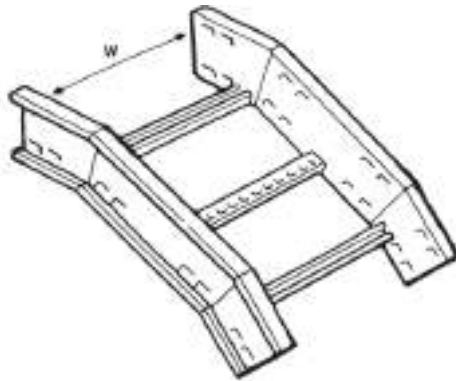
**Outside Riser - 90°**



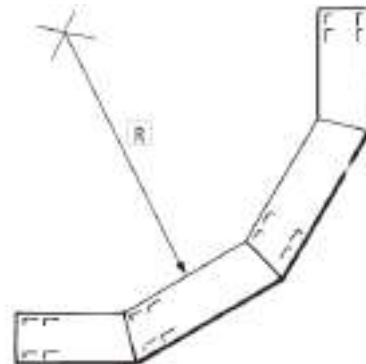
Please use codes on page B1 for [W], [R] and [D]

## Fittings

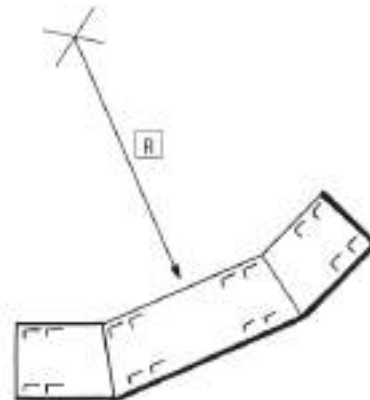
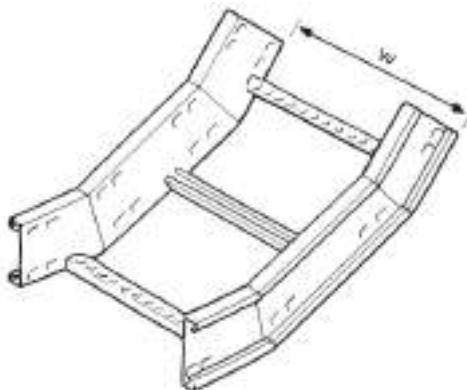
### Outside Riser - 45°



### Inside Riser - 90°



### Inside Riser - 45°



Please use codes on page 81 for [W], [R] and [D]

# Pipe Clips

Standard and Insulated Pipe Clips



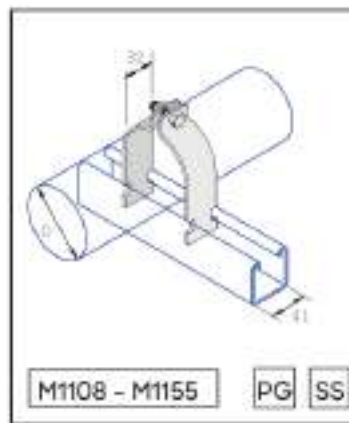


# Pipe Clips

## Sprinkler Hangers

Part No.	Depth		D	W	W x L	H1	H2	Wt	Finish	Approvals*
	PG	SS								
FL00212	-	-	1/2"	#	25 x 12	35	20	3.0	30	
FL00272	-	-	3/4"	#	25 x 12	35	20	5.0	30	FM LPCB
FL00342	-	-	1"	#	25 x 12	43	20	5.0	30	FM LPCB
FL00422	-	-	1 1/4"	#	25 x 12	50	30	5.0	50	FM LPCB
FL00482	-	-	1 1/2"	#	25 x 12	60	35	6.0	50	FM LPCB
FL00602	-	-	2"	#	25 x 12	60	30	7.0	50	FM LPCB
FL00762	-	-	2 1/2"	#	25 x 16	81	33	10.0	25	FM LPCB
FL00892	-	-	3"	#	25 x 16	85	40	10	25	FM LPCB
FL01142	-	-	4"	#	32 x 16	113	56	20.0	25	FM LPCB
FL01682	-	-	6"	#	32 x 25	145	60	40.0	20	FM LPCB
FL0292	-	-	8"	#	40 x 3.0	200	90	75.0	0	FM LPCB
FL02732	-	-	10"	#	50 x 3.0	250	100	150.0	0	

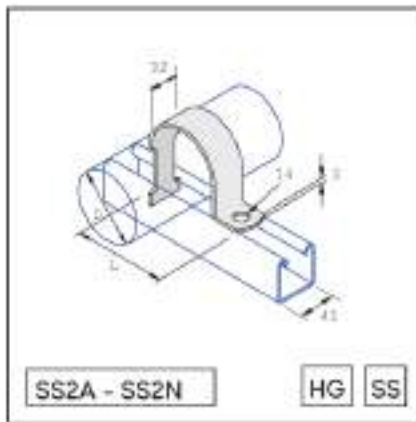
\*Approvals only applicable for finish **PG**



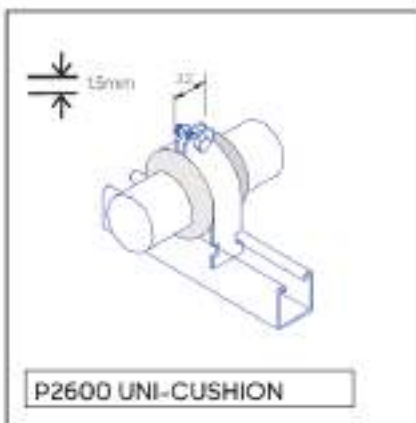
Part No.	Depth		D	W	Wt
	PG	SS			
M1108	-	-	8.7 - 10.3	35	20
M1109	-	-	10.3 - 12.7	31	20
M1110	-	-	11.9 - 13.5	38	20
M1111	-	-	13.5 - 14.3	38	20
M1112	-	-	14.3 - 16.7	40	20
M1113	-	-	15.9 - 18.3	41	20
M1114	-	-	16.3 - 20.0	40	20
M1115	-	-	16.0 - 21.4	47	20
M1116	-	-	21.4 - 25.4	49	20
M1117	-	-	25.4 - 27.8	53	20
M1118	-	-	27.0 - 30.2	64	20
M1119	-	-	30.2 - 33.8	72	20
M1120	-	-	31.8 - 35.9	72	20
M1121	-	-	34.9 - 39.7	79	20
M1122	-	-	39.7 - 42.9	84	20
M1123	-	-	42.9 - 46.8	90	20
M1124	-	-	46.8 - 50.8	128	20
M1125	-	-	48.4 - 52.4	131	20
M1126	-	-	52.4 - 58.7	137	20
M1127	-	-	58.7 - 63.5	150	20
M1128	-	-	63.5 - 68.3	160	20
M1129	-	-	68.3 - 73.0	164	20
M1130	-	-	73.0 - 79.4	171	20
M1131	-	-	76.2 - 82.6	175	20

Part No.	Depth		D	W	Wt
	PG	SS			
M1132	-	-	82.6 - 88.1	35	20
M1133	-	-	88.1 - 95.2	37	20
M1134	-	-	95.2 - 100.0	38	20
M1135	-	-	100.0 - 106.4	38	20
M1136	-	-	106.4 - 111	40	20
M1137	-	-	111 - 120.7	41	20
M1138	-	-	120.7 - 129.4	45	10
M1139	-	-	129.4 - 138.1	47	10
M1140	-	-	138.1 - 149.2	49	10
M1141	-	-	149.2 - 161.0	53	10
M1142	-	-	161.0 - 174.6	64	10
M1143	-	-	174.6 - 188.6	72	10
M1144	-	-	182.6 - 190.5	72	10
M1145	-	-	190.5 - 203.2	79	10
M1146	-	-	203.2 - 212.7	84	10
M1147	-	-	212.7 - 225.4	90	10
M1148	-	-	225.4 - 235.1	128	10
M1149	-	-	238.1 - 250.8	131	10
M1150	-	-	250.8 - 263.5	137	10
M1151	-	-	263.5 - 276.2	150	10
M1152	-	-	275.2 - 288.9	160	10
M1153	-	-	288.9 - 301.6	164	10
M1154	-	-	301.6 - 314.3	171	10
M1155	-	-	314.3 - 327.0	175	10

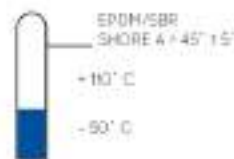
# Pipe Clips



Part No.	Series		T mm	D mm	L mm	A	B
	HG	SS					
SS2/A	-	-	15	21	66	0.06	75
SS2/B	-	-	20	27	73	0.07	75
SS2/C	-	-	25	34	81	0.09	75
SS2/D	-	-	32	43	90	0.10	50
SS2/E	-	-	40	48	96	0.12	75
SS2/F	-	-	50	60	96	0.14	40
SS2/G	-	-	63	76	113	0.17	25
SS2/H	-	-	80	90	125	0.20	25
SS2/J	-	-	90	102	137	0.22	10
SS2/K	-	-	100	115	150	0.25	10
SS2/L	-	-	125	140	175	0.30	10
SS2/M	-	-	150	168	204	0.36	10
SS2/N	-	-	200	220	255	0.46	10



Part No.	Dim mm	T mm	L mm	A
P2600	32	15	8	102

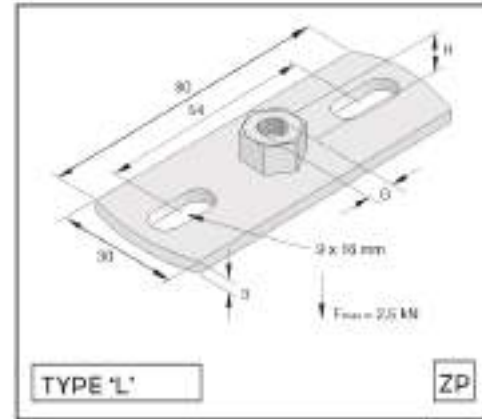


EPDM insulation for MT and SS2 series clips

# Pipe Clips

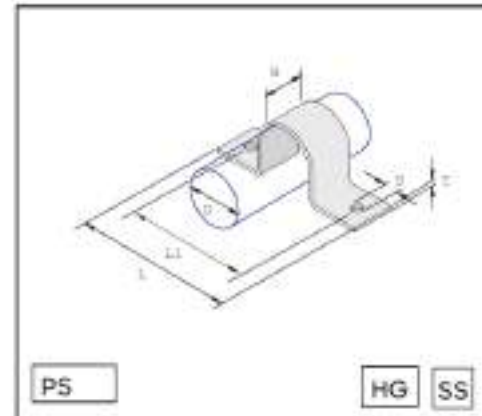
## Base Plates with Thread Connector

Part No.	Finish Zp	D	H	W	Wt	Image
		mm	mm	mm	gms	
146 00 21	-	M8	11	0.06	100	
146 01 01	-	M10	11	0.06	100	
146 01 21	-	M12	13	0.05	100	
146 01 08	-	M8/M10	17	0.06	100	
146 02 21	-	1/2"	15	0.07	50	
146 02 91	-	3/4"	20	0.09	50	



## Industrial Pipe Clamps

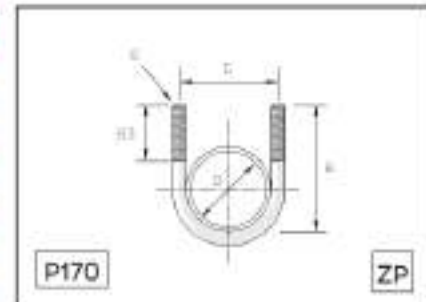
Part No.	SS	D	W x T	L	L1	
		inch	mm	mm	mm	
PS0153	PS0154	1/2"	15	40x3	11	58
PS0203	PS0204	3/4"	20	40x3	11	73
PS0253	PS0254	1"	25	40x3	11	80
PS0323	PS0324	1 1/4"	32	40x3	11	88
PS0403	PS0404	1 1/2"	40	40x3	11	94
PS0503	PS0504	2"	50	40x4	11	108
PS0653	PS0654	2 1/2"	65	40x4	11	124
PS0803	PS0804	3"	80	40x4	11	137
PS1003	PS1004	4"	100	40x4	14	162
PS1253	PS1254	5"	125	40x6	14	191
PS1503	PS1504	6"	150	40x6	14	220
PS2003	PS2004	8"	200	40x6	14	261
PS2503	PS2504	10"	250	50x6	18	325
PS3003	PS3004	12"	300	50x6	18	385



## Pipe Clips

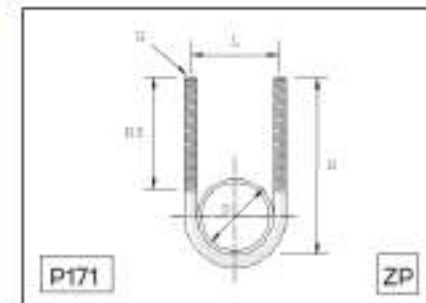
### U-Bolts

Part No.	Finish	Ø	DN	T	mm	H1	H	L	Qty
	ZP			"		mm	mm	mm	
070002102	-	M6	15	1/2"	21.3	20	37	29	100
070002112	-	M8	15	1/2"	21.3	20	37	31	100
070002702	-	M6	20	3/4"	26.9	25	48	34	100
070002712	-	M8	20	3/4"	26.9	25	48	36	100
070003402	-	M6	25	1"	33.7	32	60	41	100
070003412	-	M8	25	1"	33.7	30	44	41	100
070003422	-	M10	25	1"	33.7	30	52	46	100
070004202	-	M6	32	1 1/4"	42.4	35	67	52	100
070004222	-	M10	32	1 1/4"	42.4	35	67	54	100
070004812	-	M8	40	1 1/2"	48.3	40	78	57	100
070004822	-	M10	40	1 1/2"	48.3	40	78	59	100
070005012	-	M8	50	2"	60.3	35	90	71	100
070005022	-	M10	50	2"	60.3	40	90	73	100
070006032	-	M12	50	2"	60.3	35	90	75	100
070007622	-	M10	65	2 1/2"	76.1	40	103	89	100
070007632	-	M12	65	2 1/2"	76.1	35	105	91	100
070008912	-	M10	80	3"	88.9	50	115	100	50
070008932	-	M12	80	3"	88.9	38	115	102	50
070011422	-	M10	100	4"	114.3	50	146	124	50
070011432	-	M12	100	4"	114.3	50	144	126	50
070011442	-	M16	100	4"	114.3	38	140	130	50
070016932	-	M12	95	5"	109.7	60	173	156	25
070018942	-	M16	125	5"	127.0	38	170	160	25
070016832	-	M12	150	6"	168.3	60	198	182	25
070016842	-	M16	150	6"	168.3	38	191	186	25
070021932	-	M12	200	8"	219.1	60	255	236	25
070021942	-	M16	200	8"	219.1	38	255	240	25
070027332	-	M12	250	10"	273.0	60	319	290	1
070027342	-	M16	250	10"	273.0	38	319	294	1
070032432	-	M12	300	12"	323.9	60	364	341	1
070032442	-	M16	300	12"	323.9	38	364	345	1
070032452	-	M20	300	12"	323.9	38	364	349	1



Pipe Clips

Part No.	Finish	Ø	DN	T	mm	H1	H	L	Qty
	ZP			"		mm	mm	mm	
070002102	-	M6	15	1/2"	21.3	20	37	29	100
070002112	-	M8	15	1/2"	21.3	20	37	31	100
070002702	-	M6	20	3/4"	26.9	25	48	34	100
070002712	-	M8	20	3/4"	26.9	25	48	36	100
070003402	-	M6	25	1"	33.7	32	60	41	100
070003412	-	M8	25	1"	33.7	30	44	41	100
070003422	-	M10	25	1"	33.7	30	52	46	100
070004202	-	M6	32	1 1/4"	42.4	35	67	52	100
070004222	-	M10	32	1 1/4"	42.4	35	67	54	100
070004812	-	M8	40	1 1/2"	48.3	40	78	57	100
070004822	-	M10	40	1 1/2"	48.3	40	78	59	100
070006012	-	M8	50	2"	60.3	35	90	71	100
070006022	-	M10	50	2"	60.3	40	90	73	100
070007622	-	M10	65	2 1/2"	76.1	40	103	89	100
070008922	-	M10	80	3"	88.9	50	115	100	50
070008932	-	M12	80	3"	88.9	38	115	102	50
070011422	-	M10	100	4"	114.3	50	146	124	50
070011432	-	M12	100	4"	114.3	50	144	126	50
070016932	-	M12	95	5"	109.7	60	173	156	25
070018942	-	M16	125	5"	127.0	38	170	160	25
070016832	-	M12	150	6"	168.3	60	198	182	25
070016842	-	M16	150	6"	168.3	38	191	186	25
070021932	-	M12	200	8"	219.1	60	255	236	25
070021942	-	M16	200	8"	219.1	38	255	240	25
070027332	-	M12	250	10"	273.0	60	319	290	1
070027342	-	M16	250	10"	273.0	38	319	294	1
070032432	-	M12	300	12"	323.9	60	364	341	1
070032442	-	M16	300	12"	323.9	38	364	345	1
070032452	-	M20	300	12"	323.9	38	364	349	1





FLY<sup>⚡</sup>TEC  
SYSTEMS LIMITED

# SURFACE TRUNKING



## Single Compartment Cable Trunking Accessories



Trunking Length - **TR**

Top Lid 45° Bend - **FB**

Inside Lid 45° Bend - **IB**



**Standard**

**Standard**

Size mm	Product Code* Single	Finish
50 x 50	FB22	PG
75 x 50	FB32	PG
75 x 75	FB33	PG
100 x 50	FB42	PG
100 x 75	FB43	PG
100 x 100	FB44	PG
150 x 50	FB62	PG
150 x 75	FB63	PG
150 x 100	FB64	PG
150 x 150	FB66	PG
225 x 50	FB92	PG
225 x 75	FB93	PG
225 x 100	FB94	PG
225 x 150	FB96	PG
225 x 225	FB99	PG
300 x 75	FB123	PG
300 x 100	FB124	PG
300 x 150	FB126	PG
300 x 300	FB1212	PG

Size mm	Product Code* Single	Finish
50 x 50	IB22	PG
75 x 50	IB32	PG
75 x 75	IB33	PG
100 x 50	IB42	PG
100 x 75	IB43	PG
100 x 100	IB44	PG
150 x 50	IB62	PG
150 x 75	IB63	PG
150 x 100	IB64	PG
150 x 150	IB66	PG
225 x 50	IB92	PG
225 x 75	IB93	PG
225 x 100	IB94	PG
225 x 150	IB96	PG
225 x 225	IB99	PG
300 x 75	IB123	PG
300 x 100	IB124	PG
300 x 150	IB126	PG
300 x 300	IB1212	PG

## Single Compartment Cable Trunking Accessories

Outside Lid 45° Bend - **EB**



Standard

Size mm	Product Code* Single	Finish
50 x 50	EB22	PG
75 x 50	EB32	PG
75 x 75	EB33	PG
100 x 50	EB42	PG
100 x 75	EB43	PG
100 x 100	EB44	PG
150 x 50	EB62	PG
150 x 75	EB63	PG
150 x 100	EB64	PG
150 x 150	EB66	PG
225 x 50	EB92	PG
225 x 75	EB93	PG
225 x 100	EB94	PG
225 x 150	EB96	PG
225 x 225	EB99	PG
300 x 75	EB123	PG
300 x 100	EB124	PG
300 x 150	EB126	PG
300 x 300	EB1212	PG

Top Lid Tee - **FGT**



Standard

Size mm	Product Code* Single	Finish
50 x 50	FGT22	PG
75 x 50	FGT32	PG
75 x 75	FGT33	PG
100 x 50	FGT42	PG
100 x 75	FGT43	PG
100 x 100	FGT44	PG
150 x 50	FGT62	PG
150 x 75	FGT63	PG
150 x 100	FGT64	PG
150 x 150	FGT66	PG
225 x 50	FGT92	PG
225 x 75	FGT93	PG
225 x 100	FGT94	PG
225 x 150	FGT96	PG
225 x 225	FGT99	PG
300 x 75	FGT123	PG
300 x 100	FGT124	PG
300 x 150	FGT126	PG
300 x 300	FGT1212	PG

## Single Compartment Cable Trunking Accessories

Top Lid 90° Bend Gusset - **FGB**



**Standard**

Size mm	Product Code*	Finish
50 x 50	FGB22	PG
75 x 50	FGB32	PG
75 x 75	FGB33	PG
100 x 50	FGB42	PG
100 x 75	FGB43	PG
100 x 100	FGB44	PG
150 x 50	FGB62	PG
150 x 75	FGB63	PG
150 x 100	FGB64	PG
150 x 150	FGB66	PG
225 x 50	FGB92	PG
225 x 75	FGB93	PG
225 x 100	FGB94	PG
225 x 150	FGB96	PG
225 x 225	FGB99	PG
300 x 75	FGB123	PG
300 x 100	FGB124	PG
300 x 150	FGB126	PG
300 x 300	FGB1212	PG

Top Lid 90° Bend Square - **FSB**



**Standard**

Size mm	Product Code*	Finish
50 x 50	FSB22	PG
75 x 50	FSB32	PG
75 x 75	FSB33	PG
100 x 50	FSB42	PG
100 x 75	FSB43	PG
100 x 100	FSB44	PG
150 x 50	FSB62	PG
150 x 75	FSB63	PG
150 x 100	FSB64	PG
150 x 150	FSB66	PG
225 x 50	FSB92	PG
225 x 75	FSB93	PG
225 x 100	FSB94	PG
225 x 150	FSB96	PG
225 x 225	FSB99	PG
300 x 75	FSB123	PG
300 x 100	FSB124	PG
300 x 150	FSB126	PG
300 x 300	FSB1212	PG



## Single Compartment Cable Trunking Accessories

Inside Lid 90° Bend Gusset - **IGB**

Inside Lid 90° Bend Square - **ISB**



**Standard**

Size mm	Product Code*	Finish
50 x 50	IGB22	PG
75 x 50	IGB32	PG
75 x 75	IGB33	PG
100 x 50	IGB42	PG
100 x 75	IGB43	PG
100 x 100	IGB44	PG
150 x 50	IGB62	PG
150 x 75	IGB63	PG
150 x 100	IGB64	PG
150 x 150	IGB66	PG
225 x 50	IGB92	PG
225 x 75	IGB93	PG
225 x 100	IGB94	PG
225 x 150	IGB96	PG
225 x 225	IGB99	PG
300 x 75	IGB123	PG
300 x 100	IGB124	PG
300 x 150	IGB126	PG
300 x 300	RJ1212GB190	PG



**Standard**

Size mm	Product Code*	Finish
50 x 50	ISB22	PG
75 x 50	ISB32	PG
75 x 75	ISB33	PG
100 x 50	ISB42	PG
100 x 75	ISB43	PG
100 x 100	ISB44	PG
150 x 50	ISB63	PG
150 x 75	ISB62	PG
150 x 100	ISB64	PG
150 x 150	ISB66	PG
225 x 50	ISB92	PG
225 x 75	ISB93	PG
225 x 100	ISB94	PG
225 x 150	ISB96	PG
225 x 225	ISB99	PG
300 x 75	ISB123	PG
300 x 100	ISB124	PG
300 x 150	ISB126	PG
300 x 300	ISB1212	PG

## Single Compartment Cable Trunking Accessories

Outside Lid 90° Bend Gusset - **EGB**

Outside Lid 90° Bend Square - **ESB**



**Standard**

Size mm	Product Code*	Finish
50 x 50	EGB22	PG
75 x 50	EGB32	PG
75 x 75	EGB33	PG
100 x 50	EGB42	PG
100 x 75	EGB43	PG
100 x 100	EGB44	PG
150 x 50	EGB62	PG
150 x 75	EGB63	PG
150 x 100	EGB64	PG
150 x 150	EGB66	PG
225 x 50	EGB92	PG
225 x 75	EGB93	PG
225 x 100	EGB94	PG
225 x 150	EGB96	PG
225 x 225	EGB99	PG
300 x 75	EGB123	PG
300 x 100	EGB124	PG
300 x 150	EGB126	PG
300 x 300	EGB1212	PG



**Standard**

Size mm	Product Code*	Finish
50 x 50	ESB22	PG
75 x 50	ESB32	PG
75 x 75	ESB33	PG
100 x 50	ESB42	PG
100 x 75	ESB43	PG
100 x 100	ESB44	PG
150 x 50	ESB62	PG
150 x 75	ESB63	PG
150 x 100	ESB64	PG
150 x 150	ESB66	PG
225 x 50	ESB92	PG
225 x 75	ESB93	PG
225 x 100	ESB94	PG
225 x 150	ESB96	PG
225 x 225	ESB99	PG
300 x 75	ESB123	PG
300 x 100	ESB124	PG
300 x 150	ESB126	PG
300 x 300	ESB1212	PG

## Single Compartment Cable Trunking Accessories

Inside Lid Tees Gussett - **FST**

Top Lid Tees Square - **FST**



**Standard**

Size mm	Product Code*	Finish
50 x 50	IGT22	PG
75 x 50	IGT32	PG
75 x 75	IGT33	PG
100 x 50	IGT42	PG
100 x 75	IGT43	PG
100 x 100	IGT44	PG
150 x 50	IGT62	PG
150 x 75	IGT63	PG
150 x 100	IGT64	PG
150 x 150	IGT66	PG
225 x 50	IGT92	PG
225 x 75	IGT93	PG
225 x 100	IGT94	PG
225 x 150	IGT96	PG
225 x 225	IGT99	PG
300 x 75	IGT123	PG
300 x 100	IGT124	PG
300 x 150	IGT126	PG
300 x 300	IGT1212	PG

**Standard**

Size mm	Product Code*	Finish
50 x 50	FST22	PG
75 x 50	FST32	PG
75 x 75	FST33	PG
100 x 50	FST42	PG
100 x 75	FST43	PG
100 x 100	FST44	PG
150 x 50	FST62	PG
150 x 75	FST63	PG
150 x 100	FST64	PG
150 x 150	FST66	PG
225 x 50	FST92	PG
225 x 75	FST93	PG
225 x 100	FST94	PG
225 x 150	FST96	PG
225 x 225	FST99	PG
300 x 75	FST123	PG
300 x 100	FST124	PG
300 x 150	FST126	PG
300 x 300	FST1212	PG

## Single Compartment Cable Trunking Accessories

Outside Lid Tee Gusset - **EGT**

Cross Over - **CO**



**Standard**

Size mm	Product Code*	Finish
50 x 50	EGT22	PG
75 x 50	EGT32	PG
75 x 75	EGT33	PG
100 x 50	EGT42	PG
100 x 75	EGT43	PG
100 x 100	EGT44	PG
150 x 50	EGT62	PG
150 x 75	EGT63	PG
150 x 100	EGT64	PG
150 x 150	EGT66	PG
225 x 50	EGT92	PG
225 x 75	EGT93	PG
225 x 100	EGT94	PG
225 x 150	EGT96	PG
225 x 225	EGT99	PG
300 x 75	EGT123	PG
300 x 100	EGT124	PG
300 x 150	EGT126	PG
300 x 300	EGT1212	PG



**Standard**

Size mm	Product Code*	Finish
50 x 50	CO22	PG
75 x 50	CO32	PG
75 x 75	CO33	PG
100 x 50	CO42	PG
100 x 75	CO43	PG
100 x 100	CO44	PG
150 x 50	CO62	PG
150 x 75	CO63	PG
150 x 100	CO64	PG
150 x 150	CO66	PG
225 x 50	CO92	PG
225 x 75	CO93	PG
225 x 100	CO94	PG
225 x 150	CO96	PG
225 x 225	CO99	PG
300 x 75	CO123	PG
300 x 100	CO124	PG
300 x 150	CO126	PG
300 x 300	CO1212	PG

## Single Compartment Cable Trunking Accessories

### Bell Mouth - **BM**



#### Standard

Size mm	Product Code*	Finish
50 x 50	BM22	PG
75 x 50	BM32	PG
75 x 75	BM33	PG
100 x 50	BM42	PG
100 x 75	BM43	PG
100 x 100	BM44	PG
150 x 50	BM62	PG
150 x 75	BM63	PG
150 x 100	BM64	PG
150 x 150	BM66	PG
225 x 50	BM92	PG
225 x 75	BM93	PG
225 x 100	BM94	PG
225 x 150	BM96	PG
225 x 225	BM99	PG
300 x 75	BM123	PG
300 x 100	BM124	PG
300 x 150	BM126	PG
300 x 300	BM1212	PG

### Reducer - **RED**



#### Standard

Size mm	Product Code*	Finish
50 x 50	RED22	PG
75 x 50	RED32	PG
75 x 75	RED33	PG
100 x 50	RED42	PG
100 x 75	RED43	PG
100 x 100	RED44	PG
150 x 50	RED62	PG
150 x 75	RED63	PG
150 x 100	RED64	PG
150 x 150	RED66	PG
225 x 50	RED92	PG
225 x 75	RED93	PG
225 x 100	RED94	PG
225 x 150	RED96	PG
225 x 225	RED99	PG
300 x 75	RED123	PG
300 x 100	RED124	PG
300 x 150	RED126	PG
300 x 300	RED1212	PG

## Single Compartment Cable Trunking Accessories

Horizontal Offset L/H - **H/OS/LH**

Horizontal Offset R/H - **H/OS/RH**



**Standard**

**Standard**

Size mm	Product Code*	Finish
50 x 50	H/OS/LH22	PG
75 x 50	H/OS/LH32	PG
75 x 75	H/OS/LH33	PG
100 x 50	H/OS/LH42	PG
100 x 75	H/OS/LH43	PG
100 x 100	H/OS/LH44	PG
150 x 50	H/OS/LH62	PG
150 x 75	H/OS/LH63	PG
150 x 100	H/OS/LH64	PG
150 x 150	H/OS/LH66	PG
225 x 50	H/OS/LH92	PG
225 x 75	H/OS/LH93	PG
225 x 100	H/OS/LH94	PG
225 x 150	H/OS/LH96	PG
225 x 225	H/OS/LH99	PG
300 x 75	H/OS/LH123	PG
300 x 100	H/OS/LH124	PG
300 x 150	H/OS/LH126	PG
300 x 300	H/OS/LH1212	PG

Size mm	Product Code*	Finish
50 x 50	H/OS/RH22	PG
75 x 50	H/OS/RH32	PG
75 x 75	H/OS/RH33	PG
100 x 50	H/OS/RH42	PG
100 x 75	H/OS/RH43	PG
100 x 100	H/OS/RH44	PG
150 x 50	H/OS/RH62	PG
150 x 75	H/OS/RH63	PG
150 x 100	H/OS/RH64	PG
150 x 150	H/OS/RH66	PG
225 x 50	H/OS/RH92	PG
225 x 75	H/OS/RH93	PG
225 x 100	H/OS/RH94	PG
225 x 150	H/OS/RH96	PG
225 x 225	H/OS/RH99	PG
300 x 75	H/OS/RH123	PG
300 x 100	H/OS/RH124	PG
300 x 150	H/OS/RH126	PG
300 x 300	H/OS/RH1212	PG

## Single Compartment Cable Trunking Accessories

Vertical Offset - **V/OS**



**Standard**

Size mm	Product Code*	Finish
50 x 50	V/OS22	PG
75 x 50	V/OS32	PG
75 x 75	V/OS33	PG
100 x 50	V/OS42	PG
100 x 75	V/OS43	PG
100 x 100	V/OS44	PG
150 x 50	V/OS62	PG
150 x 75	V/OS63	PG
150 x 100	V/OS64	PG
150 x 150	V/OS66	PG
225 x 50	V/OS92	PG
225 x 75	V/OS93	PG
225 x 100	V/OS94	PG
225 x 150	V/OS96	PG
225 x 225	V/OS99	PG
300 x 75	V/OS123	PG
300 x 100	V/OS124	PG
300 x 150	V/OS126	PG
300 x 300	V/OS1212	PG

Stop End - **EC**



**Standard**

Size mm	Product Code*	Finish
50 x 50	EC22	PG
75 x 50	EC32	PG
75 x 75	EC33	PG
100 x 50	EC42	PG
100 x 75	EC43	PG
100 x 100	EC44	PG
150 x 50	EC62	PG
150 x 75	EC63	PG
150 x 100	EC64	PG
150 x 150	EC66	PG
225 x 50	EC92	PG
225 x 75	EC93	PG
225 x 100	EC94	PG
225 x 150	EC96	PG
225 x 225	EC99	PG
300 x 75	EC123	PG
300 x 100	EC124	PG
300 x 150	EC126	PG
300 x 300	EC1212	PG

## Single Compartment Cable Trunking Accessories

Flange - **FE**



**Standard**

Size mm	Product Code*	Finish
50 x 50	FE22	PG
75 x 50	FE32	PG
75 x 75	FE33	PG
100 x 50	FE42	PG
100 x 75	FE43	PG
100 x 100	FE44	PG
150 x 50	FE62	PG
150 x 75	FE63	PG
150 x 100	FE64	PG
150 x 150	FE66	PG
225 x 50	FE92	PG
225 x 75	FE93	PG
225 x 100	FE94	PG
225 x 150	FE96	PG
225 x 225	FE99	PG
300 x 75	FE123	PG
300 x 100	FE124	PG
300 x 150	FE126	PG
300 x 300	FE1212	PG

Hanger (10mm hole) - **HC**



**Standard**

Size mm	Product Code*	Finish
50 x 50	HC22	PG
75 x 50	HC32	PG
75 x 75	HC33	PG
100 x 50	HC42	PG
100 x 75	HC43	PG
100 x 100	HC44	PG
150 x 50	HC62	PG
150 x 75	HC63	PG
150 x 100	HC64	PG
150 x 150	HC66	PG
225 x 50	HC92	PG
225 x 75	HC93	PG
225 x 100	HC94	PG
225 x 150	HC96	PG
225 x 225	HC99	PG
300 x 75	HC123	PG
300 x 100	HC124	PG
300 x 150	HC126	PG
300 x 300	HC1212	PG



## Single Compartment Cable Trunking Accessories

### Twin Socket Lid - TSO



#### Standard

Size mm	Product Code*	Finish
50 x 50	TSO22	PG
75 x 50	TSO32	PG
75 x 75	TSO33	PG
100 x 50	TSO42	PG
100 x 75	TSO43	PG
100 x 100	TSO44	PG
150 x 50	TSO62	PG
150 x 75	TSO63	PG
150 x 100	TSO64	PG
150 x 150	TSO66	PG
225 x 50	TSO92	PG
225 x 75	TSO93	PG
225 x 100	TSO94	PG
225 x 150	TSO96	PG
225 x 225	TSO99	PG
300 x 75	TSO123	PG
300 x 100	TSO124	PG
300 x 150	TSO126	PG
300 x 300	TSO1212	PG

### Single Socket Lid - SSO



#### Standard

Size mm	Product Code*	Finish
50 x 50	SSO22	PG
75 x 50	SSO32	PG
75 x 75	SSO33	PG
100 x 50	SSO42	PG
100 x 75	SSO43	PG
100 x 100	SSO44	PG
150 x 50	SSO62	PG
150 x 75	SSO63	PG
150 x 100	SSO64	PG
150 x 150	SSO66	PG
225 x 50	SSO92	PG
225 x 75	SSO93	PG
225 x 100	SSO94	PG
225 x 150	SSO96	PG
225 x 225	SSO99	PG
300 x 75	SSO123	PG
300 x 100	SSO124	PG
300 x 150	SSO126	PG
300 x 300	SSO1212	PG

## Single Compartment Cable Trunking Accessories



Earth Links

ES99



Lid Fixing

TB1



Lid Fixing (75mm width)

TB1/3



Pin Rack

VT



Cable Retainer

CS

## Multi-Compartment Cable Trunking

Fly-overs are supplied with all tees and crossovers.

Approximately 50% of cable capacity is lost when fitting a fly-over.



## Gasketed Trunking for External Use

All the sizes shown in our single and multi-compartment sections can be manufactured to prevent ingress of dust and liquids.

This innovative system is designed with an outward returned flange on the body with an overlapping lid, which is fitted with a neoprene gasket on both sides along its entire length. When installed, the gasket is compressed between body and lid by screws which fix into captive bushes on the outward flanges.

Trunking manufactured to this design will provide IP54 protection and is supplied in 2 metres lengths maximum.

We also offer a complete range of fully gasketed accessories.

Contact the team for more information



## IP4X

External IP4X Couplers are available with our Surface Trunking range to meet IP4X standards.

- Quick click system with IP4X sleeve
- No additional parts required
- Retro-fit system - Install once in situ
- Fully certified to IP4X standard

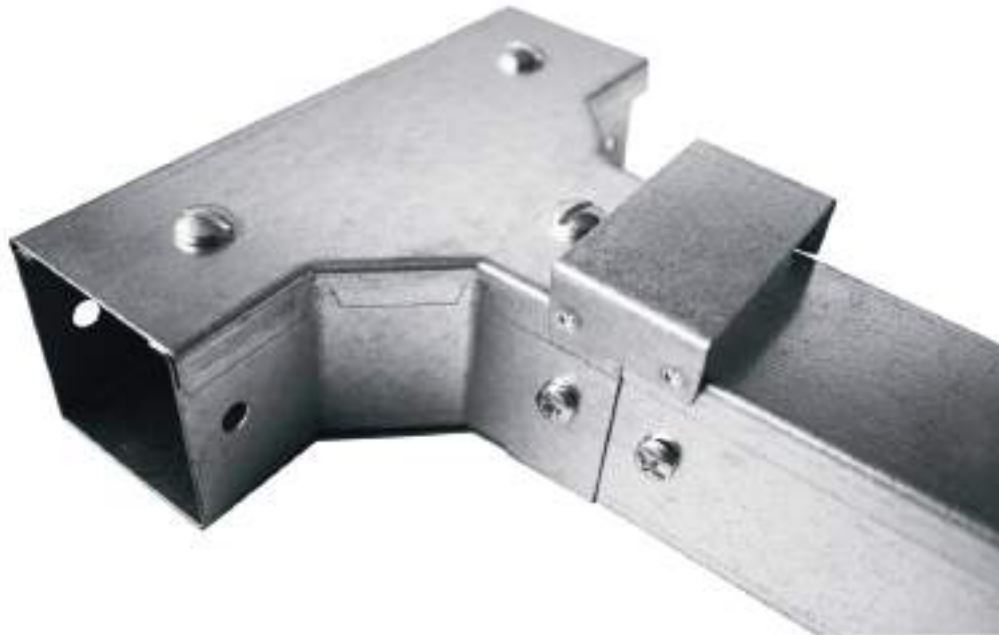


Image shows Top Lid Tee (FGT) with Trunking Length (TR) & IP4X Coupler



FLY⚡TEC  
SYSTEMS LIMITED

# PERIMETER SYSTEMS



## PERIMETER SYSTEMS CONTENTS

Contents	Page Number
Skirting Trunking	Page 146
Skirting & Dado Accessories	Page 147
Dado Trunking	Page 149
Bench Trunking	Page 151

## Skirting Trunking

Our skirting trunking is supplied in 2 metre lengths, comprising a galvanised sheet steel body with powder coated overlapping lid, in the colour white as standard. A cover strap is provided with each length of lid. This reduces the necessity for special on-site cutting requirements, as the strap covers any cut edges.

### Features:

- 20mm knockouts in the partition at the 250mm centres, allowing easy positioning of outlet plates, which require screening via the steel back box that fixes to the partition.
- Chamfered or flat top options as standard.
- Other powder coated finishes are available even when only a short run of trunking is required.
- 2 or 3 compartments are most commonly used. However, systems to suit client's individual requirements can be manufactured with the same short lead time.



**150mm x 50mm - TF62/2C**

2 Compartment, top 50mm - bottom 100mm



**200mm x 50mm - TF82/3C**

3 Compartment, top 50mm, centre 100mm  
bottom 50mm



**150mm x 50mm - TC62/2C**

2 Compartment, top 50mm - bottom 100mm



**200mm x 50mm - TC82/3C**

3 Compartment, top 50mm, centre  
100mm & bottom 50mm



## Skirting & Dado Trunking Accessories



Internal Bend **IB**



External Bend **EB**



Flat Bend (downward) **FSB/D**



Flat Bend (upward) **FSB/U**



Flat tee left hand (up) **FST/LH-U**



Flat tee right hand (up) **FST/RH-U**



Internal tee left hand **IST/LH**



Internal tee right hand **IST/RH**



Flat tee (downward) **FST/D**



External tee left hand **EST/LH**

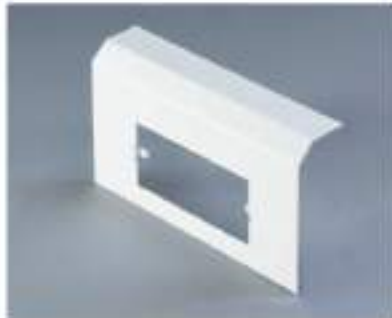


External tee right hand **EST/RH**



Additional cover strap **STRAP**

## Skirting & Dado Trunking Accessories



Twin Bend (downward) TSO



Single Bend (downward) SSO



Back Box

SS/SB



End cap left hand EC/LH



End cap righthand EC/RH

### How to order:

- Accessory part numbers are the same for all styles of skirting and dado. It is the trunking part number pre-fixed before the accessory that ensures you get the correct item.

### For example:

A twin socket outlet lid for 200mm x 50mm, 3 compartment flat top skirting.

Take trunking reference TF82/3C + accessory part number TSO to give TF82/3C TSO

### Factory Manufactured Sets

Pier sets and off sets can be pre-made, therefore minimising labour costs. A member of our technical staff can advise and assist for all on-site measurements. Contact us today!

## Dado Trunking

Our dado trunking is supplied in 2 metre lengths. Manufactured to the same high quality as our skirting trunking. Dado trunking is designed to be installed around the perimeter above floor level, thus allowing for optimum use of floor space.

### Features:

- Chamfer top, flat top or double chamfer options available as standard
- 20mm knockouts in the partition at the 250mm centres, allowing easy positioning of outlet plates, which require screening via the steel back box that fixes to the partition.
- Other powder coated finishes are available even when only a short run of trunking is required.
- 2 or 3 compartments are most commonly used. However, systems to suit client's individual requirements can be manufactured with the same short lead time



**150mm x 50mm - SD62/2C**  
2 Compartment, top 50mm - bottom 100mm



**200mm x 50mm - SD82/3C**  
3 Compartment, top 50mm, centre 100mm  
bottom 50mm



**150mm x 50mm - CD62/2C**  
2 Compartment, top 50mm - bottom 100mm



**200mm x 50mm - CD82/3C**  
3 Compartment, top 50mm, centre  
100mm & bottom 50mm

## Dado Trunking



200mm x 50 mm **DCD82/2C**

2 Compartment, top 50mm, bottom 100mm



200mm x 50 mm **DCD82/3C**

3 Compartment, top 50mm, centre 100mm,  
bottom 50mm

### How to order:

- Accessory part numbers are the same for all styles of skirting and dado. It is the trunking part number pre-fixed before the accessory that ensures you get the correct item.

### For example:

- An external bend for 200mm x 50mm, 2 compartment double chamfer dado.
- Take trunking reference DCD82/2C + accessory part number ESB to give DCD82/2C ESB

\*Accessories for Skirting & Dado Trunking are the same.

## Bench Trunking

Our Bench Trunking is supplied in 2 metre lengths.

It comprises of a single compartment angled body with a powder-coated lid, with the colour white as standard. Each length and accessory is supplied with an internal connector

This easy to install system offers a practical solution to provide services on benches and desks, commonly used in laboratories, workshops and schools/colleges.



90mm x 90mm Bench Trunking R35



90° Internal Bend R35/ISB



90° External Bend R35/ESB



Stop End R35/EC



Twin Socket Lid R35/TSD



Single Socket Lid R35/SSO



FLY<sup>⚡</sup>TEC  
SYSTEMS LIMITED

# FLOOR SYSTEMS



## FLOOR SYSTEMS CONTENTS

Contents	Page Number
Flush Floor Shallow Screeds	Page 154
D6 Flush Floor Trunking Service Outlet Systems	Page 156
D6 Flush Floor Trunking Accessories	Page 157
D6 Flush Floor Trunking Service Outlet Boxes	Page 158
Under Floor Trunking & Accessories	Page 159
Service Outlet Boxes	Page 163

## Flush Floor Shallow Screeds

Our Flush floor trunking body is supplied in 2 metre lengths complete with 2 x 1 metre lengths of lid secured by means of flush, all steel truckbuckle fasteners. Each length of Flytec trunking is supplied with one external fitting connector.

Lids are manufactured from 3mm thick galvanised steel. They are fully removable and may be flush or recessed by 3mm as standard. Other depths of recess can also be supplied.

It is advisable that all lid sections are fitted during screeding. This will prevent any slight inward movement to the sides of trunking body.

We recommend that Flush floor trunking is installed on a ribbon screed or similar to ensure support along the entire length and width of the system.



150mm x 38mm

D1/615/2C

150mm x 50mm

D1/62/2C



150mm x 38mm

D2/615/2C

150mm x 50mm

D2/62/2C



228mm x 38mm

D1/915/3C

228mm x 38mm

D1/92/2C



228mm x 38mm

D2/915/3C

228mm x 38mm

D2/92/2C

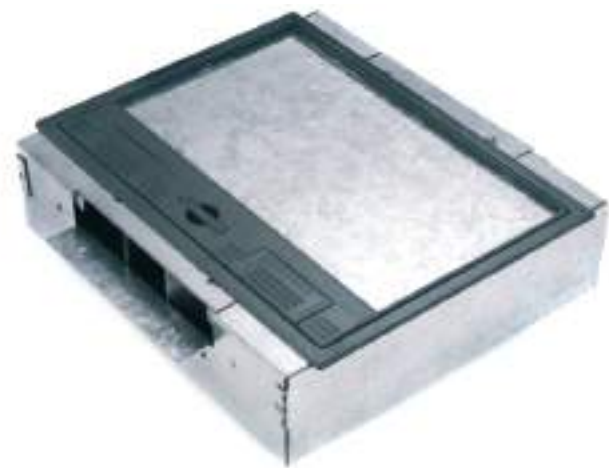


## Flush Floor Shallow Screeds

Service outlet boxes are available for shallow screed trunking.

- The underside of the box must be set lower into the floor to enable cables to pass under the socket outlet plates whilst maintaining lids to finish level with screed.

- Carpet trim and lid assembly are manufactured in a tough plastic moulding which has two individual hinged cable outlets in dark grey. The lid is reinforced by a 3mm steel plate. Carpet recess is 6mm.



2 Compartment Service Box  
(1 RJ45 Plate & 1 Twin Socket)

D1/SB2/ITS

3 Compartment Service Box  
(1 RJ45 Plate, 1 Blank Plate & 1 Twin Socket)

D1/SB3/ITS



Angle Junction Box

ASL



Tee Junction Box

AST



Crossover Junction Box

ASX



Riser Bend

ISB



Riser Bend (back entry)

ISB/BE



Stop End

EC

\*Additional sockets or variation of plates can be supplied on request.

## D6 Flush Floor Trunking Service Outlet Systems

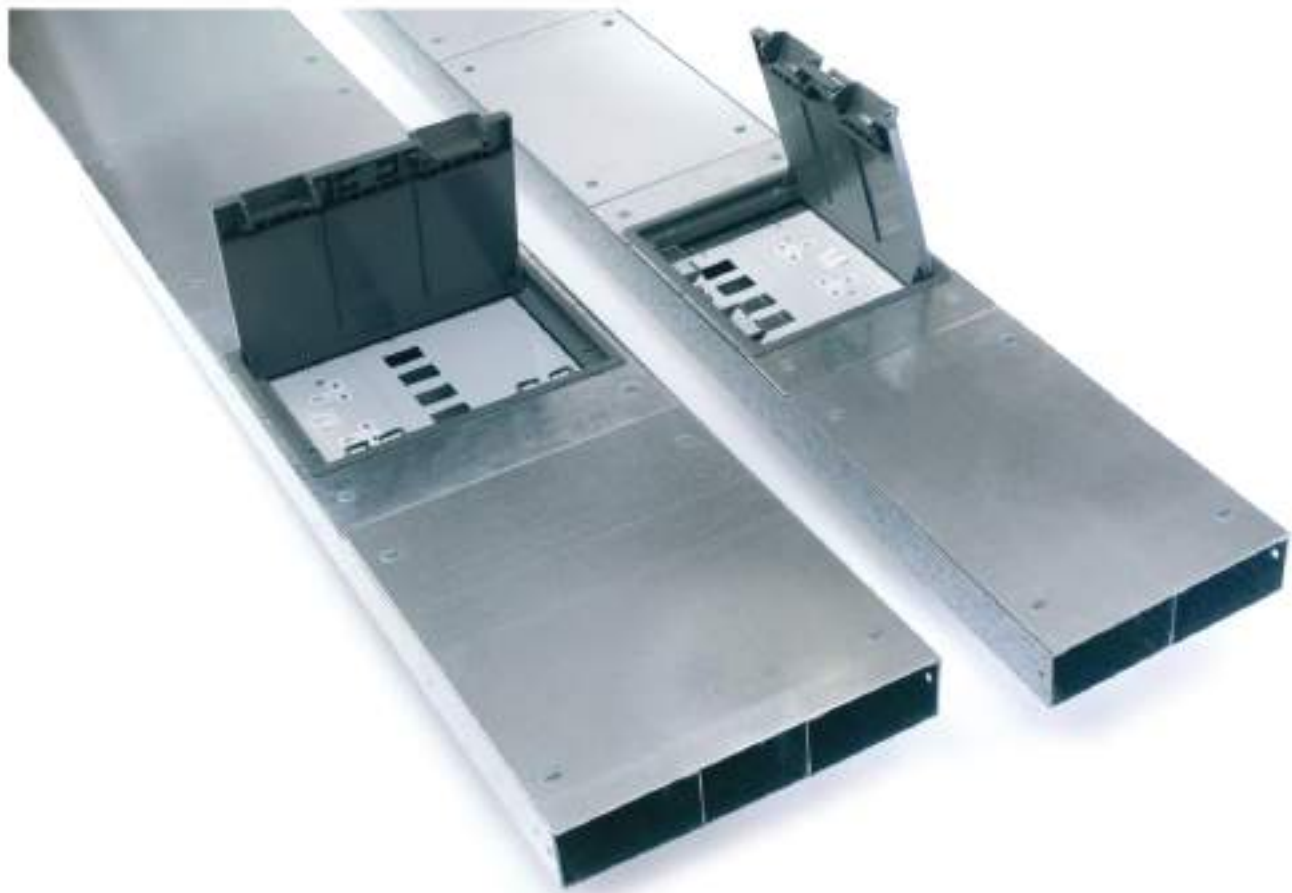
Supplied in 2 metre lengths, our flush floor trunking includes 400mm lengths of removable lid which are interchangeable with a service outlet box, thus giving the designer flexibility of positioning within a screeded floor installation.

Flytec lids that are manufactured from 3mm thick galvanised steel are fixed to the trunking body by countersunk zinc plated steel turnbuckle fasteners, providing speed of fitting by the installer and maximum rigidity of the finished product.

### Key Features

- Available in two or three compartments
- It is advisable that all lid sections are fitted during screeding. This will prevent any slight inward movement to the sides of trunking body.

**\*We recommend that flush floor trunking is installed on a ribbon screed or similar to ensure support along the entire length and width of the system.**



## D6 Flush Floor Trunking and Accessories

### D6 Flush Floor Trunking - Two and Three Compartment



2 Compartment Size 235mm x 65mm

D6/C/15



3 Compartment Size 330mm x 65mm

D6/C/16

### D6 Flush Floor Trunking Accessories



Angle Junction Box

ASL



Crossover Junction Box

ASX



Tee Junction Box

AST



Riser Bend (back entry)

ISB/BE



Riser Bend

ISB



Stop End

EC

For ordering details just prefix the trunking part number with the accessory reference.

## D6 Flush Floor Trunking Service Outlet Boxes

### Two Compartment Service Box

- 2 compartment service box designed to fit into the trunking anywhere along the system layout excluding junction points.

- Supplied with one RJ45 plate and a panel mounted dual earth twin switched socket.



Two Compartment Service Box **D6/C/15-SB/ITS**

### Three Compartment Service Box

- 3 compartment service box designed to fit into the trunking anywhere along the system layout excluding junction points.

- Supplied with one RJ45 plate, a blank plate and a panel mounted dual earth twin switched socket

- Additional sockets or variation of plates can be supplied on request.

- Carpet trim & lid assembly manufactured in a tough plastic moulding containing two individual hinged cable outlets in dark grey.

The lid is reinforced by a 3mm steel plate and the carpet recess is 6mm.



Three Compartment Service Box **D6/C/16-SB/ITS**

## Under Floor Trunking and Accessories

Our underfloor trunking is designed for placing on the constructional concrete slab, to be completely covered when the final floor screed is laid and the service outlet positions fixed.

- Steel underfloor trunking is manufactured in 2 metre lengths. Two or three compartment are most commonly used. Single or other numbers of compartments can also be supplied.

- The trunking lengths are a total welded construction with no need to couple together loose channel sections.

- Each length is joined together by a saddle clamp and plate, which prevent any ingress of screed into the duct.

### 2 Compartment



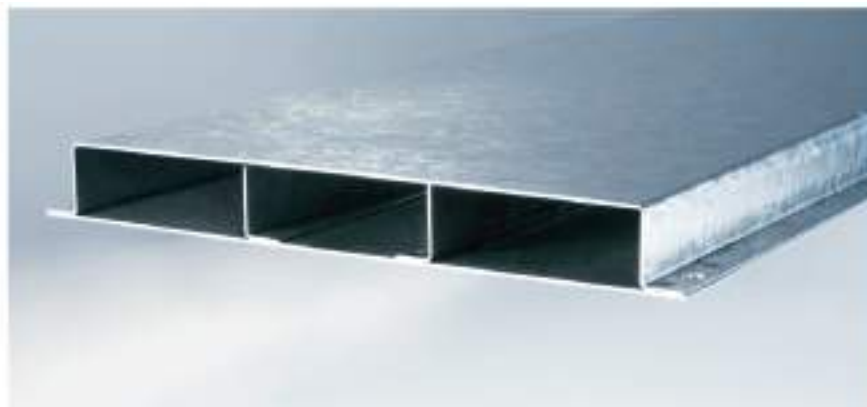
150mm x 25mm

E2/61

150mm x 50mm

E2/62

### 3 Compartment



225mm x 25mm

E3/91

225mm x 50mm

E3/92

## Under Floor Trunking and Accessories

- Junction boxes part numbers UF/JB (75mm deep as standard, other depths available)
- Junction boxes are supplied with flange couplers and blank plates to enable use as angles, tees or 4 way
- Each box is complete with fly-over for cable segregation
- Carpet recess is 6mm



Riser Bend

ISB



Flat Bend

HL



Riser Bend (back entry) ISB/BE



End Cap

EC



Connector Plate

Conn



Earth Link

ES99

\*Please note: Junction boxes cannot be used to house sockets or data outlets

## Under Floor Trunking and Accessories

Supplied in through or end of run format only

- 2 compartment service box supplied with one RJ45 plate and a panel mounted dual earth twin switched socket.

- 75mm deep as standard, other depths available on request.



- 3 compartment service box supplied with one RJ45 plate, a blank plate and a panel mounted dual earth twin switching socket.

- 75mm deep as standard, other depths available on request.



Additional sockets or a variation of plates can be supplied on request.

Carpet trim and lid assembly manufactured in a tough plastic moulding which has two individual hinged cable outlets in dark grey.

The lid is reinforced by a 3mm steel plate. Carpet recess is 6mm.

## Chequer Plate Trunking and Accessories

When a flush floor trunking is required in an area where excessive loads will be transported such as a warehouse or industrial environment, Unistrut manufacture a robust steel trunking body fitted with a 6mm thick chequer plate lid fixed into place by M6 countersunk screws.



We recommend that our flush floor trunking is installed on a ribbon screed or similar to ensure support along the entire length and width of the system.

It is advisable that all lid sections are fitted during screeding. This will prevent any slight inward movement to the sides of the trunking body.



Single or multi-compartment options are available with a range of accessories.

Accessories include:

- Riser Bend
- Stop End
- Flat Bend
- Tee
- Crossover

Please contact the team for more details.

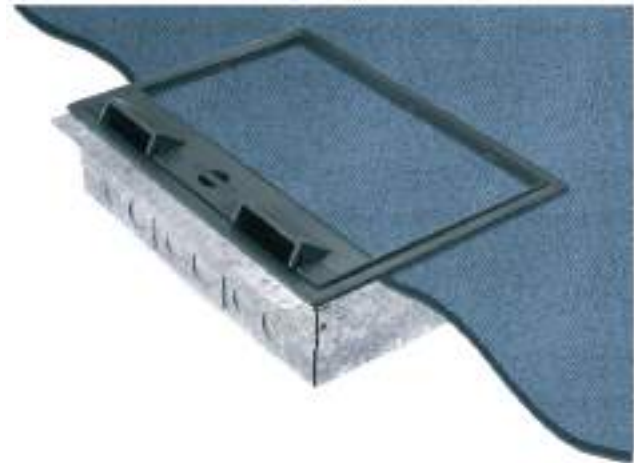
\*Service boxes are not available with chequer plate trunking



## Service Outlet Boxes

### Service Outlet Boxes

- For screed or raise floor applications
- Available in 2, 3 or 4 compartments
- Outer box with 20mm and 25 mm knockouts of two sides
- Standard box depth is 75mm, other sizes are available
- A wide range of outlet plates to carry voice, data and power sockets
- Available with a dark grey carpet trim fitted as standard or a stainless steel trim
- Deep lid recess boxes can be manufactured to accommodate stone, marble or timber infill



### 2 Compartment Box (Raised Floor)

- Supplied with one RJ45 plate and a panel mounted dual earth twin switched socket
- Floor cut-out size is 262mm x 210mm

\*Additional sockets or variations of plates can be supplied on request.

Carpet trim and lid assembly manufactured in a tough plastic moulding which has two individual hinged cable outlets in dark grey.

The lid is reinforced by a 3mm steel plate and the carpet recess is 6mm.



Two compartment service box

CAV2/ITS

## Service Outlet Boxes

### 3 Compartment Box (Raised Floor)

- Supplied with one RJ45 plate, a blank plate and a panel mounted dual earth twin switched socket.

- Floor cut-out size 304mm x 221mm



Three compartment service box **CAV3/1TS**

### 4 Compartment Box (Raised Floor)

- Supplied with one RJ45 plate, 2 blank plates and a panel mounted dual earth twin switched socket.

- Floor cut-out size is 204mm x 221mm

\*Please note: Only panel-mounted accessories will fit into 4 box compartment boxes



Four compartment service box **CAV4/1TS**

## Service Outlet Boxes

Flytec can produce boxes for various installations.  
This box is an example of a reinforced unit, which will take the weight of a rolling car  
- ideal for showroom use.



The image features a collection of various lighting trunking components, including straight sections, T-junctions, and corner pieces, all rendered in a semi-transparent green color against a solid green background. The components are arranged in a grid-like fashion, showcasing different sizes and configurations. In the top right corner, the company logo is displayed.

**FLY**⚡**TEC**  
SYSTEMS LIMITED

# LIGHTING TRUNKING



## LIGHTING TRUNKING CONTENTS

Contents	Page Number
Galvanised Lighting Trunking	Page 168
White Lighting Trunking	Page 170

## Lighting Trunking - Galvanised



Galvanised Lid **FLT/LID/G**



50mm x 50mm  
5 metre length  
4 metre length **FLT22  
FLT22/4**



Internal Bend **FLT ISB**



External Bend **FLT ESB**



Flat Bend **FLT ESB**



Internal Tee **FLT IST**



External Tee **FLT EST**



Flat Tee **FLT FST**

- Lighting trunking 50 mm x 50 mm is available in either 4 or 5 metre lengths
- The trunking may be fixed directly to the ceiling or suspended by hanging brackets
- Lids in 2 metre lengths can be supplied in galvanised or white PVC material
- Long connectors fixed internally between trunking lengths provide strengths & rigidity through the trunking run

## Lighting Trunking - Galvanised



Crossover

FLT CO



Connector

FLT CON



Hanger (10mm Hole)

FLT HC



45° Flat Bend

FLT FB



45° Internal Bend

FLT IB



45° External Bend

FLT EB



End Cap

FLT EC



Flange

FLT FE



Cable Retainer

FLT CS



Girder Clamp

FLT GC



Fitting Suspensions

FLT SK

## Lighting Trunking - White



PVC Lid

FLT/LID



Flat Bend

WFLT FSB



Internal Bend

WFLT ISB



External Bend

WFLT ESB



Flat Tee

WFLT FST



Flat Tee

WFLT FST



External Tee

WFLT EST



Crossover

WFLT CO



50mm x 50mm  
4 metre length

WFLT22/4

- Lighting trunking can also be supplied in white polyester powder coating, this greatly enhances the aesthetic value of an exposed lighting layout.

- White lighting trunking is supplied in 4 metre lengths

- Lids and connectors must be ordered separately with lighting trunking



## Lighting Trunking - White



Hanger **WFLT HC**



45° Flat Bend **WFLT FB**



45° Internal Bend **WFLT IB**



45° External Bend **WFLT EB**



End Cap **WFLT EC**



Flange **WFLT FE**



Girder Clamp **WFLT GC**



Fitting Suspensions **FLT SK**



Cable Retainer **FLT CS**



Connector **FLT CON**

FLY⚡TEC

SYSTEMS LIMITED

# PEDESTAL BOXES



## PEDESTAL BOXES CONTENTS

Contents	Page Number
Pedestal Boxes One & Two Gang	Page 174

## Pedestal Boxes

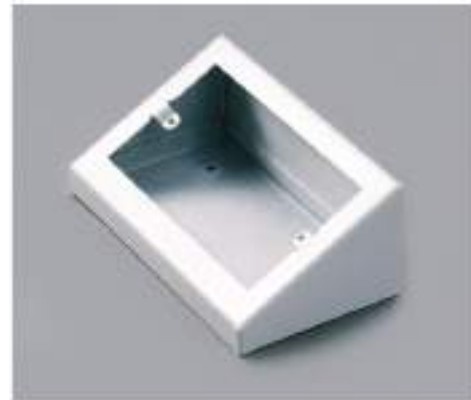
Flytec Pedestal boxes are available with one or two gang apertures, single or double sided designed for mounting onto floors or benches. Ideal for use within schools, laboratories and workshops!

Robustly constructed from sheet steel, finished polyester powder coated white as standard. Other colours are available on requests.



Single Gang

E10E10



Two Gang

E10E12



Double Sided One Gang

E10E16



Double Sided Two Gang

E10E14

# MARCO CABLE MANAGEMENT



The UK's Leading Manufacturer of  
Steel Wire Cable Tray & uPVC Systems

**Atkore**<sup>™</sup>  
**Marco**



[atkore.com/marco](http://atkore.com/marco)

# uPVC Perimeter Trunking Systems

Power & Data solutions from Marco



## UPVC TRUNKING CONTENTS

Contents	Page Number
Elite 3	Page 200
Elite Compact	Page 206
Elite 60	Page 212
Apollo 3 Comp	Page 218
Apollo 4 Comp	Page 225
Juno	Page 226
Maxi	Page 230
Mini	Page 232

## Elite 3

### 3 Compartment Trunking

175 x 60mm

Marco Elite 3 trunking system offers an innovative design solution for the growing data-cabling market. At 175 x 60mm, the symmetrical curved design allows for the installation of power and high-density structured cabling systems including CAT5E, CAT6, CAT6A and CAT7 solutions.

Elite 3



## Key Features



### 3 Compartment

Elite 3 has been designed to comply with the latest structured cabling solutions on the market. Top and bottom compartments complement a larger centre compartment which can facilitate socket mounting accessories.



### Hygiene Protection

Elite 3 is available with Marco's Hygiene anti-microbial protection. Defending against 99.9% of harmful bacteria.



### 175 x 60mm Profile

Elite 3's profile allows for ample data and power cabling to be supplied. The curved design prevents dust trapping and provides a more aesthetically pleasing finish.



### DDA & Part M

Elite 3 is also able to comply to both DDA and Part M specifications, using either our contrasting centre lids or coloured socket plates.



### CAT6, CAT6A & CAT7

Elite 3 meets the latest structured cabling solutions by offering a 50mm bend radius on all Elite accessories.



### BIM Download

Elite 3 BIM objects are available as part of the uPVC BIM download on our website.

Marco Elite systems meet and exceed the requirements for (BS6701), BS 4678 Pt 4, BS 7671, ISO/IEC 1901 (ED2.0 Amd 2) and Cenelec (BS EN 50173 Part 1 / 2, BS EN 50174-2) standards.

For more information on the range, or for further material specification, contact our team today.



## Elite 3

### 3 Compartment Trunking

#### Elite 3

Marco's flagship trunking system, Elite 3 is designed to suit all types of installation environments. Elite 3 is made from the highest quality uPVC compound, providing its signature pure white finish. At 175 x 60mm Elite 3 is able to accommodate CAT6 and CAT6A cables, making it a perfect fit for any modern installation.

Elite 3 is available in three colours, pure white, light grey and charcoal.

CODE	DESCRIPTION	LENGTH	PACK QTY
ME3	Elite 3 - Pure White	3m	2 x 3m
ME3LG	Elite 3 - Light Grey	3m	2 x 3m
ME3CH	Elite 3 - Charcoal	3m	2 x 3m

#### Elite 3 - DDA

Marco's Elite trunking is also able to accommodate DDA Part M requirements, via the use of a light grey or charcoal centre lid.



CODE	DESCRIPTION	LENGTH	PACK QTY
ME3LGL	Elite 3 - Pure White with Light Grey Lid	3m	2 x 3m
ME3CHL	Elite 3 - Pure White with Charcoal Lid	3m	2 x 3m

#### Elite 3 - Hygieia

Elite 3 is available with Marco Hygieia, offering anti-microbial protection against 99.9% of harmful bacteria. The anti-microbial compound forms an integral part of the trunking, meaning there is no loss of performance if the trunking becomes scratched or damaged. All of Elite's additional components are also available with anti-microbial protection.

Elite Hygieia is supplied with a protective blue film for extra protection during transit and installation.

CODE	DESCRIPTION	LENGTH	PACK QTY
ME3AM	Elite 3 - Pure White with Anti-Microbial	3m	2 x 3m
ME3AMLGL	Elite 3 - Light Grey Lid with Anti-Microbial	3m	2 x 3m
ME3AMCHL	Elite 3 - Charcoal Lid Anti-Microbial	3m	2 x 3m

Minimum order quantities apply to Charcoal Anti-Microbial, please contact us for more information.

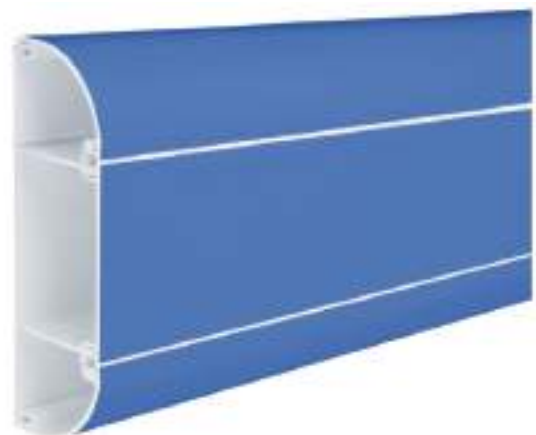


Illustration purposes only, protective blue film to be removed during installation.

Elite 3

## Elite 3 Accessories

### 3 Compartment Trunking

#### Flat Angle



Product Information	
Code	ME3F
Dimensions (mm)	254 x 254 x 62
Pack Qty	1

Available Colours

Two-piece moulded flat angle with built in data guides retaining CAT6, CAT6A and CAT7 compliance. Flat overlaps trunking lids, with no needs for joint covers.

#### Flat Tee



Product Information	
Code	ME3T
Dimensions (mm)	326 x 253 x 62
Pack Qty	1

Available Colours

Moulded flat tee with two sets of data guides to maintain 50mm bend radius for CAT6, CAT6A and CAT7 compliance. Tee overlaps trunking lids, with no need for joint covers.

#### Internal Angle



Product Information	
Code	ME3I
Dimensions (mm)	179.5 x 134 x 134*
Pack Qty	1

Available Colours

Moulded internal angle with an adjustable design allowing for a variance of +/- 5° accommodating walls without true 90° bend. Angles have 50mm bend radius to comply with CAT6, CAT6A & CAT7.

\*Indicates Height and Width before movement

#### External Angle



Product Information	
Code	ME3E
Dimensions (mm)	179.5 x 104.5 x 104.5*
Pack Qty	1

Available Colours

Moulded external angle with an adjustable design, allowing for a variance of +/- 5° accommodating walls without a true 90° bend. Angles have 50mm bend radius to comply with CAT6, CAT6A & CAT7.

\*Indicates Height and Width before movement

#### Internal Angle - Fixed 45°



Product Information	
Code	ME3I-135
Pack Qty	1

Available Colours

Pre-fabricated fixed internal angle for Elite 3, designed for use on walls with a 45° in-facing bend. Supplied as individual units and requires 2 joint covers.

Additional joint covers (ME3J x 2) required when fitting.

Available Colours:

Standard White

Light Grey. Add LG to product code

Charcoal. Add CH to product code

#### External Angle - Fixed 45°



Product Information	
Code	ME3E-135
Pack Qty	1

Available Colours

Pre-fabricated fixed external angle for Elite 3, designed for use on walls with a 45° out-facing bend. Supplied as individual units and requires 2 joint covers.

Additional joint covers (ME3J x 2) required when fitting.

## Elite 3 Accessories

### 3 Compartment Trunking

#### End Covers



Product Information	
Code	ME3C
Dimensions (mm)	176.5 x 62 x 12
Pack Qty	2

Available Colours

Curved end covers matching trunking profile, supplied in packs of two.

#### Joint Covers



Product Information	
Code	ME3J
Width (mm)	179.5 x 62 x 33
Pack Qty	5

Available Colours

Joint covers with easy clip-in mechanism for faster fitting. Supplied in packs of five.

#### External Angle Screening Divider



Product Information	
Code	ME3SDE
Pack Qty	1

Clip in screening divider for Elite 3 external angles. Meets BS EN 50174-2 for power and data separation.

#### Steel Strip Screening Divider



Product Information	
Code	ME3SD
Pack Qty	4 x 1.5m

Slide-in screening divider for Elite 3. Meets BS EN 50174-2 for power and data separation. Divider has same pre-punched knock-outs as internal walls. Supplied in 1.5m.

#### Take-Off Adapter



Product Information	
Code	ME3TOA
Dimensions (mm)	92 x 62 x 61
Pack Qty	1

Available Colours

Take off adaptor for Marco Mini trunking. Supports 16 x 16mm, 16 x 25mm, and 25 x 38mm sizes. Can also accept 20 & 25mm PVC conduit.

## Elite 3 Accessory Boxes

### 3 Compartment Trunking

#### 1-Gang Socket Boxes



Product Information	35mm 1-Gang Socket Box	35mm 1-Gang Socket Box, 4 Pillar	25mm 1-Gang Socket Box	25mm 1-Gang Socket Box, 4 Pillar	50mm 1-Gang Socket Box
Code	MTSB1	MTSB1-4	MTSB1-25	MTSB1-25-4	MTSB1-50
Depth (mm)	35	35	25	25	50
No. of Pillars	2	4	2	4	2
Pack Qty	10	10	10	10	10

#### 2-Gang Socket Boxes



Product Information	35mm 2-Gang Socket Box	25mm 2-Gang Socket Box	50mm 2-Gang Socket Box
Code	MTSB2	MTSB2-25	MTSB2-50
Depth (mm)	35	25	50
No. of Pillars	2	2	2
Pack Qty	10	10	10

#### 1 & 2-Gang Socket Frames



Product Information	1-gang socket mounting frame	2-gang socket mounting frame
Code	MTSB1-F	MTSB2-F
Depth (mm)	N/A	N/A
No. of Pillars	4	2
Pack Qty	10	10

# Elite 3 Universal Accessories

3 Compartment Trunking

## Accessory Spacer



Product Information	
Code	MTLS
Dimensions (mm)	87 x 60
Pack Qty	10

Available Colours

Single unit accessory spacer. Fits on to centre compartment using the same quick snap-on system as centre lid.

## RCD/MCB DIN Rail Housing Kit



Product Information	
Code	ME3RCDH
Pack Qty	1

Includes: Hinged Cover, Mounting Frame and Mounting Bracket. Locking mechanism also available, contact us for more info.

Elite 3

## Elite Compact

### 3 Compartment Trunking

145 x 50mm

Manufactured from the same high quality materials as Elite 3, Elite Compact offers all the same benefits and features of Elite 3, condensed into a smaller 145 x 50mm profile. Elite Compact is designed to carry large numbers of power and data cables, with a smaller profile which can be installed in locations where space is limited or when a smaller form-factor is desired. Elite Compact is able to support structured cabling systems including CAT5E, CAT6, CAT6A and CAT7 solutions.

Elite Compact



## Key Features



### 3 Compartment

Elite Compact is a 3 compartment system, designed to provide the maximum in carrying capacity, whilst retaining a smaller aesthetic.



### Hygieia Protection

Elite Compact is available with Marco Hygieia anti-microbial protection, keeping the spread of bacteria in all environments to a minimum.



### 145 x 50mm Profile

Despite it's small size, Elite Compact's design allows it to house a large number of cables in both it's top and bottom compartments, as well as having a full sized centre compartment to house accessories.



### DDA & Part M

Elite Compact is available with DDA and Part M specifications, including contrasting centre lid and a range of coloured accessory plates.



### CAT6 & CAT7 Compliance

Elite Compact meets the latest structured cabling solutions by offering required bend radius on all fittings and accessories.



### BIM Download

Elite Compact BIM objects are available as part of the UPVC BIM download on our website.

Marco Elite systems meet and exceed the requirements for (BS6701), BS-4675 Pt 4, BS-7671, ISO/IEC 11901 (ED2.0 A and Z) and Genelec (BS EN 50773 Part 1 / 2, BS EN 50774-2) standards.

For more information on the range, or for further material specification, contact our team today.

## Elite Compact

### 3 Compartment Trunking

The smallest in Marco's Elite range, Compact offers all the benefits of larger Elite products, packed into its 145 x 50mm profile. Manufactured from the same high quality uPVC compound, Elite Compact has the same signature pure white finish as Marco's other trunking.

Elite Compact's design makes it perfect for housing structured cabling and comes CAT6 & CAT6A compliant as standard. Elite Compact is available in three colours, pure white, light grey and charcoal.

CODE	DESCRIPTION	LENGTH	PACK QTY
MEC3	Elite Compact - Pure White	3M	2 x 3M
MEC3LG	Elite Compact - Light Grey	3M	2 x 3M
MEC3CH	Elite Compact - Charcoal	3M	2 x 3M



Elite Compact

### Elite Compact - DDA

Marco's Elite Compact trunking is also able to accommodate DDA requirements, via the use of a light grey or charcoal centre lid.



CODE	DESCRIPTION	LENGTH	PACK QTY
MEC3LGL	Elite Compact - Pure White with Light Grey Lid	3m	2 x 3m
MEC3CHL	Elite Compact - Pure White with Charcoal Lid	3m	2 x 3m



### Elite Compact - Hygieia

Elite Compact is available with Marco's Hygieia protection, defending against 99.9% of harmful bacteria. The anti-microbial compound forms an integral part of the trunking, meaning there is no loss of performance if the trunking becomes scratched or damaged.

All of Compact's additional components are also available with anti-microbial protection.

Marco's Hygieia trunking is supplied with a protective blue film for extra protection during transit and installation.



CODE	DESCRIPTION	LENGTH	PACK QTY
MEC3AM	Elite Compact - Pure White with Anti-Microbial	3m	2 x 3m
MEC3AMLGL	Elite Compact - Light Grey Lid with Anti-Microbial	3m	2 x 3m
MEC3AMCHL	Elite Compact - Charcoal Lid with Anti-Microbial	3m	2 x 3m

Illustration purposes only, protective blue film to be removed during installation.

Minimum order quantities apply to Charcoal Anti-Microbial, please contact us for more information.

## Elite Compact - Accessories

### 3 Compartment Trunking

Elite Compact

#### Flat Angle



##### Product Information

Code	MEC3F
Dimensions (mm)	224 x 224 x 52
Pack Qty	1

Available Colours

Two-piece moulded flat angle for Elite Compact with built in data guides retaining CAT6, CAT6A and CAT7 compliance. Flat overlaps trunking lids, with no needs for joint covers.

#### Flat Tee



##### Product Information

Code	MEC3T
Dimensions (mm)	293 x 222.5 x 52
Pack Qty	1

Available Colours

Moulded flat tee for Elite Compact with two sets of data guides to maintain 50mm bend radius for CAT6, CAT6A and CAT7 compliance. Tee overlaps trunking lids, with no need for joint covers.

#### Internal Angle



##### Product Information

Code	MEC3I
Dimensions (mm)	125 x 125 x 149.5*
Pack Qty	1

Available Colours

Moulded internal angle with an adjustable design allowing for a variance of +/- 5° accommodating walls without true 90° bend. Angles have 50mm bend radius to comply with CAT6 and CAT7.

\* Indicates Height and Width before movement

#### External Angle



##### Product Information

Code	MEC3E
Dimensions (mm)	92 x 92 x 150*
Pack Qty	1

Available Colours

Moulded external angle with an adjustable design, allowing for a variance of +/- 5° accommodating walls without a true 90° bend. Angles have 50mm bend radius to comply with CAT6 and CAT7.

\* Indicates Height and Width before movement

#### Internal Angle - Fixed 45°



##### Product Information

Code	MEC3I-135
Pack Qty	1

Available Colours

Pre-fabricated fixed internal angle for Elite Compact, designed for use on walls with a 45° in-facing bend. Supplied as individual units and requires 2 joint covers. Additional joint covers (MEC3J x 2) required when fitting.

#### External Angle - Fixed 45°



##### Product Information

Code	MEC3E-135
Pack Qty	1

Available Colours

Pre-fabricated fixed external angle for Elite Compact, designed for use on walls with a 45° out-facing bend. Supplied as individual units and requires 2 joint covers. Additional joint covers (MEC3J x 2) required when fitting.



# Elite Compact - Accessories

3 Compartment Trunking

## End Covers



Product Information	
Code	MEC3C
Dimensions (mm)	149.5 x 52 x 12
Pack Qty	2

Available Colours

Curved end covers matching trunking profile, supplied in packs of two.

## Joint Covers



Product Information	
Code	MEC3J
Width (mm)	149.5 x 52 x 33
Pack Qty	5

Available Colours

Joint covers with easy clip-in mechanism for faster fitting. Supplied in packs of five.

## External Angle Screening Divider



Product Information	
Code	MEC3SDE
Pack Qty	1

Clip in screening divider for Elite Compact external angles. Meets BS EN 50174-2 for power and data separation.

## Steel Strip Screening Divider



Product Information	
Code	MEC3SD
Pack Qty	4 x 1.5m

Slide-in screening divider for Elite compact. Meets BS EN 50174-2 for power and data separation. Divider has same pre-punched knock-outs as internal walls. Supplied in 1.5m.

## Take-Off Adapter



Product Information	
Code	MEC3TOA
Dimensions (mm)	92 x 52 x 46
Pack Qty	1

Available Colours

Take off adaptor for Marco Mini trunking. Supports 16 x 16mm, 16 x 25mm, and 25 x 38mm sizes. Can also accept 20 & 25mm PVC conduit.

## Elite Compact - Accessory Boxes

### 3 Compartment Trunking

#### 1-Gang Socket Boxes



Product Information	35mm 1-Gang Socket Box	35mm 1-Gang Socket Box, 4 Pillar	25mm 1-Gang Socket Box	25mm 1-Gang Socket Box, 4 Pillar
Code	MTSB1	MTSB1-4	MTSB1-25	MTSB1-25-4
Depth (mm)	35	35	25	25
No. of Pillars	2	4	2	4
Pack Qty	10	10	10	10

#### 2-Gang Socket Boxes



Product Information	35mm 2-Gang Socket Box	25mm 2-Gang Socket Box
Code	MTSB2	MTSB2-25
Depth (mm)	35	25
No. of Pillars	2	2
Pack Qty	10	10

#### 1 & 2-Gang Socket Frames



Product Information	1-gang socket mounting frame	2-gang socket mounting frame
Code	MTSB1-F	MTSB2-F
Depth (mm)	N/A	N/A
No. of Pillars	4	2
Pack Qty	10	10

# Elite Compact - Universal Accessories

3 Compartment Trunking

## Accessory Spacer



Product Information	
Code	MTLS
Dimensions (mm)	87 x 60
Pack Qty	10

Available Colours

Single unit accessory spacer. Fits on to centre compartment using the same quick snap-on system as centre lid.

## RCD/MCB DIN Rail Housing Kit



Product Information	
Code	MEC3RCDH
Pack Qty	1

Includes: Hinged Cover, Mounting Frame and Mounting Bracket. Locking mechanism also available, contact us for more info.

### Data Trunking

200 x 63mm

With its 200 x 63mm profile, Elite 60 is the largest trunking available in the Elite range. Able to accommodate a large amount of CAT5E and CAT6/CAT6A cables, Elite 60 has been designed from the ground up to serve as a perfect fit for installations which require a high capacity containment solution. Elite 60 can support structured cabling systems up to CAT7.

Elite 60



## Key Features



### 200 x 63mm Profile

The largest trunking in the Elite range, Elite 60 is able to carry more CAT6 cables than any other Marco trunking. Designed for installations where there is a heavy reliance on power and data cabling.



### 2 Compartment

2 Compartment as standard, Elite 60 can be sub-divided into a total of 4 compartments for complex wiring systems.



### CAT6, CAT6A & CAT7

All of the Elite range have been designed to accommodate CAT6 & CAT7, none more-so than Elite 60, which has two large capacity compartments as well as a removable top lid.

Marco Elite systems meet and exceed the requirements for (BS6701, BS 4578 Pt 4, BS 7671, IEC/IEC 11801 (ED2.0.A and Z) and Comelec - BS EN 50173 Part 1 / 2, BS EN 50174-2) standards.

For more information on the range, or for further material specifications, contact our team today.

### DDA & Part M

Elite 60 is able to become completely DDA compliant, through the use of Marco's contrasting centre lid or coloured socket plates.

### BIM Download

Elite 60 BIM objects are available as part of the uPVC BIM download on our website.

## Elite 60

### Data Trunking

#### Elite 60

Elite 60 is the largest capacity trunking in the Elite range, allowing for a greater number of cables to be installed.

Elite 60 comes with a unique top opening lid, allowing cables to be installed easily and speedily. Should additional cable segregation be required, further capacity can be achieved through the use of clip-in dividers, able to take the trunking up to 4 compartments if required.

CODE	DESCRIPTION	LENGTH	PACK QTY
MT60	Elite 60 - Pure White	3M	2 x 3M



Elite 60

#### Elite 60 - DDA

DDA compliance is attainable using Elite 60 in conjunction with Marco's contrasting centre lids or through the use of our coloured socket plates. Elite 60's high capacity and DDA compliance make it a perfect fit for schools or public buildings.



CODE	DESCRIPTION	LENGTH	PACK QTY
MT60LGL	Elite 60 - Pure White & Light Grey Lid	3m	2 x 3m
MT60CHL	Elite 60 - Pure White & Charcoal Lid	3m	2 x 3m



## Elite 60 - Accessories

### Data Trunking

Elite 60

#### Flat Angle - Up



##### Product Information

Code	MT60FU
Dimensions (mm)	235 x 235 x 63
Pack Qty	1

Available Colours

Pre-fabricated upward mitred flat angle provided with a minimum 50mm bend radius.

Additional joint covers (MT60J x 2) required when fitting.

#### Flat Tee - Up



##### Product Information

Code	MT60T
Dimensions (mm)	330 x 240 x 63
Pack Qty	1

Available Colours

Pre-fabricated upward flat tee junction. Each is supplied with a minimum 50mm bend radius.

Additional joint covers (MT60J x 3) required when fitting.

#### Flat Angle - Down



##### Product Information

Code	MT60FD
Dimensions (mm)	235 x 235 x 63
Pack Qty	1

Available Colours

Pre-fabricated downward mitred flat angle provided with a minimum 50mm bend radius.

Additional joint covers (MT60J x 2) required when fitting.

#### Flat Tee - Down



##### Product Information

Code	MT60TD
Dimensions (mm)	330 x 240 x 63
Pack Qty	1

Available Colours

Pre-fabricated downward flat tee junction. Each is supplied with a minimum 50mm bend radius.

Additional joint covers (MT60J x 3) required when fitting.

#### Internal Angle



##### Product Information

Code	MT60I
Height (mm)	136 x 136 x 204
Pack Qty	1

Moulded internal angle for Elite 60, designed for use on walls with a 90° in-facing bend. Supplied as individual units.

Available Colours: (Lid Only)

Standard White

Light Grey. Add LG to product code

Charcoal. Add CH to product code

#### External Angle



##### Product Information

Code	MT60E
Height (mm)	88 x 88 x 204
Pack Qty	1

Moulded external angle for Elite 60, designed for use on walls with a 90° out-facing bend. Supplied as individual units.

Alternative colours only available on Flat Angles and Flat Tee Lids.

# Elite 60 - Accessories

Data Trunking

## End Covers



Product Information	LEFT	RIGHT
Code	MT60CL	MT60CR
Height (mm)	204 x 67 x 12	
Pack Qty	2	

Moulded end covers, designed to match the profile of the trunking. Due to Elite 60's shape, end caps are supplied in left and right-handed variants.

## Joint Covers



Product Information	
Code	MT60J
Width (mm)	204 x 67 x 30
Pack Qty	5

Moulded joint covers with an easy clip in mechanism for faster installation. Supplied in packs of five.

## External Angle Screening Divider



Product Information	
Code	MT60SDE
Pack Qty	1

Elite clip-in screening divider for external angles. Meets BSEN50174-2 for power and data separation

## Steel Strip Screening Divider



Product Information	
Code	MT60SD
Pack Qty	4 x 1.5m

Slide-in screening divider for Elite 60. Supplied in 1.5m lengths.

Elite 60

## Elite 60 - Accessory Boxes

### Data Trunking

#### 1-Gang Socket Boxes



Product Information	35mm 1-Gang Socket Box	35mm 1-Gang Socket Box, 4 Pillar	25mm 1-Gang Socket Box	25mm 1-Gang Socket Box, 4 Pillar	50mm 1-Gang Socket Box
Code	MTSB1	MTSB1-4	MTSB1-25	MTSB1-25-4	MTSB1-50
Depth (mm)	35	35	25	25	50
No. of Pillars	2	4	2	4	2
Pack Qty	10	10	10	10	10

#### 2-Gang Socket Boxes



Product Information	35mm 2-Gang Socket Box	25mm 2-Gang Socket Box	50mm 2-Gang Socket Box
Code	MTSB2	MTSB2-25	MTSB2-50
Depth (mm)	35	25	50
No. of Pillars	2	2	2
Pack Qty	10	10	10

#### 1 & 2-Gang Socket Frames



Product Information	1-gang socket mounting frame	2-gang socket mounting frame
Code	MTSB1-F	MTSB2-F
Depth (mm)	N/A	N/A
No. of Pillars	4	2
Pack Qty	10	10



# Elite 60 - Universal Accessories

Data Trunking

## RCD/MCB DIN Rail Housing Kit



Product Information	
Code	MT60RCDH
Pack Qty	1

Includes: Hinged Cover, Mounting Frame and Mounting Bracket. Locking mechanism also available, contact us for more info.

## Accessory Spacer



Product Information	
Code	MTLS
Dimensions (mm)	87 x 60
Pack Qty	10

Available Colours

Single unit accessory spacer. Fits on to centre compartment using the same quick snap-on system as centre lid.

## uPVC Universal Divider Strip



Product Information	
Code	MTD105
Pack Qty	16 x 1.5m

Slide in uPVC divider for Marco trunking products. Supplied in 1.5m lengths.

Elite 60

### 3 Compartment Trunking

170 x 50mm

Marco's Apollo trunking is the most versatile and adaptable trunking system in our range. Apollo is designed to suit any application, coming in three profiles. It is able to match the aesthetic requirements of any project. Apollo is supplied as a CAT5E compliant system as standard, and can be altered to meet CAT6 through the use of clip-in data guides.

#### MTD3

Chamfered



#### MTDQ3

Square



#### MTS3

Skirting



## Key Features



#### Multi-Profile

Apollo's 3 profiles make it our most adaptable trunking system, accommodating any installation environment.



#### Hygiene Protection

Apollo 3 is available with Marco's Hygiene anti-microbial protection. Defending against 99.9% of harmful bacteria.



#### 170 x 50mm Profile

Apollo's large profile, and three compartments are ideal for carrying a large number of cables, and its centre compartment can house multiple accessories.



#### DDA & Part M

Apollo 3 is also able to comply with both DDA and Part M specifications, using either our contrasting centre lids or coloured socket plates.



#### BIM Download

Apollo is available in Marco's BIM object pack, available at our website.

Apollo trunking systems conform to the following standards: BS4675 Part 4, BS EN 50173 Part 1/2, BS EN 50174-2, BS 7971 (17th Edition IEE reg's), BS 6701, ISO IEC 11801 (ED2.0 Amd 2).

Please contact our sales team for more information on the range.

# Apollo

## 3 Compartment Trunking

### Apollo 3

Marco's Apollo trunking is available in three different profiles. Available in Dado, Skirting and Square profiles Apollo's interchangeable lids are designed to accommodate installation requirements whilst retaining an aesthetically pleasing design.

CODE	DESCRIPTION	LENGTH	PACK QTY
MTD3	Apollo 3 - Dado Profile - White	3m	2 x 3m
MTD3LG	Apollo 3 - Dado Profile - Light Grey	3m	2 x 3m
MTD3CH	Apollo 3 - Dado Profile - Charcoal	3m	2 x 3m
MTDQ3	Apollo 3 - Square Profile - White	3m	2 x 3m
MTDQ3LG	Apollo 3 - Square Profile - Light Grey	3m	2 x 3m
MTDQ3CH	Apollo 3 - Square Profile - Charcoal	3m	2 x 3m
MTS3	Apollo 3 - Skirting Profile - White	3m	2 x 3m
MTS3LG	Apollo 3 - Skirting Profile - Light Grey	3m	2 x 3m
MTS3CH	Apollo 3 - Skirting Profile - Charcoal	3m	2 x 3m



Apollo

### Apollo 3 - DDA

Marco's Apollo trunking is also able to adhere to DDA compliance through the use of Marco's contrasting centre lids and coloured socket outlets, allowing for easy differentiation between the trunking and socket outlets.

CODE	DESCRIPTION	LENGTH	PACK QTY
MTD3LGL	Apollo 3 - Dado Profile - White with Light Grey Lid	3m	2 x 3m
MTD3CHL	Apollo 3 - Dado Profile - White with Charcoal Lid	3m	2 x 3m
MTD-Q3LGL	Apollo 3 - Square Profile - White with Light Grey Lid	3m	2 x 3m
MTD-Q3CHL	Apollo 3 - Square Profile - White with Charcoal Lid	3m	2 x 3m
MTS3LGL	Apollo 3 - Skirting Profile - White with Light Grey Lid	3m	2 x 3m
MTS3CHL	Apollo 3 - Skirting Profile - White with Charcoal Lid	3m	2 x 3m



### Apollo 3 - Hygieia

Apollo 3 is available with Marco's Hygieia finish, offering anti-microbial protection against 99.9% of harmful bacteria. The anti-microbial compound forms an integral part of the trunking, meaning there is no loss of performance if the trunking becomes scratched or damaged. All of Apollo's additional components are also available with anti-microbial.

Marco Hygieia trunking is supplied with a protective blue plastic film for extra protection during transit and installation.

CODE	DESCRIPTION	LENGTH	PACK QTY
MTD3AM	Apollo 3 - Dado Profile - Anti-Microbial Finish	3m	2 x 3m
MTDQ3AM	Apollo 3 - Square Profile - Anti-Microbial Finish	3m	2 x 3m
MTS3AM	Apollo 3 - Skirting Profile - Anti-Microbial Finish	3m	2 x 3m



Illustration purposes only; protective blue film to be removed during installation.

Light Grey and Charcoal Lid options available. Minimum quantities apply, contact our team for more information.

## Apollo Accessories - Chamfer

### Chamfered Top & Bottom Lids

#### Flat Angle - Chamfer



##### Product Information

Code	MTDF3
Dimensions (mm)	235 x 235 x 40
Pack Qty	1

Available Colours:

Chamfered profile pre-fabricated mitred flat angle with chamfered top and bottom lids. Flat angle can be installed in either direction and is supplied as a single unit. Data guides can be added to meet CAT6. Additional joint covers (MTDJ3 x 2) required when fitting.

#### Flat Tee - Chamfer



##### Product Information

Code	MTDT3
Dimensions (mm)	300 x 240 x 50
Pack Qty	1

Available Colours:

Chamfered profile pre-fabricated mitred flat tee with chamfered top and bottom lids. Tee can be installed in either direction and top and bottom lids complement the profile of the trunking. Data guides can be added to meet CAT6.

Additional joint covers (MTDJ3 x 3) required when fitting.

#### Internal Angle - Chamfer



##### Product Information

Code	MTDI3
Dimensions (mm)	175 x 77 x 77
Pack Qty	1

Available Colours:

Moulded single unit chamfered profile internal angle. Clips over trunking.

Varying degree angles also available, contact team for more information.

#### External Angle - Chamfer



##### Product Information

Code	MTDE3
Dimensions (mm)	175 x 74 x 74
Pack Qty	1

Available Colours:

Moulded single unit chamfered profile external angle. Clips over trunking.

Varying degree angles also available, contact team for more information.

#### End Cover - Chamfer



##### Product Information

Code	MTDC3
Dimensions (mm)	175 x 51.5 x 12
Pack Qty	2

Available Colours:

Moulded end caps, supplied in pairs matching trunking profile.

#### Joint Cover - Chamfer



##### Product Information

Code	MTDJ3
Width (mm)	175 x 51.5 x 33
Pack Qty	5

Available Colours:

Moulded joint covers with an easy clip-in mechanism for faster installation. Supplied in packs of five.

##### Available Colours:

Standard White

Light Grey. Add LG to product code

Light Grey Lid. Add LGL to product code

Charcoal. Add CH to product code

Charcoal Lid. Add CHL to product code

# Apollo Accessories - Square

## Square Top & Bottom Lids

### Flat Angle - Square



Product Information	
Code	MTDQF3
Dimensions (mm)	235 x 235 x 50
Pack Qty	1

Available Colours

Pre-fabricated mitred joint flat angles with square top and bottom lids. Flat angle can be installed in either direction and is supplied as a single unit. Data guides can be added to meet CAT6.

Additional joint covers (MTDQJ3 x 2) required when fitting.

### Flat Tee - Square



Product Information	
Code	MTDQT3
Dimensions (mm)	300 x 240 x 50
Pack Qty	1

Available Colours

Pre-fabricated mitred joint flat tee with square top and bottom lids. Tee can be installed in either direction and top and bottom lids complement the flush finish of the trunking. Data guides can be added to meet CAT6.

Additional joint covers (MTDQJ3 x 3) required when fitting.

### Internal Angle - Square



Product Information	
Code	MTDGI3
Dimensions (mm)	175 x 77 x 77
Pack Qty	1

Available Colours

Moulded single unit internal angle cover. Clips over and sits above trunking.

Varying degree angles also available, contact team for more information.

### External Angle - Square



Product Information	
Code	MTDQE3
Dimensions (mm)	175 x 77 x 77
Pack Qty	1

Available Colours

Moulded single unit external angle. Clips over and sits above trunking. Supplied as single units.

Varying degree angles also available, contact team for more information.

### End Cover - Square



Product Information	
Code	MTDQC3
Dimensions (mm)	175 x 51.5 x 12
Pack Qty	2

Available Colours

Moulded end caps, supplied in pairs matching trunking profile.

### Joint Cover - Square



Product Information	
Code	MTDQJ3
Width (mm)	175 x 77 x 77
Pack Qty	5

Available Colours

Moulded joint covers with an easy clip in mechanism for faster installation. Supplied in packs of five.

## Apollo Accessories - Skirting

### Skirting Top & Bottom Lids

#### Flat Angle - Skirting



Product Information	UP	DOWN
Code	MTSF3U	MTSF3D
Dimensions (mm)	235 x 235 x 50	
Pack Qty	1	

Available Colours

Skirting profile pre-fabricated mitred flat angles with chamfered top and square bottom lids.

Up has chamfered lid on inside bend, Down has chamfered lid on outside bend. Data guides can be added to meet CAT6.

Additional joint covers (MTSJ3 x 2) required when fitting.

#### Flat Tee - Skirting



Product Information	
Code	MTST3
Dimensions (mm)	300 x 240 x 50
Pack Qty	1

Available Colours

Skirting profile pre-fabricated mitred joint flat tee with chamfered top and square bottom lids. Tee can be installed in either direction and top and bottom lids complement the finish of the trunking. Data guides can be added to meet CAT6. Down option available on request.

Additional joint covers (MTSJ3 x 3) required when fitting.

#### Internal Angle - Skirting



Product Information	
Code	MTS33
Dimensions (mm)	175 x 77 x 77
Pack Qty	1

Available Colours

Moulded single unit skirting profile internal angle cover. Clips in and sits above trunking.

Varying degree angles also available, contact team for more information.

#### External Angle - Skirting



Product Information	
Code	MTSE3
Dimensions (mm)	175 x 74 x 74
Pack Qty	1

Available Colours

Moulded single unit skirting profile external angle cover. Clips in over trunking. Supplied as single units.

Varying degree angles also available, contact team for more information.

#### End Cover - Skirting



Product Information	LEFT	RIGHT
Code	MTSCL3	MTSCR3
Dimensions (mm)	175 x 51.5 x 12	
Pack Qty	2	2

Available Colours

Moulded end caps, supplied in pairs matching trunking profile.

#### Joint Cover - Skirting



Product Information	
Code	MTSJ3
Width (mm)	175 x 51.5 x 33
Pack Qty	5

Available Colours

Moulded joint covers with an easy clip-in mechanism for faster installation. Supplied in packs of five.

Available Colours:

Standard White

Light Grey. Add LG to product code  
 Light Grey Lid. Add LGL to product code

Charcoal. Add CH to product code  
 Charcoal Lid. Add CHL to product code

# Apollo Universal Accessories

## 3 Compartment Trunking

### Cable Retainer



Product Information	
Code	MTCR
Pack Qty	20

Clip-in cable retainer. Designed to offer additional stability when holding cables in place through the trunking.

### Accessory Spacer



Product Information	
Code	MTLS
Dimensions (mm)	87 x 60
Pack Qty	10

Available Colours

Single unit accessory spacer. Fits on to centre compartment using the same quick snap-on system as centre lid.

### RCD/MCB DIN Rail Housing Kit



Product Information	
Code	MTRCDH
Pack Qty	1

Includes: hinged cover, mounting frame and mounting bracket. Marco locking mechanism available.

### Data Guides



Product Information	
Code	Add Suffix DG to angle codes
Pack Qty	1

Data guides, designed to enable CAT6 compliance throughout Apollo trunking accessories by maintaining necessary bend radius.

### Steel Strip Screening Divider



Product Information	
Code	MTAS
Pack Qty	4 x 1.5M

Slide-in screening divider for Apollo. Meets BSEN50174-2 for power and data separation. Supplied in 1.5m lengths.

### uPVC Universal Divider Strip



Product Information	
Code	MTD105
Pack Qty	16 x 1.5m

Slide in uPVC divider for Marco trunking products. Supplied in 1.5m lengths.

Security fittings are available for many of our uPVC accessories, contact our sales team for more information



## Apollo Accessory Boxes

### 3 Compartment Trunking

#### 1 - Gang Socket Boxes



Product Information	35mm 1-Gang Socket Box	35mm 1-Gang Socket Box, 4 Pillar	25mm 1-Gang Socket Box	25mm 1-Gang Socket Box, 4 Pillar
Code	MTSB1	MTSB1-4	MTSB1-25	MTSB1-25-4
Depth (mm)	35	35	25	25
No. of Pillars	2	4	2	4
Pack Qty	10	10	10	10

#### 2 - Gang Socket Boxes



Product Information	35mm 2-Gang Socket Box	25mm 2-Gang Socket Box
Code	MTSB2	MTSB2-25
Depth (mm)	35	25
No. of Pillars	2	2
Pack Qty	10	10

#### 1 & 2 - Gang Socket Frames



Product Information	1-gang socket mounting frame	2-gang socket mounting frame
Code	MTSB1-F	MTSB2-F
Depth (mm)	N/A	N/A
No. of Pillars	4	2
Pack Qty	10	10



# Apollo 4 Compartment

257 x 50mm

4 Compartment Trunking

## Apollo 4

Marco's Apollo Trunking can also be modified to become a four compartment trunking, with a profile of 257 x 50mm, through the addition of the MT4KI extension kit.

Lengths are supplied as the standard MTD3 system, with the additional extension kit included, Apollo 4 compartment benefits from having two large centre compartments, both able to accommodate socket boxes and accessories.

### MTD4

Chamfered



### MTDQ4

Square



### MTS4

Skirting



CODE	DESCRIPTION	LENGTH	PACK QTY
MTD4	Apollo 4 - Dado Profile - Pure White	3m	2 x 3m
MTD4LG	Apollo 4 - Dado Profile - Light Grey	3m	2 x 3m
MTD4CH	Apollo 4 - Dado Profile - Charcoal	3m	2 x 3m
MTDQ4	Apollo 4 - Square Profile - Pure White	3m	2 x 3m
MTDQ4LG	Apollo 4 - Square Profile - Light Grey	3m	2 x 3m
MTDQ4CH	Apollo 4 - Square Profile - Charcoal	3m	2 x 3m
MTS4	Apollo 4 - Skirting Profile - Pure White	3m	2 x 3m
MTS4LG	Apollo 4 - Skirting Profile - Light Grey	3m	2 x 3m
MTS4CH	Apollo 4 - Skirting Profile - Charcoal	3m	2 x 3m

## Apollo 4 - DDA

Marco's Apollo trunking is also able to adhere to DDA specification through the use of Marco's contrasting centre lids and coloured socket plates, allowing for easy differentiation between the trunking and its outlets.



CODE	DESCRIPTION	LENGTH	PACK QTY
MTD4LGL	Apollo 4 - Dado Profile - White with Light Grey Lid	3m	2 x 3m
MTD4CHL	Apollo 4 - Dado Profile - White with Charcoal Lid	3m	2 x 3m
MTD-Q4LGL	Apollo 4 - Square Profile - White with Light Grey Lid	3m	2 x 3m
MTD-Q4CHL	Apollo 4 - Square Profile - White with Charcoal Lid	3m	2 x 3m
MTS4LGL	Apollo 4 - Skirting Profile - White with Light Grey Lid	3m	2 x 3m
MTS4CHL	Apollo 4 - Skirting Profile - White with Charcoal Lid	3m	2 x 3m

## Accessories

CODE	DESCRIPTION	PACK QTY
MTDF4**	Flat Angle - Dado	1
MTDQF4**	Flat Angle - Square	1
MTSF4U**	Flat Angle - Skirting - Up	1
MTSF4D**	Flat Angle - Skirting - Down	1
MTDT4**	Flat Tee - Dado	1
MTDQT4**	Flat Tee - Square	1
MTST4**	Flat Tee - Skirting	1
MTDC4*	End Cover - Dado	2
MTDQC4*	End Cover - Square	2
MTSCR4*	End Cover - Skirting - Right	2

\* Supplied as a 2-part fitting

CODE	DESCRIPTION	PACK QTY
MTSCL4*	End Cover - Skirting - Left	2
MTDI4*	Internal Angle - Dado	1
MTDQI4*	Internal Angle - Square	1
MTSI4*	Internal Angle - Skirting	1
MTDE4*	External Angle - Dado	1
MTDQE4*	External Angle - Square	1
MTSE4*	External Angle - Skirting	1
MTDJ4*	Joint Cover - Dado	5
MTDQJ4*	Joint Cover - Square	5
MTSJ4*	Joint Cover - Skirting	5

\*\* Joint covers required when fitting

### Single Compartment Trunking

Marco's Juno trunking is a single compartment uPVC dado system, which can be subdivided with a dividing strip for power, data and telecommunication cables. The position of the divider fixing points allow for two, three or four compartments to be made depending on installation needs.

Marco also offer Juno as individual pre-assembled units, ideal for student accommodation, and other installations with repeating specifications.

Juno



## Key Features



### 1, 2, 3 or 4 Compartment

Marco's Juno trunking is unique in its ability to be divided into a multiple compartment solution whilst keeping its compact profile.



### DDA & Part M

DDA compliance is attainable through the use of Marco's contrasting centre lids or socket plates. Juno is available with light grey or charcoal variations to its standard pure white centre lid.



### 100 x 50mm Profile

Juno's smaller profile makes it perfect for installations with small distribution requirements, especially where space is limited.



### BIM Download

Juno forms part of the Marco BIM downloads, an integral part of the Marco uPVC range, the entire Juno product family is available.



### Hygiene Protection

Juno is available with Marco's Hygiene protection. The anti-microbial element forms an integral part of the trunking meaning there is no loss of performance if the trunking is damaged.

Marco offer pre-assembled Juno units, ideal for student accommodation, as well as other repetitive installations. Please contact our sales team for more information on the range.

## Juno

### Single Compartment Trunking

#### Juno

Marco's Juno is a single compartment trunking with the ability to be sub-divided up to three times, enabling it to form up to four compartments.

Juno is ideal for smaller installations where cable segregation is key. Its compact design makes it perfect for domestic and commercial use, and has seen use in projects with repeating units such as student accommodation and offices.

Full Charcoal and Light grey lengths are manufactured to order and minimum quantities apply.

CODE	DESCRIPTION	LENGTH	PACK QTY
MT105	Juno - Pure White	3m	2 x 3m
MT105CH	Juno - Charcoal	3m	2 x 3m



Juno

#### Juno - DDA

Juno is also able to accommodate DDA compliance through the use of Marco's contrasting centre lid. Juno can also accept Marco's DDA socket plates giving the required level of contrast around socket outlets.



CODE	DESCRIPTION	LENGTH	PACK QTY
MT105LGL	Juno - Pure White with Light Grey Lid	3m	2 x 3m
MT105CHL	Juno - Pure White with Charcoal Lid	3m	2 x 3m



#### Juno - Hygieia

Juno is also available with Marco's Hygieia protection. Anti-Microbial compound is added during the manufacturing process, forming an integral part of the trunking resulting in a consistent performance even if the trunking is scuffed or damaged.

Centre lid is supplied in a protective blue film for extra protection during installation.

Juno - Hygieia is manufactured to order and minimum quantities apply.

CODE	DESCRIPTION	LENGTH	PACK QTY
MT105AM	Juno - Pure White with Anti-Microbial	3m	2 x 3m
MT105AMLGL	Juno - Light Grey with Anti-Microbial	3m	2 x 3m
MT105AMCHL	Juno - Charcoal with Anti-Microbial	3m	2 x 3m

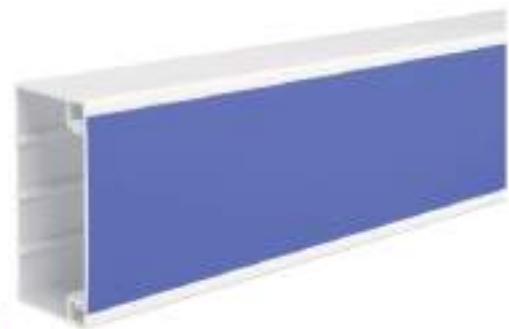


Illustration purposes only, protective blue film to be removed during installation.

Minimum order quantities apply to Charcoal Anti-Microbial please contact us for more information.

## Juno - Accessories

### Single Compartment Trunking

#### Flat Angle



##### Product Information

Code	MTF105
Pack Qty	1

Available Colours:

Moulded 90 degree flat angle bend for Juno trunking. Supplied as single units.

#### Flat Tee



##### Product Information

Code	MTT105
Pack Qty	1

Available Colours:

Moulded flat tee for Juno trunking. Can be used to connect three lengths in any direction. Supplied as single units.

#### Internal Angle



##### Product Information

Code	MTI105
Pack Qty	1

Available Colours:

Moulded single unit internal angle for Juno trunking. Connects two lengths creating a 90 degree bend. Supplied as single units.

#### External Angle



##### Product Information

Code	MTE105
Pack Qty	1

Available Colours:

Moulded single unit external angle cover. Clips in and sits above trunking. Supplied as single units.

#### End Cover



##### Product Information

Code	MTC105
Pack Qty	2

Available Colours:

Moulded end caps, supplied in pairs matching trunking profile.

#### Joint Cover



##### Product Information

Code	MTJ105
Pack Qty	5

Available Colours:

Moulded joint covers with an easy clip in mechanism for faster installation. Supplied in packs of five.

Available Colours:

- Standard White       Charcoal. Add CH to product code

# Juno - Accessories & Accessory Boxes

Single Compartment Trunking

## uPVC Universal Divider Strip



### Product Information

Code	MTD105
Pack Qty	16 x 1.5m

Available Colours:

Slide in uPVC divider for Marco trunking products. Supplied in 1.5m lengths.

## Accessory Spacer



### Product Information

Code	MTLS
Dimensions (mm)	87 x 60
Pack Qty	10

Available Colours:

Single unit accessory spacer. Fits on to centre compartment using the same quick snap-on system as centre lid.

## 1 - Gang Socket Boxes



Product Information	35mm 1-Gang Socket Box	35mm 1-Gang Socket Box, 4 Pillar	25mm 1-Gang Socket Box	25mm 1-Gang Socket Box, 4 Pillar
Code	MTSB1	MTSB1-4	MTSB1-25	MTSB1-25-4
Depth (mm)	35	35	25	25
No. of Pillars	2	4	2	4
Pack Qty	10	10	10	10

## 2 - Gang Socket Boxes



Product Information	35mm 2-Gang Socket Box	25mm 2-Gang Socket Box
Code	MTSB2	MTSB2-25
Depth (mm)	35	25
No. of Pillars	2	2
Pack Qty	10	10

MTSB1-F & MTSB2-F Socket mounting frames also available, contact our team for more information.

## Maxi Trunking

50x50, 75x75 & 100x100

### 50, 75 & 100mm Single Compartment Trunking

Marco's new Maxi trunking range is the perfect solution for a number of cable management project installations, including domestic and commercial installs. Marco's Maxi trunking is supplied in three standard sizes, 50mm, 75mm & 100mm, and are all available with a range of accessories and fittings.

Supplied with a unique **secure-lock lid**, Marco's Maxi trunking is able to offer a tamper proof solution, keeping cables protected in all environments. Maxi Trunking is supplied in 3 metre lengths as standard.

Maxi



## Key Features



### 3 Sizes Available

Marco's Maxi trunking is available in three profiles, with sizes available to suit any project installation.



### Full Range of Fittings

Marco's Maxi trunking is available with a full range of supporting accessories and fittings, including moulded and fabricated accessories.



### Secure-Lock Lid

Maxi's secure-lock lid provides a robust solution which ensures that both the trunking exterior aesthetics are preserved, and interior cables are protected from tapering.

### Maxi Trunking

Marco's Maxi Trunking is available in three sizes, able to suit any installation.

Maxi trunking is supplied in 3 metre lengths, in a pure white finish.



Product Information			
Code	MMT50	MMT75	MMT100
Height (mm)	50	75	100
Width (mm)	50	75	100
Pack Qty	12 x 3m	12 x 3m	12 x 3m

Maxi trunking systems conform to the following standards: BS4678 Part 4, BS7671 (17th Edition IEE regs), BS6701, ANSI/TIA/EIA 568B, ISO IEC 11801 (ED 2.0)

Please contact our sales team for more information on the range.

# Maxi Trunking Accessories

50, 75 & 100mm Single Compartment Trunking

## Flat Angle



Product Information		
Size (mm)	PACK QTY	CODE
50 x 50	2	MMTF50
75 x 75	1	MMTF75
100 x 100	1	MMTF100

Flat angles for maxi trunking. Available in all sizes of Maxi trunking. Product shown is the MMT50 variant, 75 & 100 versions are fabricated.

## Flat Tee



Product Information		
Size (mm)	PACK QTY	CODE
50 x 50	2	MMTT50
75 x 75	1	MMTT75
100 x 100	1	MMTT100

Flat tee for maxi trunking. Available in all sizes of Maxi trunking. Product shown is the MMT50 variant, 75 & 100 versions are fabricated.

## Internal Angle



Product Information		
Size (mm)	PACK QTY	CODE
50 x 50	2	MMTI50
75 x 75	1	MMTI75
100 x 100	1	MMTI100

Internal angles for maxi trunking. Available in all sizes of Maxi trunking. Product shown is the MMT50 variant, 75 & 100 versions are fabricated.

## External Angle



Product Information		
Size (mm)	PACK QTY	CODE
50 x 50	2	MMTE50
75 x 75	1	MMTE75
100 x 100	1	MMTE100

External angles for maxi trunking. Available in all sizes of Maxi trunking. Product shown is the MMT50 variant, 75 & 100 versions are fabricated.

## End Cover



Product Information		
Size (mm)	PACK QTY	CODE
50 x 50	8	MMTC50
75 x 75	4	MMTC75
100 x 100	4	MMTC100

Moulded single unit end caps for Maxi trunking. Available in all three sizes. Product shown is the MMT50 variant.

## Internal Joint Cover



Product Information		
Size (mm)	PACK QTY	CODE
50 x 50	2	MMTJ50
75 x 75	2	MMTJ75
100 x 100	2	MMTJ100

Moulded single unit joint cover for Maxi trunking. Available in all sizes. Product shown is the MMT50 variant.

## Socket Mounting Frame - 100 x 100mm only



Product Information		
Description	PACK QTY	CODE
1-Gang Frame	10	MMBF1
2-Gang Frame	10	MMBF2

Socket Mounting Frames for Maxi Trunking. 1 & 2 Gang options available. Frames only suitable for 100 x 100mm Trunking.

## Socket Mounting Boxes - 100 x 100mm only



Product Information		
Description	PACK QTY	CODE
1-Gang Box	10	MMBX1
2-Gang Box	10	MMBX2

Socket Mounting Boxes for Maxi Trunking. 1 & 2 Gang options available. Boxes only suitable for 100 x 100mm Trunking.

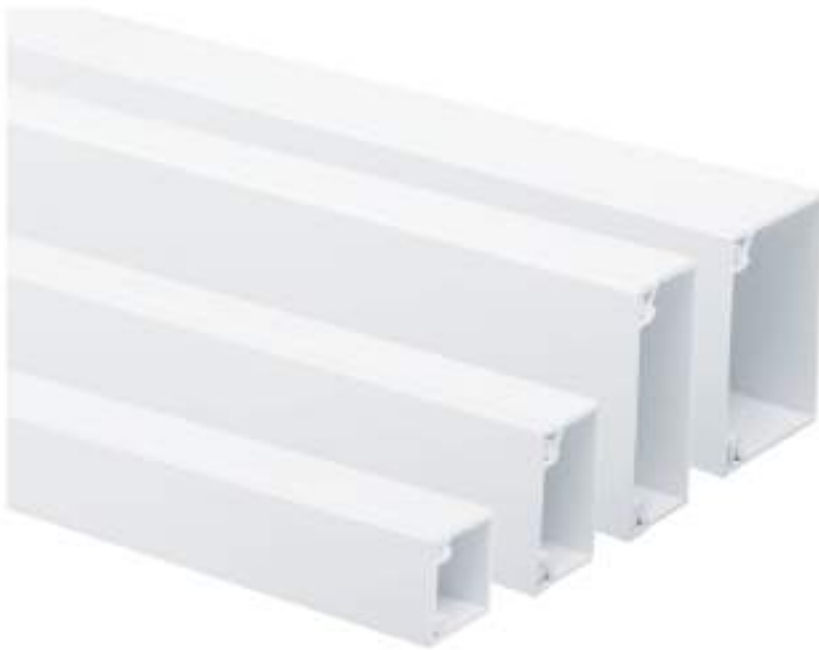
## Mini Trunking

### Standard and Self-Adhesive Trunking System

Marco uPVC mini trunking allows for both power and data cabling to be installed within commercial or domestic buildings, making the products ideal for new build and refurbishments.

As with its sister products, Marco's Mini trunking has been designed with a clean, pure white, modern aesthetic that incorporates a high impact resistant uPVC compound, giving the product a durable yet versatile finish.

Mini trunking is available with a **self-adhesive** back, for even faster and easier installation.



Mini

## Key Features



### 4 Sizes Available

Marco's mini trunking is available in four sizes, making it suitable for a number of installation requirements.



### Full Range of Fittings

Each size of Marco's Mini trunking comes with a full range of fittings and accessories.



### Self Adhesive

Mini trunking is available with a self adhesive base, allowing for quick installation without compromising performance.



### BIM Download

Mini forms part of the Marco BIM downloads, an integral part of the Marco uPVC range, the entire Mini product family is available.



### Secure-Lock Lid

Mini's snap on lid allows for quick installation of power and data cabling, with secure fit to ensure cabling is kept inside.

Mini trunking systems conform to the following standards: BS4678 Part 4, BS7671 (17th Edition IEE regs), BS6701, ANSI/TIA/EIA 568B, ISO IEC 11801 (ED 2.0)

Please contact our sales team for more information on the range.



# Mini Trunking

Standard and Self-Adhesive Trunking System

## Mini

Available in four sizes, Mini trunking is designed for electrical contractors and data installers allowing the lid to be removed and snapped on with ease, making the product ideal for moves, adds and changes (MAC) installations. The trunking is available with a full range of fittings and accessories.



Product Information				
Code	MM1	MM2	MM3	MM4
Width (mm)	16	25	38	38
Height (mm)	16	16	16	25
Pack Qty	90m	90m	45m	45m

## Mini - Self Adhesive

Marco's Mini trunking is also available with a self-adhesive backing for quick installation.



Product Information				
Code	MMS1	MMS2	MMS3	MMS4
Width (mm)	16	25	38	38
Height (mm)	16	16	16	25
Pack Qty	90m	90m	45m	45m

Mini

## Mini Trunking - Accessories

Standard and Self-Adhesive Trunking System

### Flat Angle



Product Information		
Size (mm)	PACK QTY	CODE
16 x 16	60	MM1F
25 x 16	30	MM2F
38 x 16	25	MM3F
38 x 25	20	MM4F

Moulded single unit flat angle for mini trunking. Available in all four sizes of mini trunking. Product shown is the MM3 variant.

### Flat Tee



Product Information		
Size (mm)	PACK QTY	CODE
16 x 16	20	MM1T
25 x 16	30	MM2T
38 x 16	25	MM3T
38 x 25	20	MM4T

Moulded single unit flat tee for mini trunking. Available in all four sizes of mini trunking. Product shown is the MM3 variant.

### Internal Angle



Product Information		
Size (mm)	PACK QTY	CODE
16 x 16	50	MM1I
25 x 16	30	MM2I
38 x 16	25	MM3I
38 x 25	25	MM4I

Moulded single unit internal angle for mini trunking. Available in all four sizes of mini trunking. Product shown is the MM3 variant.

### External Angle



Product Information		
Size (mm)	PACK QTY	CODE
16 x 16	50	MM1E
25 x 16	30	MM2E
38 x 16	25	MM3E
38 x 25	25	MM4E

Moulded single unit external angle for mini trunking. Available in all four sizes of mini trunking. Product shown is the MM3 variant.

### End Cover



Product Information		
Size (mm)	PACK QTY	CODE
16 x 16	100	MM1C
25 x 16	100	MM2C
38 x 16	50	MM3C
38 x 25	50	MM4C

Moulded single unit end caps for mini trunking. Available in all four sizes of mini trunking. Product shown is the MM3 variant.

### Joint Cover



Product Information		
Size (mm)	PACK QTY	CODE
16 x 16	40	MM1J
25 x 16	40	MM2J
38 x 16	25	MM3J
38 x 25	25	MM4J

Moulded single unit joint cover for mini trunking. Available in all four sizes of mini trunking. Product shown is the MM3 variant.

# Mini Trunking - Surface Boxes

Standard and Self-Adhesive Trunking System

## 32mm Square Edge 1 - Gang



Product Information	
Code	MSB32S1
Pack Qty	10

Includes 20mm conduit knock-out

## 32mm Square Edge 2 - Gang



Product Information	
Code	MSB32S2
Pack Qty	10

Includes 20mm conduit knock-out

## 32mm Round Edge 1 - Gang



Product Information	
Code	MSB32R1
Pack Qty	10

Includes 20mm conduit knock-out

## 32mm Round Edge 2 - Gang



Product Information	
Code	MSB32R2
Pack Qty	10

Includes 20mm conduit knock-out

## 44mm Round Edge 1 - Gang



Product Information	
Code	MSB44R1
Pack Qty	10

Includes 20mm conduit knock-out

## 44 mm Round Edge 2 - Gang



Product Information	
Code	MSB44R2
Pack Qty	10

Includes 20mm conduit knock-out

## 16 x 16 Surface Box Adapter



Product Information	
Code	MM1BA
Pack Qty	25

Includes 20mm conduit knock-out

## 25 x 16 Surface Box Adapter



Product Information	
Code	MM2BA
Pack Qty	25

Includes 20mm conduit knock-out

Mini

# Aluminium Bench Systems

Desktop Solutions from Marco



## BENCH TRUNKING CONTENTS

Contents	Page Number
About Aluminium Bench Trunking	Page 218
Standard Range	Page 219
Accessories	Page 220
Bench Trunking Units	Page 221

## Aluminium Bench Trunking

### Desktop Cable Management Systems

Marco Bench trunking is manufactured from satin anodised aluminium and is fitted with a white uPVC centre lid. Available in both anodised aluminium and white powder-coated finishes, Marco's Bench Trunking systems are the perfect solution for environments where a robust solution is required.

Marco's bench trunking is available as **Individual Lengths**, **Back-to-Back lengths** and as a variety of **Pre-Assembled Units**, ideal for island workstations or modular builds.

A full range of moulded and fabricated fittings is available, and both 35 and 25mm back boxes can be installed at any point along the system.

Optional 2-metre clip-in dividers (MTD1052) are available for segregation of power and data cabling.

#### MTBT

Bench Trunking



#### MTBT-BB

Back-to-Back Lengths



#### MTBU

Bench Units



## Key Features



#### DDA & Part M

Marco's bench trunking is also able to accommodate Marco's contrasting centre lids and socket plates, perfect for use in schools and labs.



#### Strong & Secure

The aluminium body used for Marco's bench trunking keeps the product sturdy and strong. Perfect for installations where heavy use is expected.



#### 100 x 100mm Profile

Designed for capacity, Marco's bench trunking has a large main compartment which can be split in to multiple compartments if required.



#### 2 Colours Available

Marco's MTBT Bench trunking system is available in Silver and White. Silver systems have a brushed aluminium finish, white systems have a powder coated finish.

Marco Bench systems meet and exceed the requirements for BS 4678, BS 7571, BS 6701, ISO/IEC 181 (ED2.0 Amd 2), and Series (BS EN 50173 Part 1/2, BS EN 50174-2) standards.

# Aluminium Bench Trunking

Desktop Cable Management Systems

## Bench Trunking

Available in both anodised aluminium and white powder coated finishes making it a suitable choice for a number of environments.

Bench trunking is suitable for desk, bench or worktop applications, and can also be installed on the underside of shelving if required.

Marco bench trunking can accept 25mm and 35mm socket boxes and has a range of complementing accessories to suit.

Bench Trunking is available with DDA compliant Light Grey or Charcoal Centre Lid.



CODE	DESCRIPTION	LENGTH	PACK QTY
MTBT	Bench Trunking - Aluminium Body, uPVC Lid	2m	1 x 2m
MTBTW	Bench Trunking - White Powder Coated Body, uPVC Lid	2m	1 x 2m

## Back To Back Bench Trunking

Marco bench trunking is available in back-to-back lengths, perfect for long runs of facing tables in environments such as classrooms or labs. The back-to-back design allows for socket boxes to be installed on either side of the trunking without compromising stability or functionality.

Bench Trunking is available with DDA compliant Light Grey or Charcoal Centre Lid.



CODE	DESCRIPTION	LENGTH	PACK QTY
MTBT-BB	Back to Back - Aluminium Body, uPVC Lid	2m	1 x 2m
MTBT-BBW	Back to Back - White Powder Coated Body, uPVC Lid	2m	1 x 2m

## Accessories

Marco bench trunking can accommodate the following accessory boxes and divider strip.



CODE	DESCRIPTION	PACK QTY
MTPSB1	Socket Mounting Box 35mm 1-gang	10
MTPSB1-25	Socket Mounting Box 25mm 1-gang	10
MTPSB2	Socket Mounting Box 35mm 2-gang	10
MTPSB2-25	Socket Mounting Box 25mm 2-gang	10
MTD1052	uPVC Divider	10 x 2m
MTBTRCDH	RCD/DIN Rail Housing Kit	1

## Bench Trunking Accessories

Desktop Cable Management Systems

### Internal Angle - Silver



Product Information	
Code	MTBTI
Dimensions (mm)	150 x 150 x 100
Pack Qty	1

Fabricated internal angle for bench trunking. Anodised aluminium body, white uPVC lid.  
Additional joint covers (MTBTJ) required when fitting.

### Internal Angle - White



Product Information	
Code	MTBTIW
Dimensions (mm)	150 x 150 x 100
Pack Qty	1

Fabricated internal angle for bench trunking. White powder coated aluminium body, white uPVC lid.  
Additional joint covers (MTBTJ) required when fitting.

### External Angle - Silver



Product Information	
Code	MTBTE
Dimensions (mm)	150 x 150 x 100
Pack Qty	1

Fabricated external angle for bench trunking. Anodised aluminium body, white uPVC lid.  
Additional joint covers (MTBTJ) required when fitting.

### External Angle - White



Product Information	
Code	MTBTEW
Dimensions (mm)	150 x 150 x 100
Pack Qty	1

Fabricated external angle for bench trunking. White powder coated aluminium body, white uPVC lid.  
Additional joint covers (MTBTJ) required when fitting.

### End Cover



Product Information	
Code	MTBC
Dimensions (mm)	102.5 x 102.5 x 11.5
Pack Qty	2

Moulded end caps, supplied in pairs matching trunking profile.  
uPVC End Covers are available in white, light grey and charcoal, contact the team for more information. Screws included.

### Joint Cover



Product Information	
Code	MTBJ
Dimensions (mm)	102 x 102 x 25
Pack Qty	2

Moulded joint covers with an easy clip-in mechanism for faster installation. Joint covers must be fixed when joining lengths together.  
uPVC Joint Covers are available in white, light grey and charcoal, contact the team for more information.



# Bench Trunking Units

Desktop Cable Management Systems

## 1 - Gang Units



Product Information				
Code	MTBU1	MTBU1W	MTBU1-BB	MTBU1-BBW
Height (mm)	102.5	102.5	102.5	102.5
Length (mm)	129	129	129	129
Pack Qty	1	1	1	1

## 2 - Gang Units



Product Information				
Code	MTBU2	MTBU2W	MTBU2-BB	MTBU2-BBW
Height (mm)	102.5	102.5	102.5	102.5
Length (mm)	190	190	190	190
Pack Qty	1	1	1	1

## 3 - Gang Units



Product Information				
Code	MTBU3	MTBU3W	MTBU3-BB	MTBU3-BBW
Height (mm)	102.5	102.5	102.5	102.5
Length (mm)	291	291	291	291
Pack Qty	1	1	1	1

## 4 - Gang Units

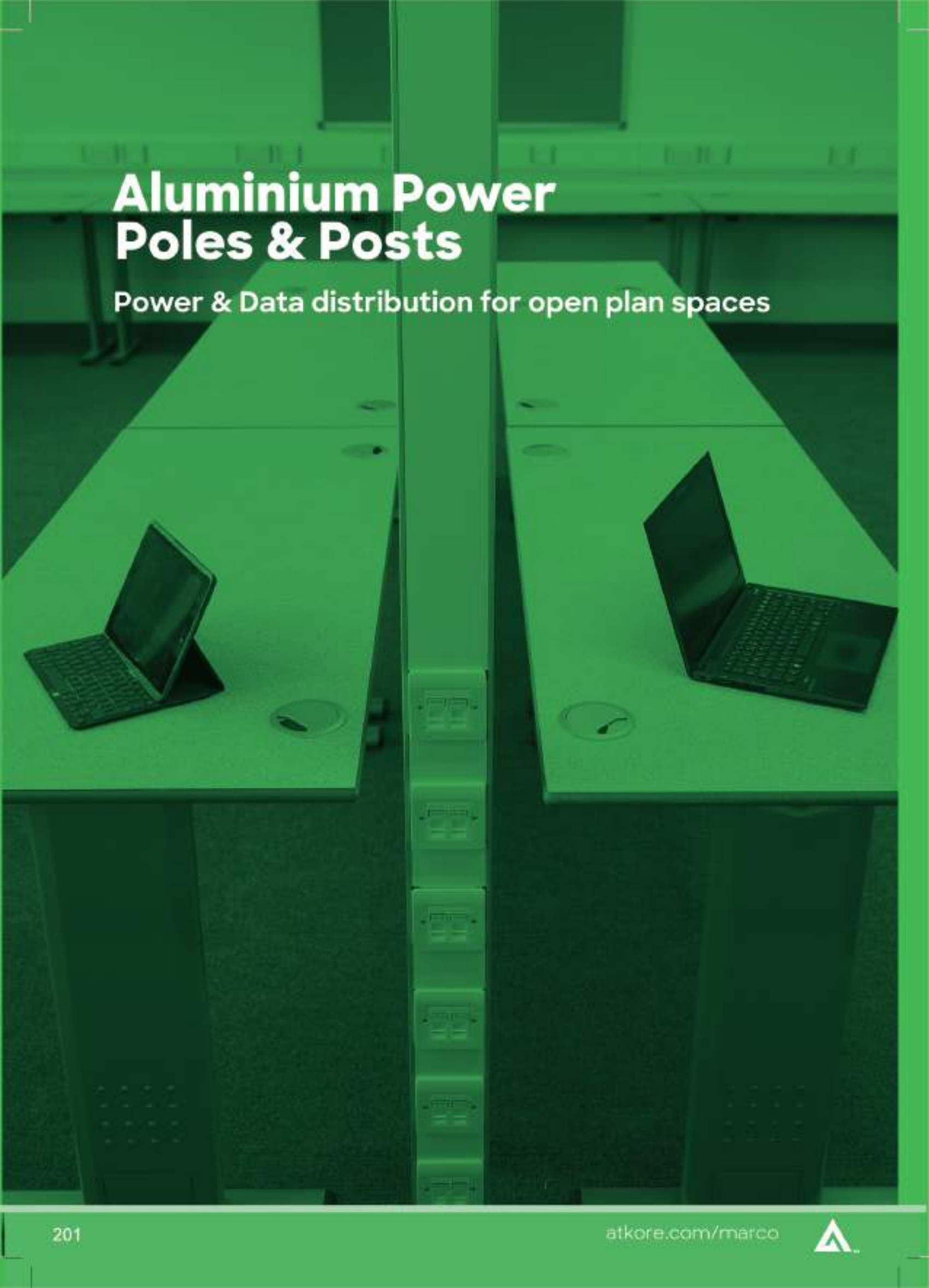


Product Information				
Code	MTBU4	MTBU4W	MTBU4-BB	MTBU4-BBW
Height (mm)	102.5	102.5	102.5	102.5
Length (mm)	352	352	352	352
Pack Qty	1	1	1	1

Alternative configurations and sizes are available. Please contact our sales team for more information on the range.

# Aluminium Power Poles & Posts

Power & Data distribution for open plan spaces



## POWER POLES & POSTS CONTENTS

Contents	Page Number
About Power Poles & Posts	Page 224
Standard Range	Page 225
Accessories	Page 226

Aluminium Cable Management Solutions

3.6 Metre & 650mm

Power poles and posts are a perfect solution for projects requiring power and data distribution to island workstations or in the middle of open-plan spaces.

The systems benefit from strong aluminium profiles, designed to retain their rigidity in all installation environments.

Both the pole and post can achieve DDA compliance through the use of Marco's contrasting centre lids.

Each system is ready to install out of the box, and comes pre-packed with all necessary accessories and fittings.

Marco power poles are available in Silver, and White finishes. All poles are supplied with white uPVC fittings.

### Key Features



#### Strong & Secure

The system benefits from a strong aluminium core profile, keeping it rigid and secure in all types of installation.\*



#### DDA & Part M

Marco's Poles & Posts are also able to accommodate Marco's contrasting centre lids, perfect for use in schools and labs.



#### Ready, straight from the box

Each of Marco's poles and posts are supplied with all necessary accessories straight out of the box. This includes 6 x 1-Gang 35mm accessory boxes and 6 metres of dividing strip.



#### 2 Colours Available

Marco's Power Poles & Posts are available in Silver and White. Silver systems have a brushed aluminium finish, white systems have a powder coated finish.

\*Extra jacking mechanism required when cutting pole down to size.

Contact sales department for more information.



# Power Poles & Posts

Aluminium Cable Management Solutions

## Silver & White Power Poles

### Power Pole

Manufactured from aluminium for extra rigidity and strength, Marco's power poles are designed to carry power and data cabling from floors or ceilings.

Available in standard silver brushed aluminium or white powder coated finishes, Marco's power poles are able to accommodate any installation.

Power poles are also available in 5 metres, and standard 3.6 metre poles can be extended using Marco's 1 metre extension kit (MTP1E1/MTP1E1W).



CODE	DESCRIPTION	PACK QTY
MTP1	Power Pole, Silver Aluminium Body, uPVC Lids	1 x 3.6m
MTP1-5	Power Pole, Silver Aluminium Body, uPVC Lids, 5 Metre	1 x 5m
MTP1W	Power Pole, White Powder-Coated Body, uPVC Lids	1 x 3.6m
MTP1W-5	Power Pole, White Powder-Coated Body, uPVC Lids, 5 Metre	1 x 5m

Each pole is supplied with the following:

- 6 x 35mm 1-Gang Socket Boxes.
- 6 x Metres of Divider.
- 10 x MTL5 Accessory Spacers.
- 1 x Jacking Mechanism.
- 1 x Floor Boot.
- 1 x Ceiling Shroud.



## Silver & White Power Posts

### Power Post

Marco power posts offer all the same cable management services as the power poles, in a smaller, desk height.

Posts are designed to carry cabling from underfloor systems to allow for power and data access in open plan spaces, specifically those which require under-desk access.

1 Metre power posts are also available.

CODE	DESCRIPTION	PACK QTY
MTPP1	Power Post, Silver Aluminium Body, uPVC Lids	1 x 650mm
MTPP1-1000	Power Post, Silver Aluminium Body, uPVC Lids, 1 Metre	1 x 1m
MTPP1W	Power Post, White Powder-Coated Body, uPVC Lids	1 x 650mm
MTPP1W-1000	Power Post, White Powder-Coated Body, uPVC Lids, 1 Metre	1 x 1m

Each post is supplied with the following:

- 6 x 35mm 1-Gang Socket Boxes.
- 6 x Metres of Divider.
- 10 x MTL5 Accessory Spacers.
- 1 x Mounting Spine.
- 1 x Floor Boot.
- 1 x Pyramid Top.



## Power Pole Accessories

Aluminium Cable Management Solutions

### 35mm Accessory Box



#### Product Information

Code	MTPSB1
Pack Qty	10

35mm Accessory box with 4 lugs.

### 25mm Accessory Box



#### Product Information

Code	MTPSB1-25
Pack Qty	10

25mm Accessory box with 4 lugs.

### Ceiling Shroud



#### Product Information

Code	MTPCS
Pack Qty	1

Replacement ceiling shroud for Marco power poles. White uPVC.

### Floor Boot



#### Product Information

Code	MTPFB
Pack Qty	1

Replacement floor boot, fits both power poles & posts. White uPVC.

### Pyramid Top



#### Product Information

Code	MTPPT
Pack Qty	1

Replacement pyramid top for the MTPPT power posts. White uPVC.

### 1 Metre Extension Kit



#### Product Information

Code	MTP1E1/MTP1E1W
Pack Qty	1

1 metre extension kits for power poles. Available in silver and white.

## Power Pole Accessories

Aluminium Cable Management Solutions

### RCD/MCB DIN Rail Housing



Product Information	
Code	MTPRCDH
Pack Qty	1

Includes: hinged cover, mounting frame and mounting bracket. Marco locking mechanism available.

### Accessory Spacer



Product Information	
Code	MTLS
Pack Qty	10

Single unit accessory spacer. Fits on to centre compartment using the same quick snap-on system as centre lid.

### Divider Strip



Product Information	
Code	MTD105
Pack Qty	16 x 15m

Slide in uPVC divider for Marco power poles & posts. Supplied in 1.5m lengths.

# Steel Wire Cable Tray

Power & Data Containment Solutions





## STEEL WIRE CABLE TRAY CONTENTS

Contents	Page Number
About Steel Wire Cable Tray	Page 230
Standard Range	Page 232
Quik-Clik System	Page 234
G-Shape	Page 235
Accessories	Page 236
System Overview	Page 244
Prefabrication Guide	Page 246
Cable Capacities	Page 255

### Steel Wire Cable Tray Systems

Marco Cable Management is the largest UK manufacturer of steel wire cable tray.

Available in electro-zinc, pre-galvanised, powder-coated and hot-dip galvanised finishes. Marco is able to supply steel wire cable tray to meet any project demand, including special manufactures of alternate grid layouts, pre-cut lengths and much more.

Offered in three standard depths, 30mm, 55mm and 106mm, Marco's steel wire cable tray is adaptable and lightweight, enabling users to easily modify the tray on-site without compromising its strength or performance.

Marco's steel wire cable tray is complemented by a large range of accessories and fittings, all designed to join and support the tray, reducing installation time and reducing overall on-site costs.

All Marco steel wire cable tray is manufactured in our state-of-the-art, custom-built facility in the UK.



## Product Family

### Steel Wire Cable Tray Systems

Marco is able to offer a comprehensive range of steel wire cable tray products, including a wide range of accessories and our new, pre-coupled, Quik-Click Tray. For specialist projects, Marco is able to supply pre-cut lengths to suit installation requirements.

The entire Marco steel wire cable tray range is available in the BIM download, found on our website.

#### Steel Wire Cable Tray

PG EZ HDG PC

Made from direct drawn bright mild steel, and ideal for a variety of applications. Marco's steel wire cable tray is manufactured to the highest standards and utilises a 100 x 50mm grid design structure. Each length is produced in 3 metres, and is available in a large variety of sizes.



#### Quik-Click System

EZ

The latest innovation in the steel wire cable tray range is the new Quik-Click system. Enabling two lengths to be coupled in under two seconds, the new system comes with two pre-installed joining couplers for faster on-site installation. Another benefit to the Quik-Click tray is the ability to remove and re-attach its couplers, allowing for modifications and size change to be easily made to the tray, without losing any of its installation benefits.

#### G-Shape Steel Wire Cable Tray

EZ

Marco's G-Shape tray has been designed as a containment solution for under-desk installations, or above suspended ceilings for service containments in small voids. The shape of the tray allows for both wall and ceiling mounting, and negates the need for suspension brackets, having the ability to be directly fixed to solid surfaces.



#### Fast-Fix Accessories

PG EZ GT TB

Marco's steel wire cable tray range is further enhanced by a large range of accessories and fittings, all designed to allow for quick and convenient on-site installation. In-particular, Marco's fast fix line of accessories have been designed for quicker installation, with a drastically reduced need for additional components such as nut & bolt or the need for heavy electrical or mechanical tools.

PG Pre-Galvanised

HDG Hot-Dip Galvanised

GT Geomet

EZ Electro Zinc

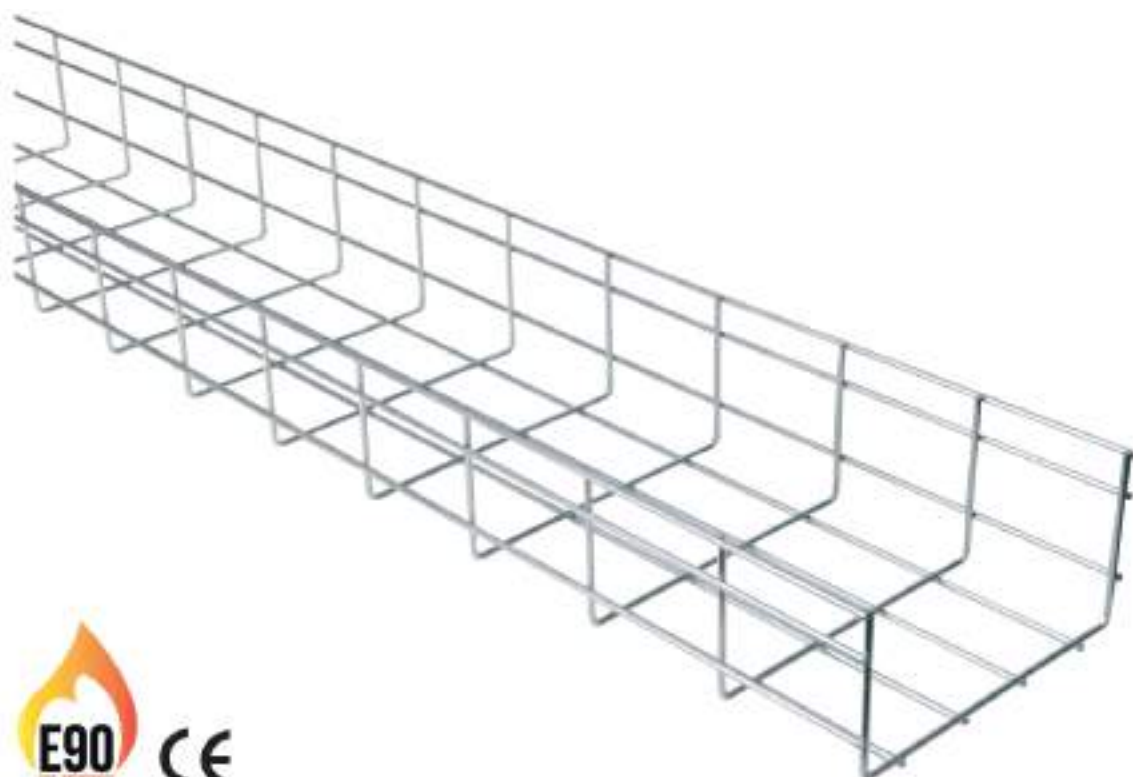
PC Powder Coated

TB Turned Brass

## Product Overview

Steel Wire Cable Tray Systems

30mm, 55mm & 106mm



Marco Cable Management is the largest UK manufacturer of steel wire cable tray. Marco's steel wire cable tray is made from direct-drawn bright mild steel, and uses a 100 x 50mm mesh grid.

Each tray is produced in 3 metre lengths and supplied in pack quantities.

The range is complemented by a wide variety of fittings and accessories, all designed to make modifying and installing the tray on site as easy as possible.

## Finishes

EZ

### Electro Zinc

BS EN ISO 2081:2009

Recommended for use in interior installations where the atmosphere is non-corrosive. Marco EZ Steel Wire Cable Tray is coated with a thickness of between 5-12 microns.

HDG

### Hot-Dip Galvanised

ISO 1461:2009

Recommended for exterior use and in more aggressive atmospheres. Marco HDG tray is coated to a minimum thickness of 55 microns.

Hot-Dip Galv tray is special item and manufactured to order.

PG

### Pre-Galvanised

BS EN 10244-2

Recommended for use in data centres and other interior applications. Marco PG Steel Wire Cable Tray is coated with a thickness of approximately 20 microns (135 gr/m<sup>2</sup> - class B). Pre-Galvanised tray is special item and manufactured to order.

PC

### Powder Coated

BS EN 13438

Powder-Coated is recommended for exterior and interior use in a range of atmospheric environments and is capable of withstanding a variety of corrosive conditions. Its installation is also suggested for data centres.

Powder Coated tray is special item and manufactured to order.

Marco Steel Wire Cable tray conforms to the following standards: BS EN 8537, IEC 6037  
For more information on the range, or for further material specifications, contact our team today.

## Standard Range

### Steel Wire Cable Tray Systems

#### 30mm Depth

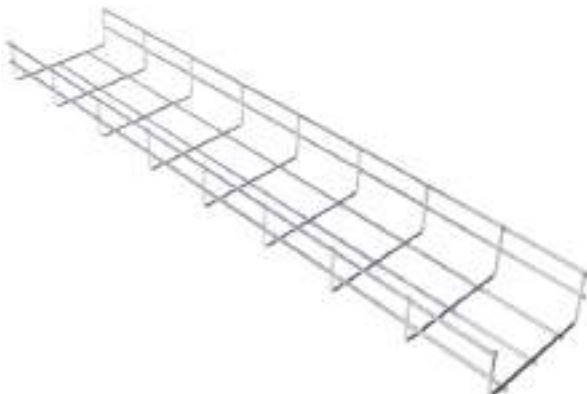
Steel Wire Cable Tray



CODE	SIZE	LENGTH	FINISH
MC3050	30 x 50mm	3m	PG, EZ, HDG, PC
MC30100	30 x 100mm	3m	PG, EZ, HDG, PC
MC30150	30 x 150mm	3m	PG, EZ, HDG, PC
MC30200	30 x 200mm	3m	PG, EZ, HDG, PC
MC30300	30 x 300mm	3m	PG, EZ, HDG, PC
MC30400	30 x 400mm	3m	PG, EZ, HDG, PC
MC30450	30 x 450mm	3m	PG, EZ, HDG, PC
MC30500	30 x 500mm	3m	PG, EZ, HDG, PC

#### 55mm Depth

Steel Wire Cable Tray



CODE	SIZE	LENGTH	FINISH
MC5550	55 x 50mm	3m	PG, EZ, HDG, PC
MC55100	55 x 100mm	3m	PG, EZ, HDG, PC
MC55150	55 x 150mm	3m	PG, EZ, HDG, PC
MC55200	55 x 200mm	3m	PG, EZ, HDG, PC
MC55300	55 x 300mm	3m	PG, EZ, HDG, PC
MC55400	55 x 400mm	3m	PG, EZ, HDG, PC
MC55450	55 x 450mm	3m	PG, EZ, HDG, PC
MC55500	55 x 500mm	3m	PG, EZ, HDG, PC
MC55600	55 x 600mm	3m	PG, EZ, HDG, PC

#### 106mm Depth

Steel Wire Cable Tray



CODE	SIZE	LENGTH	FINISH
MC106100	106 x 100mm	3m	PG, EZ, HDG, PC
MC106150	106 x 150mm	3m	PG, EZ, HDG, PC
MC106200	106 x 200mm	3m	PG, EZ, HDG, PC
MC106300	106 x 300mm	3m	PG, EZ, HDG, PC
MC106400	106 x 400mm	3m	PG, EZ, HDG, PC
MC106450	106 x 450mm	3m	PG, EZ, HDG, PC
MC106500	106 x 500mm	3m	PG, EZ, HDG, PC
MC106600	106 x 600mm	3m	PG, EZ, HDG, PC

Some sizes and finishes are made to order and minimum quantities apply. Contact our sales team for more information.

## Quik-Clik System

Steel Wire Cable Tray Systems

55mm & 106mm

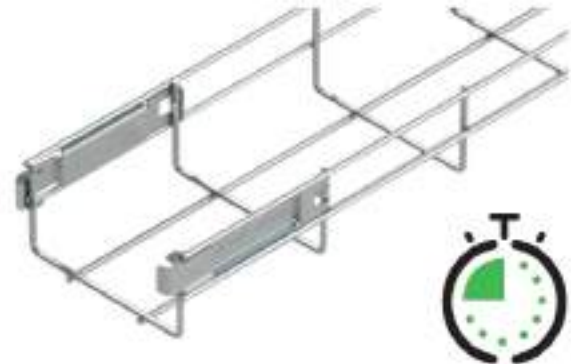
### Saving You Time, Saving You Money

In an effort to save the contractor time and money, Marco has developed the new Quik-Clik system of cable trays.

The latest innovation to Marco's steel wire cable tray line is the new MCFJC range of couplers, which is available pre-attached to lengths of steel wire cable tray.

The innovative new coupler can join two lengths of steel wire cable tray in seconds, and its flexible design allows it to be removed and re-attached with ease, retaining its functionality even after trays have been cut-to-size on site.

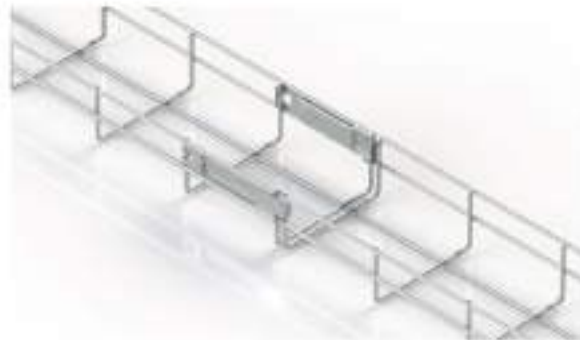
Supplied pre-fixed as standard, the MCFJC range is also available as individual accessories as part of the Marco Fast-Fix range.



2 Second Rapid Install

### 55mm Depth

Quik-Clik System



CODE	SIZE	COUPLER	LENGTH	FINISH
MCM5550	55 x 50mm Quik-Clik	MCFJC	3m	EZ
MCM55100	55 x 100mm Quik-Clik	MCFJC	3m	EZ
MCM55150	55 x 150mm Quik-Clik	MCFJC	3m	EZ
MCM55200	55 x 200mm Quik-Clik	MCFJC	3m	EZ
MCM55300	55 x 300mm Quik-Clik	MCFJCM	3m	EZ
MCM55400	55 x 400mm Quik-Clik	MCFJCL	3m	EZ
MCM55450	55 x 450mm Quik-Clik	MCFJCL	3m	EZ
MCM55500	55 x 500mm Quik-Clik	MCFJCL	3m	EZ
MCM55600	55 x 600mm Quik-Clik	MCFJCL	3m	EZ

### 106mm Depth

Quik-Clik System



CODE	SIZE	COUPLER	LENGTH	FINISH
MCM106100	106 x 100mm Quik-Clik	MCFJCM	3m	EZ
MCM106150	106 x 150mm Quik-Clik	MCFJCM	3m	EZ
MCM106200	106 x 200mm Quik-Clik	MCFJCM	3m	EZ
MCM106300	106 x 300mm Quik-Clik	MCFJCL	3m	EZ
MCM106400	106 x 400mm Quik-Clik	MCFJCL	3m	EZ
MCM106450	106 x 450mm Quik-Clik	MCFJCL	3m	EZ
MCM106500	106 x 500mm Quik-Clik	MCFJCL	3m	EZ
MCM106600	106 x 600mm Quik-Clik	MCFJCL	3m	EZ



Quik-Clik Couplers (MCFJC/M/L) Available as Individuals.

Contact our team for more information.

# G-Shape Steel Wire Cable Tray

Steel Wire Cable Tray Systems

## G-Shape Steel Wire Cable Tray

Available in four widths, Marco's G-Shape tray is designed for under desk and under shelf applications. The tray is also perfect for use above suspended ceilings, its low profile making it great for service containments in small voids.

The shape of the tray allows for both wall and ceiling mounting, negating the need for suspension brackets by being directly fixed to a solid surface using the MCCL, or MCCL25.

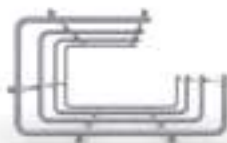
The tray can easily be installed and modified on site by one person, fabricating bends using the same accessories used for Marco's conventional tray.



CODE	DESCRIPTION	LENGTH	FINISH
MCG6060	60 x 60 G-Shape Tray	3m	EZ
MCG60100	60 x 100 G-Shape Tray	3m	EZ
MCG60150	60 x 150 G-Shape Tray	3m	EZ
MCG60200	60 x 200 G-Shape Tray	3m	EZ



MCG6060



MCG60100





MCG60150



MCG60200

## Mounting Accessories

G-Shape tray can be mounted to both walls and ceilings, by being directly mounted using the following accessories:

	TRAY	WALL	CEILING
	MCG6060	MCCL25	MCCL25
MCCL25	MCG60100	MCCL	MCCL
	MCG60150	MCCL	MCCL
MCCL	MCG60200	MCCL	MCCL



Wall Mounted



Ceiling Mounted

## Accessories

Marco's G-Shape Tray can be coupled and modified using standard Marco accessories including:



MCQC



MCQLS



MCQLL



MCCA



MCCB

Marco Steel Wire Cable tray conforms to the following standards: BS EN 61537:2007, IEC 61537.  
For more information on the range, or for further material specification, contact our team today.

Steel Wire Cable Tray

### Steel Wire Cable Tray Systems



Marco has further enhanced its reputation by the continued growth in innovative products and supporting accessories.

The steel wire cable tray accessories have been further expanded to include a new range of fast-fix designs, which help to reduce installation times on-site. These allow Marco to offer a full range of accessories for every steel wire cable tray installation requirement.

Marco's steel wire cable tray accessories now include the fast fix side couplers (MCSSC & MCSSCL), which enable two lengths of tray to be coupled together and secured in seconds, reducing installation times and meeting and exceeding earth continuity requirements to standard EN 61537.

The innovative design allows the Marco fast-fix side coupler to be installed from within the steel wire cable tray, allowing for ease of installation within confined areas.

One of the latest additions to Marco's steel wire cable tray accessories is the Pre-Galvanised Hook Coupler (MCHC-S). Designed for use on Pre-Galvanised trays, most popular in data centre installations where the possibility of zinc whiskers needs to be reduced, the new coupler clips on in seconds and forms a strong and sturdy connection between trays.



MCSSC - Marco's Highly Commended Fast-Fix Side Coupler



MCHC-S - Pre-Galvanised hook Coupler, introduced in 2018

<b>PG</b> Pre-Galvanised	<b>HDG</b> Hot-Dip Galvanised	<b>GT</b> Geomet
<b>EZ</b> Electro Zinc	<b>PC</b> Powder Coated	<b>TB</b> Turned Brass

Steel Wire  
Cable Tray



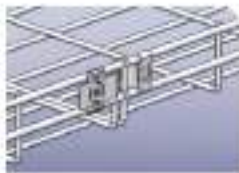
## Accessories

### Steel Wire Cable Tray Systems

#### Fast-Fix Side Coupler



Screwdriver supplied

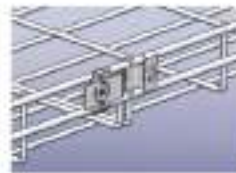


Product Information	
Code	MC55C
Finish	EZ
Pack QTY	50
Supported Sizes	MC5530-MC55200

#### Fast-Fix Side Coupler - Large



Screwdriver supplied



Product Information	
Code	MC88CL
Finish	EZ
Pack QTY	50
Supported Sizes	MC55300-MC55600 MC106100- MC106600

#### Fast-Fix Universal Strut Clip



Screwdriver supplied



Product Information	
Code	MCFUSC
Finish	GT
Pack QTY	50
Supported Sizes	MC30100-MC30500 MC55100-MC55600 MC106100- MC106600

#### Pre-Galvanised Hook Coupler



Suitable for use with PG trays only



Product Information	
Code	MCHC-5
Finish	PG
Pack QTY	50
Supported Sizes	MC5550 - MC55200

#### Quik-Click Coupler - Small



Pre-Coupled version available, see page XX



Product Information	
Code	MCFJC
Finish	EZ
Pack QTY	50
Supported Sizes	MC5550 - MC55200

#### Quik-Click Coupler - Medium



Pre-Coupled version available, see page XX



Product Information	
Code	MCFJCM
Finish	EZ
Pack QTY	50
Supported Sizes	MC55300 MC106100 - MC106300

#### Quik-Click Coupler - Large



Pre-Coupled version available, see page XX



Product Information	
Code	MCFJCL
Finish	EZ
Pack QTY	50
Supported Sizes	MC55400-MC55600 MC106300 - MC106600

#### Fast Fix Floor Bracket



Product Information	
Code	MCFFB
Finish	PG
Pack QTY	50
Supported Sizes	Fits all sizes

All products supplied with tools are subject to orders of pack quantities.

### Steel Wire Cable Tray Systems

#### Quick-Lock Small



Product Information	
Code	MCQLS
Finish	EZ
Pack QTY	25
Supported Sizes	MC3050-MC30200 MC5550-MC55200 MC106100-MC106200

#### Quick-Lock Large



Product Information	
Code	MCQLL
Finish	EZ
Pack QTY	25
Supported Sizes	MC30300-MC30500 MC55300-MC55600 MC106300-MC106600

#### Quick Coupler



Product Information	
Code	MCGC
Finish	EZ, GT
Pack QTY	50
Supported Sizes	Fits all sizes



Pulling tool supplied

#### Suspension Hanger



Product Information	
Code	MCSH
Finish	EZ, GT, PG
Pack QTY	50
Supported Sizes	MC30100-MC30500 MC55100-MC55600 MC106100-MC106600

#### Clamp Large - 6.5mm Hole



Product Information	
Code	MCCL
Finish	EZ, GT, PG
Pack QTY	50
Supported Sizes	MC30500-MC30500 MC55100-MC55600 MC106100-MC106600

#### Divider Joining Bracket



For tray dividers see page XX

Product Information	
Code	MCDJB
Finish	EZ
Pack QTY	10
Supported Sizes	Fits all sizes

#### Drop Out Plate



Product Information	
Code	MCDOP
Finish	PG
Pack QTY	50
Supported Sizes	Fits all sizes

All of Marco's Steel Wire Cable Tray products are available from our website as part of our BIM object download

EZ = Electro Zinc  
GT = Geomet  
HDG = Hot-Dip Galvanised  
PC = Powder Coated  
PG = Pre-Galvanised  
TB = Turned Brass

## Accessories

### Steel Wire Cable Tray Systems

#### Flexible Conduit Plate - 20 & 25mm



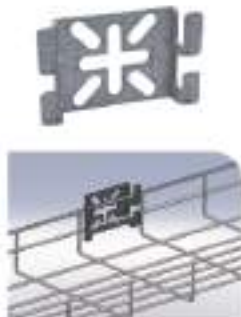
Product Information	
Code	MCFCP
Finish	PG, GT
Pack QTY	20
Supported Sizes	Fits all sizes

#### Flexible Conduit Plate - 20, 25 & 32mm



Product Information	
Code	MCFC03
Finish	PG, GT
Pack QTY	20
Supported Sizes	Fits all sizes

#### Wall Bracket/ACC Mounting Plate



Product Information	
Code	MCAMP
Finish	PG, GT
Pack QTY	20
Supported Sizes	MC5550-MC5560 MC106100-MC106600

#### Multi-Fix Plate



Product Information	
Code	MCMFP
Finish	PG
Pack QTY	50
Supported Sizes	Fits all sizes

#### Universal Support Bracket



Product Information	
Code	MCUSB
Finish	PG
Pack QTY	50
Supported Sizes	MC30100-MC30500 MC55100-MC55600 MC106100-MC106600

#### Nut, Bolt & Clamp Assembly



Product Information	
Code	MCCA
Finish	EZ, GT, PG
Pack QTY	50
Supported Sizes	Fits all sizes

#### Nut, Bolt & Clamp Fixing Assembly



Product Information	
Code	MCCB
Finish	EZ, GT
Pack QTY	50
Supported Sizes	Fits all sizes

#### Clamp Small



Product Information	
Code	MCCS
Finish	EZ, GT
Pack QTY	50
Supported Sizes	Fits all sizes

## Accessories

### Steel Wire Cable Tray Systems

#### Clamp Medium



Product Information	
Code	MCCH
Finish	EZ, GT
Pack QTY	50
Supported Sizes	Fits all sizes

#### M6 x 20 Screw, Nut & Washer



Product Information	
Code	MCME20NW
Finish	EZ, GT
Pack QTY	50
Supported Sizes	Fits all sizes

#### Splice Plate



Product Information	
Code	MCSP
Finish	PG, GT
Pack QTY	50
Supported Sizes	Fits all sizes

#### Splice Plate - 90°



Product Information	
Code	MCSP90
Finish	PG
Pack QTY	20
Supported Sizes	Fits all sizes

#### Suspension Bracket 6mm & 8mm Rod



Max safe working load 100kg

Product Information	
Code	MCSB68
Finish	PG, GT
Pack QTY	20
Supported Sizes	Fits all sizes

#### Suspension Bracket 10mm & 12mm Rod



Max safe working load 100kg

Product Information	
Code	MCSB1012
Finish	PG, GT
Pack QTY	20
Supported Sizes	Fits all sizes

#### Suspension Bracket - 50mm Tray



Max safe working load 30kg

Product Information	
Code	MC5B50
Finish	PG, GT
Pack QTY	50
Supported Sizes	MC3050 MC5550

#### Suspension Bracket - 100mm Tray



Max safe working load 30kg

Product Information	
Code	MC5B100
Finish	PG, GT
Pack QTY	50
Supported Sizes	MC30100 MC55100

## Accessories

### Steel Wire Cable Tray Systems

#### Suspension Bracket - 150mm Tray



Max safe working load 30kg

Product Information	
Code	MCSB150
Finish	PG, GT
Pack QTY	50
Supported Sizes	MC30150 MC55150

#### Bracket



Max safe working load 20kg

Product Information	
Code	MCB35
Finish	PG
Pack QTY	50
Supported Sizes	MC3050 MC5550

#### Tray Support Bracket - 50mm Tray



Product Information	
Code	MCTS35
Finish	PG
Pack QTY	50
Supported Sizes	MC3050 MC5550

#### Earth Terminal



Product Information	
Code	MCET16
Finish	TB
Pack QTY	10
Supported Sizes	MC5550-MC55600 MC106100- MC106600

#### Earth Terminal - 30mm Tray



Supplied with PG mounting bracket & accessories for mounting to 30mm tray.

Product Information	
Code	MCET16-30
Finish	TB
Pack QTY	10
Supported Sizes	MC3050 - MC30600

#### ID Tags



Product Information	
Code	MCTAG
Finish	-
Pack QTY	50

Coloured ID tags are used to differentiate which services are being carried in which containment. ID Tags can be supplied printed with ID labels to quickly identify cabling being carried in runs of tray.

Labels include:

- ELV
- LV
- DATA/COMMS
- FIRE
- ANCELLARY
- SUB MAINS

#### Bolt Croppers



Product Information	
Code	MCROP
Pack QTY	1

EZ = Electro Zinc  
GT = Geomet  
HDG = Hot-Dip Galvanised  
PC = Powder Coated  
PG = Pre-Galvanised  
TB = Turned Brass

Marco Steel Wire Cable tray conforms to the following standards: BS EN 61537:2007, IEC 61537.  
For more information on the range, or for further material specification, contact our team today.

### Steel Wire Cable Tray Systems

#### Divider

CODE	DESCRIPTION	DEPTH	LENGTH	FINISH	PACK QTY
MCD00	Steel Wire Cable Tray Divider	30mm	30mm x 3m	PG	20
MCD55	Steel Wire Cable Tray Divider	55mm	55mm x 3m	PG	16
MCD106	Steel Wire Cable Tray Divider	105mm	105mm x 3m	PG	12



Divider Joining Bracket - See Page XX



#### Steel Wire Cable Tray Lid

CODE	DESCRIPTION	TRAY WIDTH	LENGTH	FINISH	PACK QTY
MCL100	100mm Steel Wire Cable Tray Lid	100	2m	PG	6 x 2m
MCL150	150mm Steel Wire Cable Tray Lid	150	2m	PG	4 x 2m
MCL200	200mm Steel Wire Cable Tray Lid	200	2m	PG	4 x 2m
MCL300	300mm Steel Wire Cable Tray Lid	300	2m	PG	2 x 2m
MCL400	400mm Steel Wire Cable Tray Lid	400	2m	PG	2 x 2m
MCL450	450mm Steel Wire Cable Tray Lid	450	2m	PG	2 x 2m
MCL500	500mm Steel Wire Cable Tray Lid	500	2m	PG	2 x 2m
MCL600	600mm Steel Wire Cable Tray Lid	600	2m	PG	2 x 2m



#### Fast-Fix Support Bracket

CODE	DESCRIPTION	LUGS	FINISH	PACK QTY
MCCSB100	Fast-Fix Channel Support Bracket for 100mm wide tray, 200mm long	2	PG	50
MCCSB150	Fast-Fix Channel Support Bracket for 150mm wide tray, 250mm long	3	PG	60
MCCSB200	Fast-Fix Channel Support Bracket for 200mm wide tray, 300mm long	4	PG	50
MCCSB300	Fast-Fix Channel Support Bracket for 300mm wide tray x 400mm long	6	PG	25
MCCSB400	Fast-Fix Channel Support Bracket for 400mm wide tray x 500mm long	8	PG	25
MCCSB450	Fast-Fix Channel Support Bracket for 450mm wide tray x 550mm long	9	PG	25
MCCSB500	Fast-Fix Channel Support Bracket for 500mm wide tray x 600mm long	10	PG	25
MCCSB600	Fast-Fix Channel Support Bracket for 600mm wide tray x 700mm long	12	PG	25
MCCSB1000	Fast-Fix Channel Support Bracket for 1000mm wide tray x 1000mm long	20	PG	25



Product Shown  
MCCSB200

#### Fast-Fix Wall Bracket

CODE	DESCRIPTION	TRAY WIDTH	LOAD (KG)	FINISH	PACK QTY
MCWFB100	Fast-Fix Wall Bracket	100	175	PG	12
MCWFB150	Fast-Fix Wall Bracket	150	200	PG	12
MCWFB200	Fast-Fix Wall Bracket	200	140	PG	12
MCWFB300	Fast-Fix Wall Bracket	300	100	PG	12
MCWFB400	Fast-Fix Wall Bracket	400	95	PG	12
MCWFB450	Fast-Fix Wall Bracket	450	70	PG	12



## Accessories

### Steel Wire Cable Tray Systems

#### Fast-Fix Ceiling Bracket

CODE	DESCRIPTION	TRAY WIDTH	LOAD (KG)	FINISH	PACK QTY
MCCFB100	Fast-Fix Ceiling Bracket	100	135	PG	50
MCCFB150	Fast-Fix Ceiling Bracket	150	125	PG	50
MCCFB200	Fast-Fix Ceiling Bracket	200	90	PG	50
MCCFB300	Fast-Fix Ceiling Bracket	300	75	PG	50
MCCFB400	Fast-Fix Ceiling Bracket	400	50	PG	50
MCCFB450	Fast-Fix Ceiling Bracket	450	44	PG	50



#### Cantilever Bracket

CODE	DESCRIPTION	TRAY WIDTH	FINISH	PACK QTY
MCCB100	Cantilever Bracket	100	PG	20
MCCB150	Cantilever Bracket	150	PG	20
MCCB200	Cantilever Bracket	200	PG	20
MCCB300	Cantilever Bracket	300	PG	20
MCCB400	Cantilever Bracket	400	PG	20



#### Wall/Floor Bracket

CODE	DESCRIPTION	TRAY WIDTH	ADDITIONAL COMPONENTS	FINISH	PACK QTY
MCWB50	Wall/Floor Bracket	50	MCTCS35 / MCCB or MCB35 / MCM620NW	PG	100
MCWB100	Wall/Floor Bracket	100	MCCL / MCM620NW	PG	100
MCWB150	Wall/Floor Bracket	150	MCCL / MCM620NW	PG	100
MCWB200	Wall/Floor Bracket	200	MCCL / MCM620NW	PG	50
MCWB300	Wall/Floor Bracket	300	MCCL / MCM620NW	PG	50
MCWB400	Wall/Floor Bracket	400	MCCL x 2 / MCM620NW x 2	PG	50
MCWB450	Wall/Floor Bracket	450	MCCL x 2 / MCM620NW x 2	PG	25
MCWB500	Wall/Floor Bracket	500	MCCL x 2 / MCM620NW x 2	PG	25
MCWB600	Wall/Floor Bracket	600	MCCL x 2 / MCM620NW x 2	PG	25



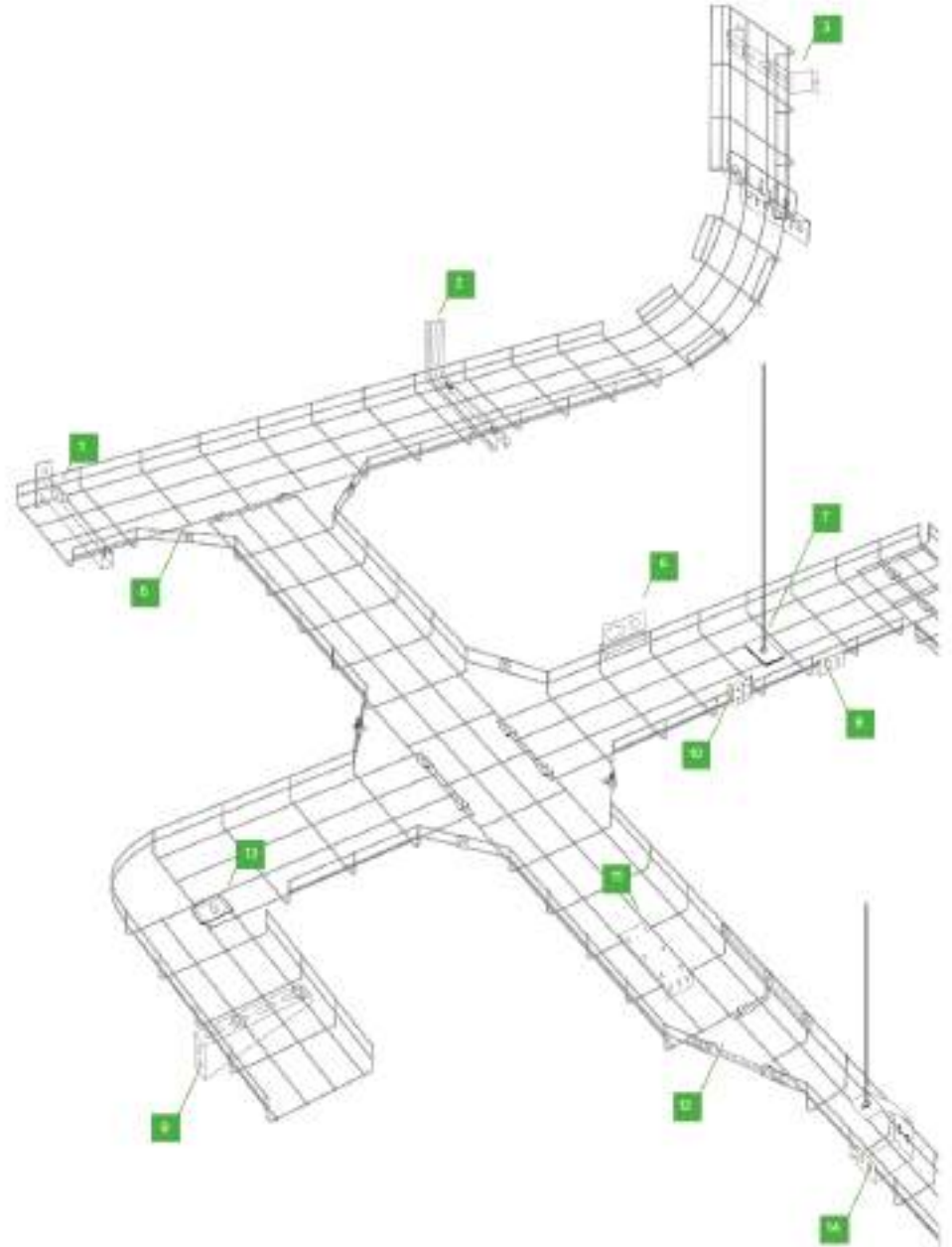
All of Marco's Steel Wire Cable Tray products are available from our website as part of our BIM object download.

EZ = Electro Zinc  
GT = Geomet  
HDG = Hot-Dip Galvanised  
PC = Powder Coated  
PG = Pre-Galvanised  
TB = Turned Brass

Steel Wire  
Cable Tray

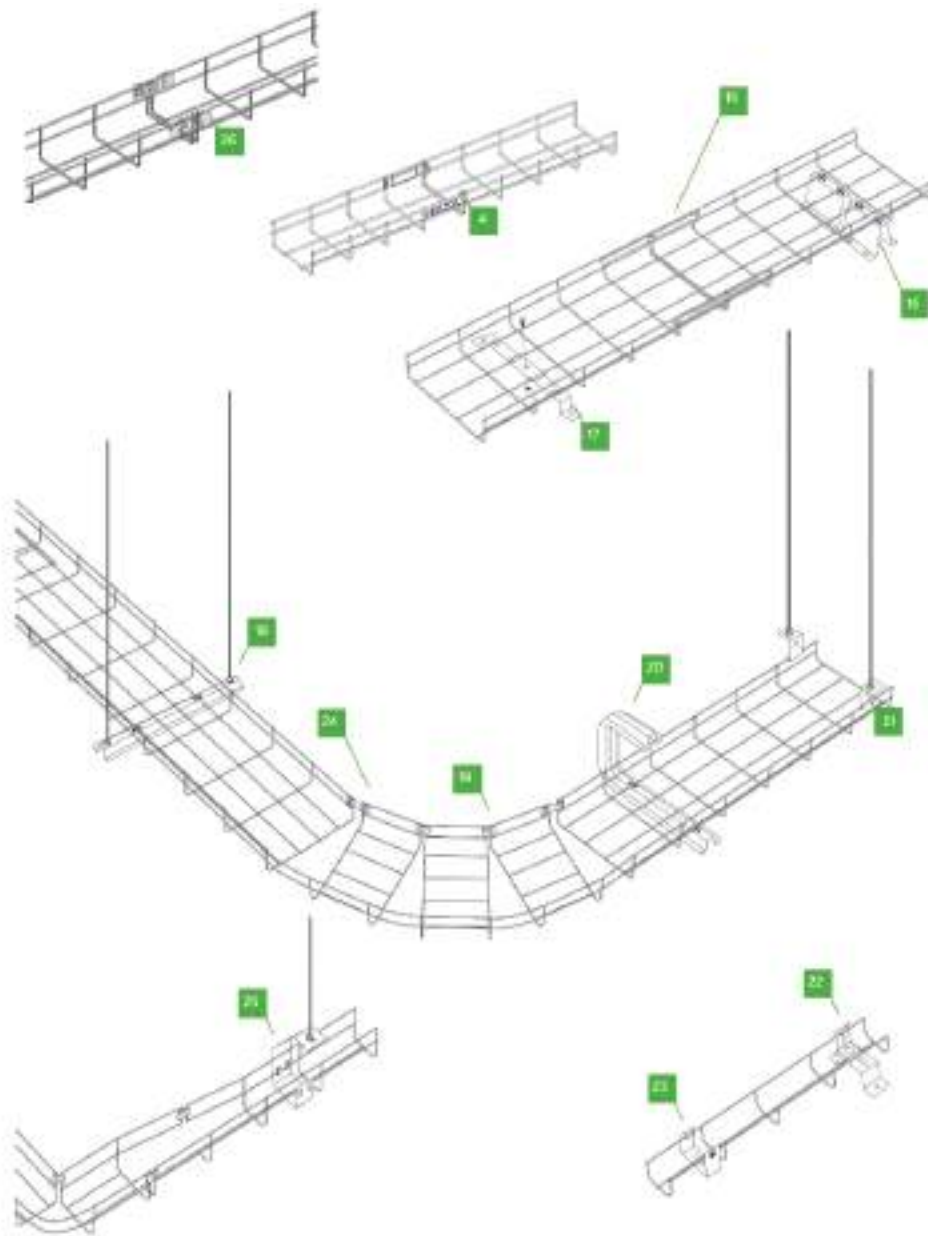
## System Overview

- |  |  |
|--|--|
| <p>1</p>  <p><b>MCFUSC</b><br/>Fast fit universal strut clip</p>                                  | <p>2</p>  <p><b>MCWFB</b><br/>Fast fit wall bracket</p>   |
| <p>3</p>  <p><b>MCWB</b><br/>Wall bracket</p>   | <p>4</p>  <p><b>MCFJC</b><br/>Gull-clip side coupler</p>  |
| <p>5</p>  <p><b>MCCA</b><br/>Nut, bolt &amp; clamp assembly</p>                                   | <p>6</p>  <p><b>MCFCP3</b><br/>Flexible conduit plate 22, 25 &amp; 32 glands</p>  |
| <p>7</p>  <p><b>MCSH</b><br/>Suspension hanger</p>  | <p>8</p>  <p><b>MCFCP</b><br/>Flexible conduit plate 20 &amp; 25mm glands</p>   |
| <p>9</p>  <p><b>MCCB200</b><br/>Cantilever bracket (other widths available)</p>                 | <p>10</p>  <p><b>MCAMP</b><br/>Wall bracket/ACC mounting plate</p>  |
| <p>11</p>  <p><b>MCDOP</b><br/>Drop out plate</p>   | <p>12</p>  <p><b>MCSP</b><br/>Splice plate</p>  |
| <p>13</p>  <p><b>MCCL</b><br/>Z MCCL large clamps with MCH620HW hex screw &amp; flanged nut</p> | <p>14</p>  <p><b>MCSB100</b><br/>Suspension bracket for MC30100 &amp; MCS5100 MCSB50 &amp; MCSB150 also available</p> |





# System Overview



Marco Steel Wire Cable tray conforms to the following standards: BS EN 61537:2007, IEC 61537.  
For more information on the range, or for further material specification, contact our team today.

# Prefabrication Guide

## Steel Wire Cable Tray Systems

### Introduction

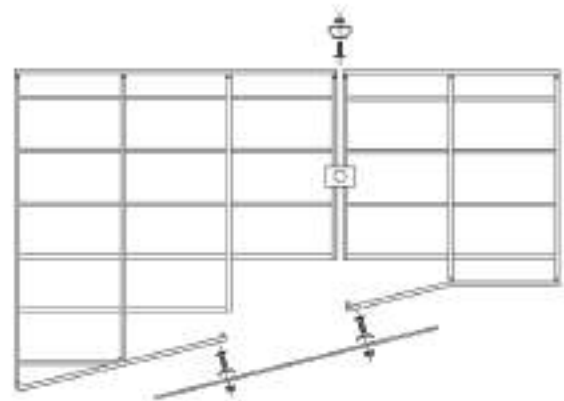
Available in Electro-Zinc, Pre-Galvanised, Powder-Coated, Hot-Dip Galvanised, Marco's steel wire cable tray is offered in three depths - 30mm, 55mm and 106mm. A wide range of fittings is available to join and support the steel wire cable tray.

The following section is intended to be used as a guide to fabricating steel wire cable tray fittings on site. A wide range of fittings and accessories are available to join the tray.

### Reducers

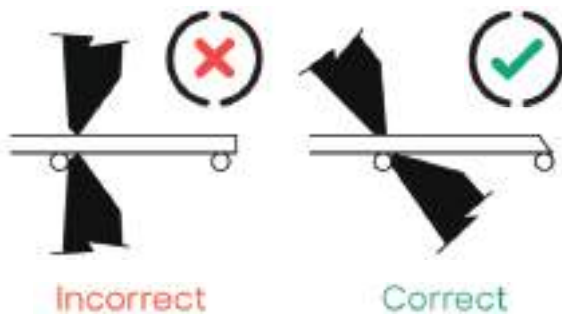


MC55300 and MC55100



Example of MC55300 - MC55200  
MCCA x 3 or MCCB x 2 plus MCSP x 50mm

### Wire Cutting Directions



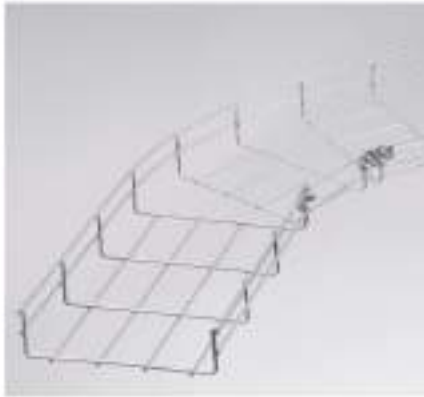
### Typical Fabricated Reducer Components

CODE	COMPONENT	QTY
MCCA		x2
MCCA		x2
MCSP		x1

All bends easily fabricated on-site

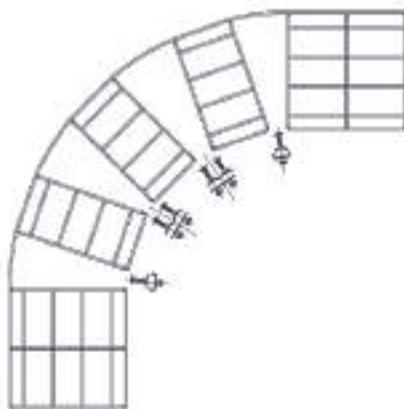
# Large Radius Bend

Fabrication Guide














### NEW LARGE RADIUS BEND - QUICK ASSEMBLY GUIDE

TRAY WIDTH	100mm	150mm	200mm	300mm	400mm	450mm	500mm	600mm
REMOVE SEGMENTS	2	3	4	6	8	9	10	12
MCGLS	2	3	4					
MCGLL				6	8	9	10	12



Alternate sections to be removed.  
Example of MC55200, MCCA x 2,  
MCCB x 2, MCSP x 50mm x 1 [to  
be cut to size on site]

TRAY WIDTH (mm)	FASTENING TYPE	MCCB	MCCA	REMOVED SEGMENTS
100	MCCB x 4	 x4		2
150	MCCB x 2 MCSP x 50mm x 1	 x3		3
200	MCCB x 2 MCSP x 50mm x 1	 x4		4
300	MCCB x 2 MCCA x 2 MCSP x 50mm x 1	 x2	 x2	6
400	MCCB x 2 MCCA x 4 MCSP x 50mm x 1	 x2	 x4	8
450	MCCB x 2 MCCA x 6 MCSP x 50mm x 1	 x2	 x6	9
500	MCCA x 9		 x9	10
600	MCCA x 11		 x11	12

Steel Wire  
Cable Tray

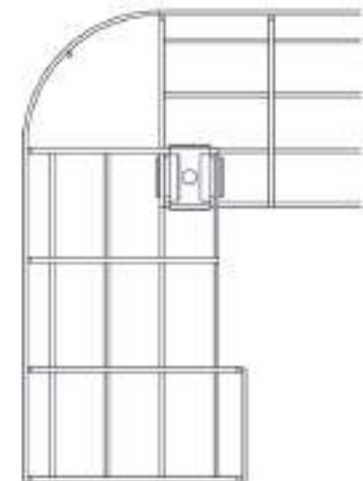
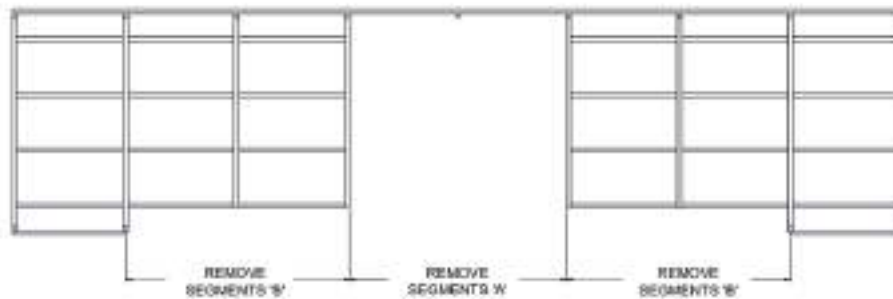
Marco Steel Wire Cable tray conforms to the following standards: BS EN 61537:2007, IEC 61537.  
For more information on the range, or for further material specification, contact our team today.

# Small Radius Bend

## Fabrication Guide



TRAY WIDTH (mm)	FASTENING TYPE	MCM620NW MCCL x 2	MCCA	REMOVED SEGMENTS A	REMOVED SEGMENTS B
100	MCCA		 x1	1	1
150	MCCL x2 MCM620NW x1	 x1	 x1	1	2
200	MCCL x2 MCM620NW x1	 x1		2	2
300	MCCL x2 MCM620NW x1	 x1		2	4
400	MCCL x2 MCM620NW x1	 x1		2	4
450	MCCL x2 MCM620NW x1	 x1		2	4
500	MCCL x2 MCM620NW x1	 x1		2	5
600	MCCL x2 MCM620NW x1	 x1		2	6



Example of MC55200, MCCL x 2, MCM620NW x 1

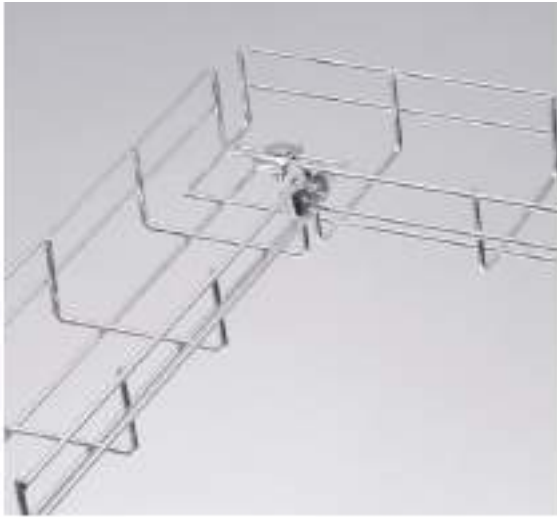



Find us in the Beama best practice guide for additional installation instructions

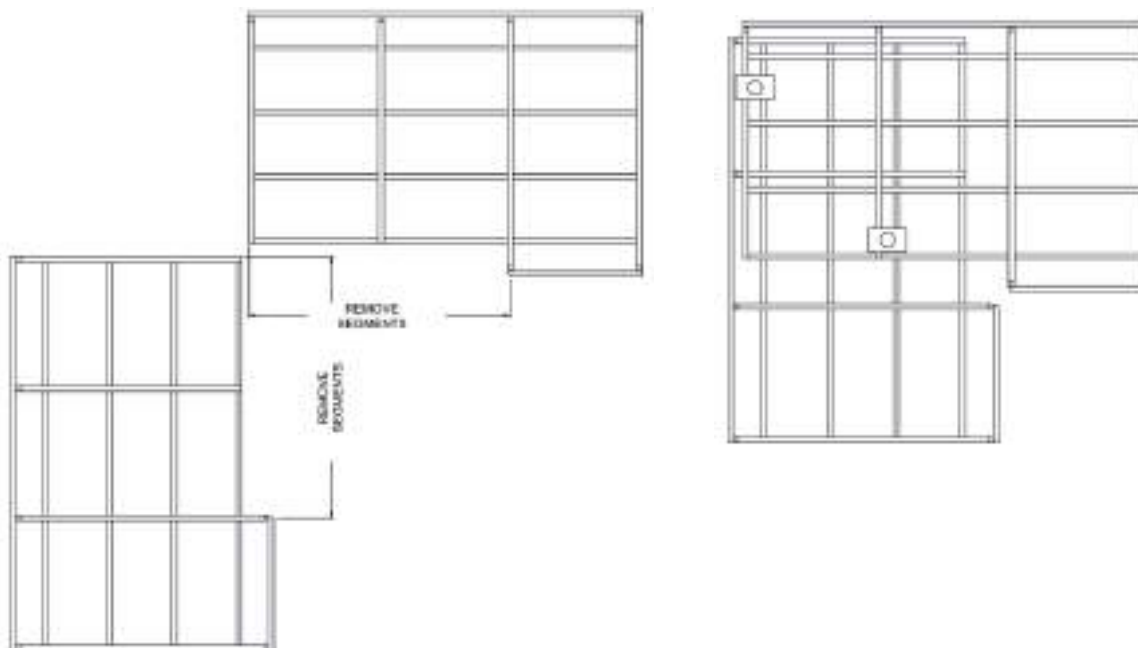


# Right Angle Bend

Fabrication Guide



TRAY WIDTH (mm)	FASTENING TYPE	MCCA	REMOVED SEGMENTS
100	MCCA	 x2	1
150	MCCA	 x2	2
200	MCCA	 x2	2
300	MCCA	 x2	3
400	MCCA	 x2	4
450	MCCA	 x2	4
500	MCCA	 x2	5
600	MCCA	 x2	6

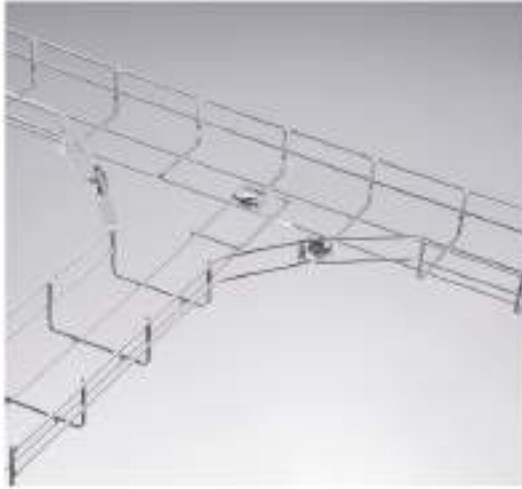


Steel Wire  
Cable Tray

Marco Steel Wire Cable tray conforms to the following standards: BS EN 61537:2007, IEC 61537.  
For more information on the range, or for further material specification, contact our team today.

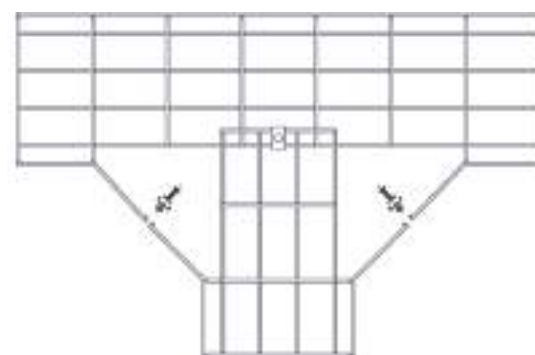
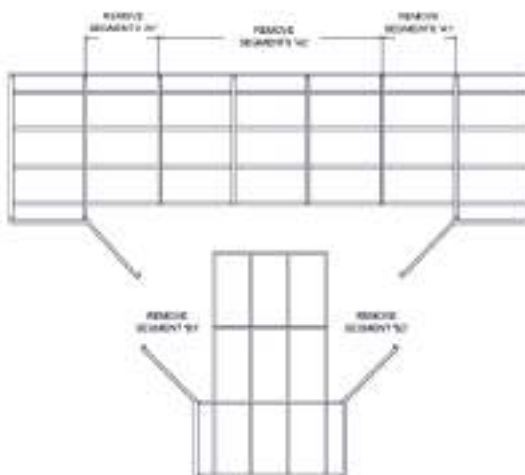
## Small Radius Bend

### Fabrication Guide



TRAY WIDTH (mm)	FASTENING TYPE	MCCB	MCCA	REMOVED SEGMENTS		REMOVED SEGMENTS	
				A1	A2	B1	B2
100	MCCA		 x3			1	1
150	MCCA MCCB x 2 MCSP x 50mm	 x2	 x1	3	2	1	1
200	MCCA		 x3	3	2	1	1
300	MCCA		 x4	4	2	1	1
400	MCCA		 x4	5	2	1	1
450	MCCA		 x4	5	2	1	1
500	MCCA MCCB x 2 MCSP x 50mm	 x2	 x2	6	2	1	1
600	MCCA MCCB x 2 MCSP x 50mm	 x2	 x2	6	2	1	1

Steel Wire  
Cable Tray

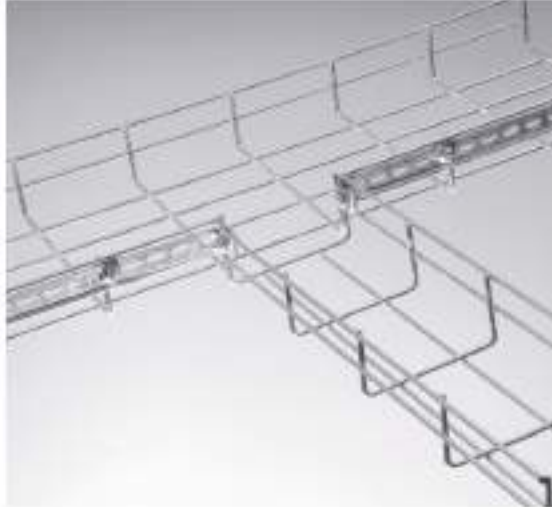



Find us in the Beama best practice guide for additional installation instructions

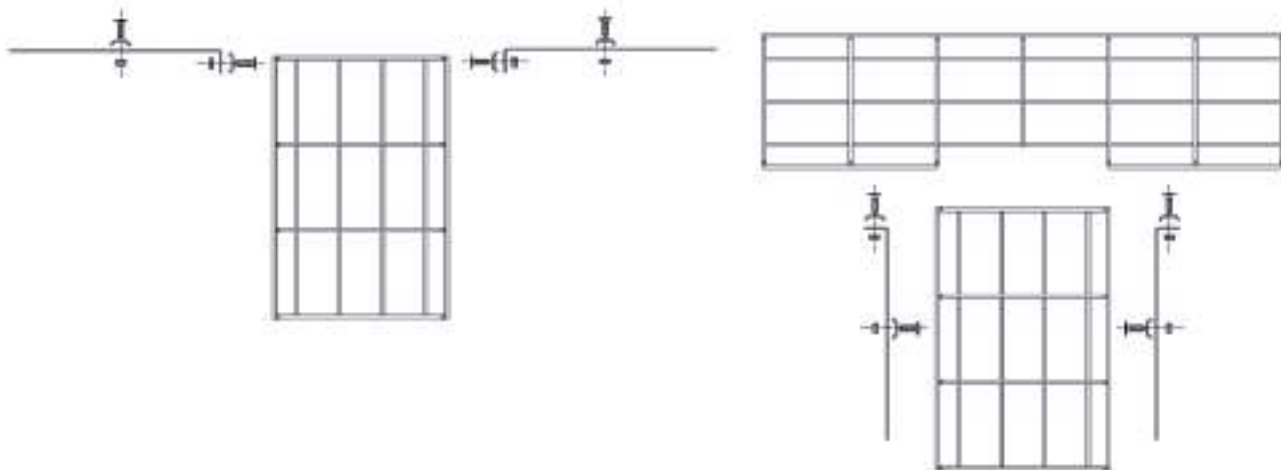


# Right Angle Bend

## Fabrication Guide



TRAY WIDTH (mm)	FASTENING TYPE	MCCB	MCSP90	REMOVED SEGMENTS
100	MCCB MCSP90	 x4	 x2	1
150	MCCB MCSP90	 x4	 x2	2
200	MCCB MCSP90	 x4	 x2	2
300	MCCB MCSP90	 x4	 x2	3
400	MCCB MCSP90	 x4	 x2	4
450	MCCB MCSP90	 x4	 x2	4
500	MCCB MCSP90	 x4	 x2	5
600	MCCB MCSP90	 x4	 x2	6



Example shows MC55200 to MC55150

Steel Wire  
Cable Tray

Marco Steel Wire Cable tray conforms to the following standards: BS EN 61537:2007, IEC 61537.  
For more information on the range, or for further material specification, contact our team today.

## Wall Support Bracket Recommendations

### Fabrication Guide

REF NO	DIMENSIONS (MM)	FAST FIX WALL BRACKET	CANTILEVER BRACKET	WALL/FLOOR BRACKET	MCAMP	MCB35
MC3050	30 x 50	-	MCCB100*	MCWB50	-	1
MC30100	30 x 100	MCWFB100	MCCB100	MCWB100 / MCCSB100	-	-
MC30150	30 x 150	MCWFB150	MCCB150	MCWB150 / MCCSB150	-	-
MC30200	30 x 200	MCWFB200	MCCB200	MCWB200 / MCCSB200	-	-
MC30300	30 x 300	MCWFB300	MCCB300	MCWB300 / MCCSB300	-	-
MC30400	30 x 400	MCWFB400	MCCB400	MCWB400 / MCCSB400	-	-
MC30450	30 x 450	MCWFB450	-	MCWB450 / MCCSB450	-	-
MC30500	30 x 500	-	-	MCWB500 / MCCSB500	-	-
MC5550	55 x 50	-	MCCB100*	MCWB50	1	1
MC55100	55 x 100	MCWFB100	MCCB100	MCWB100 / MCCSB100	-	-
MC55150	55 x 150	MCWFB150	MCCB150	MCWB150 / MCCSB150	-	-
MC55200	55 x 200	MCWFB200	MCCB200	MCWB200 / MCCSB200	-	-
MC55300	55 x 300	MCWFB300	MCCB300	MCWB300 / MCCSB300	-	-
MC55400	55 x 400	MCWFB400	MCCB400	MCWB400 / MCCSB400	-	-
MC55450	55 x 450	MCWFB450	-	MCWB450 / MCCSB450	-	-
MC55500	55 x 500	-	-	MCWB500 / MCCSB500	-	-
MC55600	55 x 600	-	-	MCWB600 / MCCSB600	-	-
MC106100	106 x 100	MCWFB100	MCCB100*	MCWB100 / MCCSB100	-	-
MC106150	106 x 150	MCWFB150	MCCB100	MCWB150 / MCCSB150	-	-
MC106200	106 x 200	MCWFB200	MCCB200	MCWB200 / MCCSB200	-	-
MC106300	106 x 300	MCWFB300	MCCB300	MCWB300 / MCCSB300	-	-
MC106400	106 x 400	MCWFB400	MCCB400	MCWB400 / MCCSB400	-	-
MC106450	106 x 450	MCWFB450	-	MCWB450 / MCCSB450	-	-
MC106500	106 x 500	-	-	MCWB500 / MCCSB500	-	-
MC106600	106 x 600	-	-	MCWB600 / MCCSB600	-	-

Marco Steel Wire Cable tray conforms to the following standards: BS EN 61537:2007, IEC 61537. For more information on the range, or for further material specification, contact our team today.



# Suspension Bracket Recommendations

Fabrication Guide

REF NO	DIMENSIONS (MM)	SUPPORT CHANNEL STANDARD/FAST-FIX	MCSB68 MCSB102	MCSH	MCSB50	MCSB100	MCSB150
MC3050	30 x 50	-	2	-	1	-	-
MC30100	30 x 100	MCCSB100	2	1	-	1	-
MC30150	30 x 150	MCCSB150	2	1**	-	-	1
MC30200	30 x 200	MCCSB200	2	1	-	-	-
MC30300	30 x 300	MCCSB300	-	-	-	-	-
MC30400	30 x 400	MCCSB400	-	-	-	-	-
MC30450	30 x 450	MCCSB450	-	-	-	-	-
MC30500	30 x 500	MCCSB500	-	-	-	-	-
MC5550	55 x 50	-	2	-	1	-	-
MC55100	55 x 100	MCCSB100	2	1	-	1	-
MC55150	55 x 150	MCCSB150	2	1	-	-	1
MC55200	55 x 200	MCCSB200	2	1	-	-	-
MC55300	55 x 300	MCCSB300	-	-	-	-	-
MC55400	55 x 400	MCCSB400	-	-	-	-	-
MC55450	55 x 450	MCCSB450	-	-	-	-	-
MC55500	55 x 500	MCCSB500	-	-	-	-	-
MC55600	55 x 600	MCCSB600	-	-	-	-	-
MC106100	106 x 100	MCCSB100	2	1	-	-	-
MC106150	106 x 150	MCCSB150	2	1**	-	-	-
MC106200	106 x 200	MCCSB200	-	-	-	-	-
MC106300	106 x 300	MCCSB300	-	-	-	-	-
MC106400	106 x 400	MCCSB400	-	-	-	-	-
MC106450	106 x 450	MCCSB450	-	-	-	-	-
MC106500	106 x 500	MCCSB500	-	-	-	-	-
MC106600	106 x 600	MCCSB600	-	-	-	-	-

Suspension brackets can be used effectively only up to a certain weight. For larger Steel Wire Cable Tray, support channels are recommended.

\* Due to a central wire running down the length of the tray a MCSB35 is needed.

\*\* Due to a central wire running down the length of the tray, central suspension brackets would need to be staggered.

Steel Wire  
Cable Tray

## Coupler Recommendations

Fabrication Guide:

REF NO	MCQC QUICK COUPLER		MCCA COUPLER		MCSSC COUPLER	MCSSCL COUPLER	MCRIC COUPLER	MCFICH COUPLER	MCFJCL COUPLER
	SIDE	BASE	SIDE	BASE	SIDE	SIDE	SIDE	SIDE	SIDE
MC3050	2	-	2	-					
MC30100	2	-	2	1					
MC30150	2	-	2	1					
MC30200	2	1	2	1					
MC30300	2	1	2	2					
MC30400	2	2	2	2					
MC30450	2	2	2	2					
MC30500	2	2	2	2					
MC5550	2	-	2	-	2		2		
MC55100	2	-	2	1	2		2		
MC55150	2	1	2	1	2		2		
MC55200	2	1	2	1	2		2		
MC55300	2	1	2	2		2		2	
MC55400	2	2	2	2		2			2
MC55450	2	2	2	2		2			2
MC55500	2	2	2	2		2			2
MC55600	2	3	2	3		2			2
MC106100	2	1	2	1		2		2	
MC106150	2	1	2	1		2		2	
MC106200	2	1	2	1		2			2
MC106300	2	2	2	2		2			2
MC106400	2	3	2	3		2			2
MC106450	2	3	2	3		2			2
MC106500	2	3	2	3		2			2
MC106600	2	3	2	3		2			2

This table is intended to be used as a guide only.  
For large volumes of cable, more support may be necessary

Steel Wire  
Cable Tray



# Cable Capacities

Fabrication Guide

## 30mm Depth

Steel Wire Cable Tray

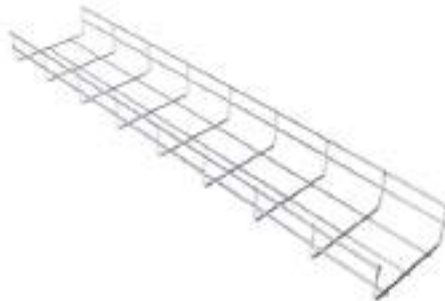


TABLES SHOWING APPROXIMATE CABLE CAPACITIES OF ALL STEEL WIRE CABLE TRAYS USING A 50% FILL RATIO

MC30			APPROX CABLE CAPACITY UNDER NEC 50% RULE		
CABLE TRAY	TOTAL FILL AREA (mm <sup>2</sup> )	NEC 50% RULE: ALLOWABLE FILL AREA (mm <sup>2</sup> )	CAT5e 4-pr UTP (4.9mm diam)	CAT 6 4-pr UTP (6.5mm diam)	CAT 6a 4-pr UTP (8.9 diam)
MC3050	1400	700	37	21	11
MC30100	2800	1400	74	42	23
MC30150	4200	2100	111	63	34
MC30200	5600	2800	148	84	45
MC30300	8400	4200	223	127	68

## 55mm Depth

Steel Wire Cable Tray



MC55			APPROX CABLE CAPACITY UNDER NEC 50% RULE		
CABLE TRAY	TOTAL FILL AREA (mm <sup>2</sup> )	NEC 50% RULE: ALLOWABLE FILL AREA (mm <sup>2</sup> )	CAT5e 4-pr UTP (4.9mm diam)	CAT 6 4-pr UTP (6.5mm diam)	CAT 6a 4-pr UTP (8.9 diam)
MC5550	2600	1300	69	39	21
MC55100	5200	2600	138	78	42
MC55150	7800	3900	207	118	63
MC55200	10400	5200	276	157	84
MC55300	15600	7800	414	235	125
MC55400	20800	10400	552	313	167
MC55450	23400	11700	620	353	188
MC55500	26000	13000	689	392	209
MC55600	31200	15599.95	827	470	251

## 106mm Depth

Steel Wire Cable Tray



MC106			APPROX CABLE CAPACITY UNDER NEC 50% RULE		
CABLE TRAY	TOTAL FILL AREA (mm <sup>2</sup> )	NEC 50% RULE: ALLOWABLE FILL AREA (mm <sup>2</sup> )	CAT5e 4-pr UTP (4.9mm diam)	CAT 6 4-pr UTP (6.5mm diam)	CAT 6a 4-pr UTP (8.9 diam)
MC106100	10303	5152	273	155	83
MC106150	15452	7726	410	233	124
MC106200	20600	10300	546	310	166
MC106300	30903	15452	819	466	248
MC106400	41200	20600	1092	621	331
MC106450	46348	23174	1229	698	373
MC106500	51503	26752	1366	776	414
MC106600	617800	30900	1639	931	497

Steel Wire  
Cable Tray



**fischer**  
**M&E Solutions**  
**Supplied by**



**NATIONAL CABLE MANAGEMENT**  
**DISTRIBUTORS LTD**



## EA II Hammerset anchor - Internal threaded anchor with rim



EA II approved range available from sizes M6 - M20.

- The rim prevents the anchor from slipping too deep into the drill hole.
- The EA II is easy to hammer in and expand.
- Maximum load capacity in (non-cracked) concrete.
- Can be used with components thicker than 80 mm.
- The EA II M12x50 D with a greater sleeve diameter is specifically designed for fixing diamond saws and core drill equipment.



EA II reduced anchorage depth hef 25 mm.

- Reduced drill hole depth of the EA II  $h_{ef} = 25$  mm allows much faster installation and reduces the risk of reinforcement strikes.
- ETA compliant utilisation of commercial threaded bars and screws is possible.
- The black fixing point prevents the anchor from falling out of the drill hole before being expanded.

## FAZ II



FAZ II available from sizes M6 - M24  
Diamond Drilling Now Approved

- The tried-and-trusted expansion clip makes large load-bearing capacities possible, so fewer fixing points and smaller anchor plates are required.
- The reduced anchorage depths makes considerably shorter drill hole depths possible, so providing a noticeably faster installation.
- Fewer hammer blows and minimal torque slippage ensure safe and easy setting.
- The international approvals guarantee maximum safety and the best performance. Applications in earthquake regions (Seismic) are also covered by these approvals.



FAZ II K Anchor Bolt - Shorter Version

- The shorter bolt with reduced embedment depth is the economic choice for numerous applications such as substructures for facades and the fixing of cable trays.
- **NEW!** Market introduction of the FAZ II M6.
- Smallest diameter ETA certified.
- The first bolt anchor M6 Option 1 in the world.

## FBN II Anchor Bolt - Powerful anchor for ultimate demands



FBN II available from sizes M6 - M20

- The standard anchorage depth achieves the maximum load-bearing capacity in non-cracked concrete.
- Reduced anchorage depth reduces the drill hole depth, minimizes installation time.
- Long threads increase the range of base plate thicknesses possible allowing stand-off installations and increased flexibility.
- Less hammer blows and the minimal torque slippage allow for a noticeably simpler installation.
- Standard anchorage depth achieves large load-bearing capacities so fewer fixing points and smaller anchor plates are required.
- The drive-in pin protects the thread from damage, and ensures faster installation or dismantling of the attachments.



FBN II GS with large washer for flexible use in non-cracked concrete.

- The pre-fitted washer ensures a fast installation.
- The large washer creates a greater supporting surface which is ideal for timber constructions.

## FBS 6 - Versatile screw for fast simple installations



### Approved for:

- Concrete C20/25 to C50/60, cracked, for the multiple fixings of non-load bearing systems
- Pre-stressed concrete hollow slabs C30/37 to C50/60

### Also suitable for:

- Concrete C12/15
- Natural stone with dense structure



- The FBS 6 with two different screw-in depths offers maximum flexibility.
- The small drill hole depths and the reduced screw-in depths noticeably speeds up and facilitates the assembly.
- The short version (reduced screw-in depth) is the quick, cost effective choice for a wide range of applications.
- The FBS 6 is approved for multi-point fixings of non-load bearing systems and is now also approved for applications in prestressed concrete hollow ceilings.
- FBS 6 type SK, US and P are suited for push-through installation.
- Types M8 and M8/M10 I are suited for pre-positioned assembly.

## FBS II ULTRACUT - High performance concrete screw



The short ULTRACUT FBS II, with a reduced screw-in depth, allows for a short drill hole depth and fast installation which makes it a suitable option for many applications.



The checking gauge, available separately, allows the outer diameter of the thread to be checked prior to the screw being reused; this complies with the approval for multiple use.



- With up to 3 embedment depths, the ULTRACUT FBS II makes it possible for the same screw to be used for different component thicknesses.
- Expansion-free anchoring (undercut) allows for lowest edge and axial clearances.
- The assessment (ETA Option 1) covers the use of single-point anchors in cracked and non-cracked concrete.
- The performance categories Seismic C1 and C2 assessment ensures that the strictest of safety standards has been fulfilled (also with high earthquake specifications).
- The checking gauge allows a multiple use covered by the approval.

## FNA II The installation-friendly hammer-set anchor option 1 ETA for multiple fixings



A range of head shapes allows for the fixing of wide-ranging fixtures



- The special active principle allows for a simple hammer-set installation and, therefore, a short processing time.
- The extremely short anchor depth prevents reinforcement hits and creates the conditions for a trouble-free installation.
- The enhanced expansion clip guarantees a secure hold when placed in the drill hole and prevents it falling out during overhead installations.
- The substantial shaft cross-section guarantees a high load-bearing capacity, which offers an extremely high level of safety.
- A range of different head types allows for the fixing of wide-ranging fixtures, and for the ideal adaptation to suit the intended use.
- The FNA II with nail head is suitable for push-through installation. The FNA II M6 is suitable for pre-positioned and push-through installation. The FNA II GE and H are suitable for pre-positioned installation.
- **Available setting tools:**  
FNA S-SBO to slip onto the drill.  
FNA S-SDS for series installation with a drilling hammer.  
FNA S-H for the manual installation of mounting rails.

## FHY - Hollow ceiling anchor for fixings in pre-stressed hollow-core concrete slabs



- **Approved for:** Pre-stressed hollow-core concrete slabs  $\geq$  C45/55
- **Ideal for:** Pipelines, Cable trays, Ventilation systems, Sprinkler systems, Suspended ceilings, Consoles, Steel constructions, Timber constructions



- The active principle of the anchor means that the FHY can be used in cavities or in solid materials up to 5 cm from the tensioning wire. This ensures the highest flexibility and user-friendly installation.
- The embossed edge prevents the anchor sleeve from slipping in the cavity, thus allowing for trouble-free installation.
- The optimised geometry minimises setting energy and allows for use in extremely narrow spaces. This allows for user-friendly installation.
- The metric internal thread means that it is possible to use standard screws or threaded rods for the ideal adaptation to suit the intended use.

## FIS VL 410 C - For all standard applications in concrete and masonry



ETA-10/0352 Cracked and non-cracked concrete  
 ETA-15/0263 Solid and hollow masonry, aerated concrete  
 ETA-15/0539 Post-installed rebar connections  
 Several fire test reports available



- **Approved in cracked concrete:**  
FIS A / RG M (M10 - M20)
- **Approved in non-cracked concrete:**  
FIS A (MB - M30), RG M (MB - M30),  
RG MI (MB - M20)
- In service temperature: range:  $-40^{\circ}\text{C}$  up to  $+120^{\circ}\text{C}$
- Installation temperature: FIS VL:  $-5^{\circ}\text{C}$  up to  $+40^{\circ}\text{C}$
- Can be used in dry and wet concrete
- Approved for water-filled holes with 410ml coaxial cartridges
- Approved in all common building materials – even cracked concrete. Reduces the number of products you need which saves money and space for other important tools.
- Excellent load performance in all building materials allows for economical use of injection mortar and anchor rods, which saves time and cost.
- Installation temperature down to  $-5^{\circ}\text{C}$  makes it possible to continue work even at low temperatures and to finish your job on time.
- A wide range of accessories offers a choice of fixing systems best suited to the FIS VL injection mortar family. This provides a broad range of applications offering safe and economical solutions.

### Resin Accessories -



**FIXPERIENCE** software suite: engineering design software, special application modules, 3D views, live updates, free downloads at [www.fischer.co.uk](http://www.fischer.co.uk)



Phone  
01491 827 800



Fax  
01491 827 953



Web  
[www.fischer.co.uk](http://www.fischer.co.uk)



E-Mail Sales  
[sales@fischer.co.uk](mailto:sales@fischer.co.uk)



E-Mail Tech  
[technical@fischer.co.uk](mailto:technical@fischer.co.uk)



E-Mail Marketing  
[marketing-uk@fischer.co.uk](mailto:marketing-uk@fischer.co.uk)

## SXR - The specialist frame fixing with short drill hole depth



The exceptional performance of the SXR enables it to be used in both solid and hollow building materials with an anchorage depth of just 50 mm.

- The ETA assessment covers use in a range of solid and hollow building materials, and guarantees a secure fixing.
- The specially developed combination of plugs and screws ensures the very best handling. The plug has a noticeable hold, making installation more convenient.
- Anchorage depth of just 50mm in both solid and hollow building materials.
- The extensive range with diameters of 6, 8 and 10 mm provides a choice of plug for every fixing.

## SXR-L - The powerful problem solver with a long expansion sleeve



SXR-L 14 is approved for applications under compression load and is ideal for facade substructures that are mounted at a distance without wall brackets.

- The unique geometry of the plug ensures that the retaining forces are evenly distributed in the drill hole.
- When the plug is to be set below the plaster, the longer ribs prevent plug rotation during installation.
- The variable anchorage depths of 50, 70 or 90 mm offer special advantages and high loads when anchoring in aerated concrete.
- The SXR-L with effective lengths up to 290 mm provides the right plug for every application.

**DUOPOWER** - Intelligent, self-activating functions (expansion, folding, knotting) depending on the substrate for a wide range of applications.



The DUOPOWER is the first plug that adapts intelligently to the substrate. This is achieved with the perfect combination of hard and soft materials. Depending on the building material, the plug automatically activates the best fixing function (expansion, folding, knotting) for optimum loads.

- Two components for more expansion volume and considerably higher load capacity. **The combination of soft and hard materials achieves the best balance of screw-in and tightening torque.**
- Depending on the building material, the main body automatically activates the optimum fixing function (expansion, folding, knotting) for the best hold.
- Red wings expand to provide extra secure anchoring.
- Serrated anti-rotation ribs prevents rotation in the drill hole.
- A short plug length offers quicker fixing with smaller drill hole depths.
- Design features within the main body guides the screw towards a perfect fit and safe installation.
- The narrow rim prevents slipping in the drill hole and is suitable for pre-positioned and push-through installation.

Installation into solid, hollow or board building materials





## Conduit Tube



Standard 3.75mtr long also available in 3mtr

Size mm	Finish	Class	Part Ref
20mm	Galvanised	4	CON20G
25mm	Galvanised	4	CON25G
32mm	Galvanised	4	CON32G

## Conduit Boxes



Type	Size mm	Part ref
Terminal	20	BOX20TERM
Terminal	25	BOX25TERM



Type	Size mm	Part ref
Through	20	BOX20THRU
Through	25	BOX25THRU



Type	Size mm	Part ref
Angle	20	BOX20ANG
Angle	25	BOX25ANG



Type	Size mm	Part ref
Tee	20	BOX20TEE
Tee	25	BOX25TEE



Type	Size mm	Part ref
U Branch	20	BOX20U
U Branch	25	BOX25U

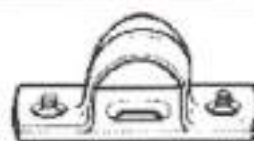


Type	Size mm	Part ref
Y Branch	20	BOX20Y
Y Branch	25	BOX25Y



Type	Size mm	Part ref
H Branch	20	BOX20H
H Branch	25	BOX25H

## Conduit Accessories



### Spacer Bar Saddles

Size	Code
20mm	20SPSADG
25mm	25SPSADG
32mm	32SPSADG
38mm	38SPSADG
50mm	50SPSADG



### Distance Saddles

Size	Code
20mm	20DSADG
25mm	25DSADG
32mm	32DSADG
38mm	38DSADG
50mm	50DSADG



### Male Brass Bush Short

Size	Code
20mm	20BUSH/S
25mm	25BUSH/S
32mm	32BUSH/S
38mm	38BUSH/S
50mm	50BUSH/S



### Male Brass Bush Long

Size	Code
20mm	20BUSH/L
25mm	25BUSH/L
32mm	32BUSH/L
38mm	38BUSH/L
50mm	50BUSH/L



### Female Brass Bush

Size	Code
20mm	20BUSH/F
25mm	25BUSH/F
32mm	32BUSH/F
38mm	38BUSH/F
50mm	50BUSH/F



### Lockring Milled ZP

Size	Code
20mm	20LRMZP
25mm	25LRMZP
32mm	32LRMZP
38mm	38LRMZP
50mm	50LRMZP



### Coupler

Size	Code
20mm	20COUP/G
25mm	25COUP/G
32mm	32COUP/G
38mm	38COUP/G
50mm	50COUP/G



### Locknut Hexagon ZP

Size	Code
20mm	20LNHZP
25mm	25LNHZP
32mm	32LNHZP
38mm	38LNHZP
50mm	50LNHZP

## Conduit Accessories



**Box Lids Galv**

Size	Code
	CONLID/G



**Hook Plate Galv**

Size	Code
	CONHP/G



**Dome Cover Galv**

Size	Code
	CONDC/G



**Male Hook Galv**

Size	Code
	CONMH/G



**Hex Plug Galv**

Size	Code
20mm	20HEXP/G
25mm	25HEXP/G



**Slotted Plug Galv**

Size	Code
20mm	20SLOTP/G
25mm	25SLOTP/G



**Flanged Coupler Galv**

Size	Code
20mm	20FLCOUP/G
25mm	25FLCOUP/G



**Adaptor metric/imperial**

Size	Code
20mm female	20MAG/G
3/4" female	34MAG/G



**Reducer Galv**

Size	Code
20-16mm	2016RED/G
25-20mm	2520RED/G
32-25mm	3225RED/G
38-25mm	3825RED/G
38-32mm	3832RED/G



**Nipples ZP**

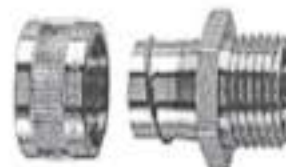
Size	Code
20mm	20NIP/ZP
25mm	25NIP/ZP
32mm	32NIP/ZP
38mm	38NIP/ZP

## Flexible Conduit



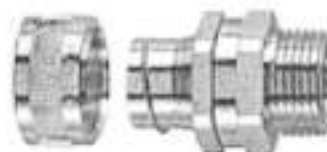
**Electro-galvanised plated steel**

Size	Length	Part Ref
20mm	10mtr	FLCON20/10
20mm	25mtr	FLCON20/25
20mm	50mtr	FLCON20/50
25mm	10mtr	FLCON25/10
25mm	25mtr	FLCON25/25
25mm	50mtr	FLCON25/50
32mm	10mtr	FLCON32/10
32mm	25mtr	FLCON32/25



**Fixed Glands**

Size	Part Ref
20mm	FLCON20/FG
25mm	FLCON25/FG
32mm	FLCON32/FG















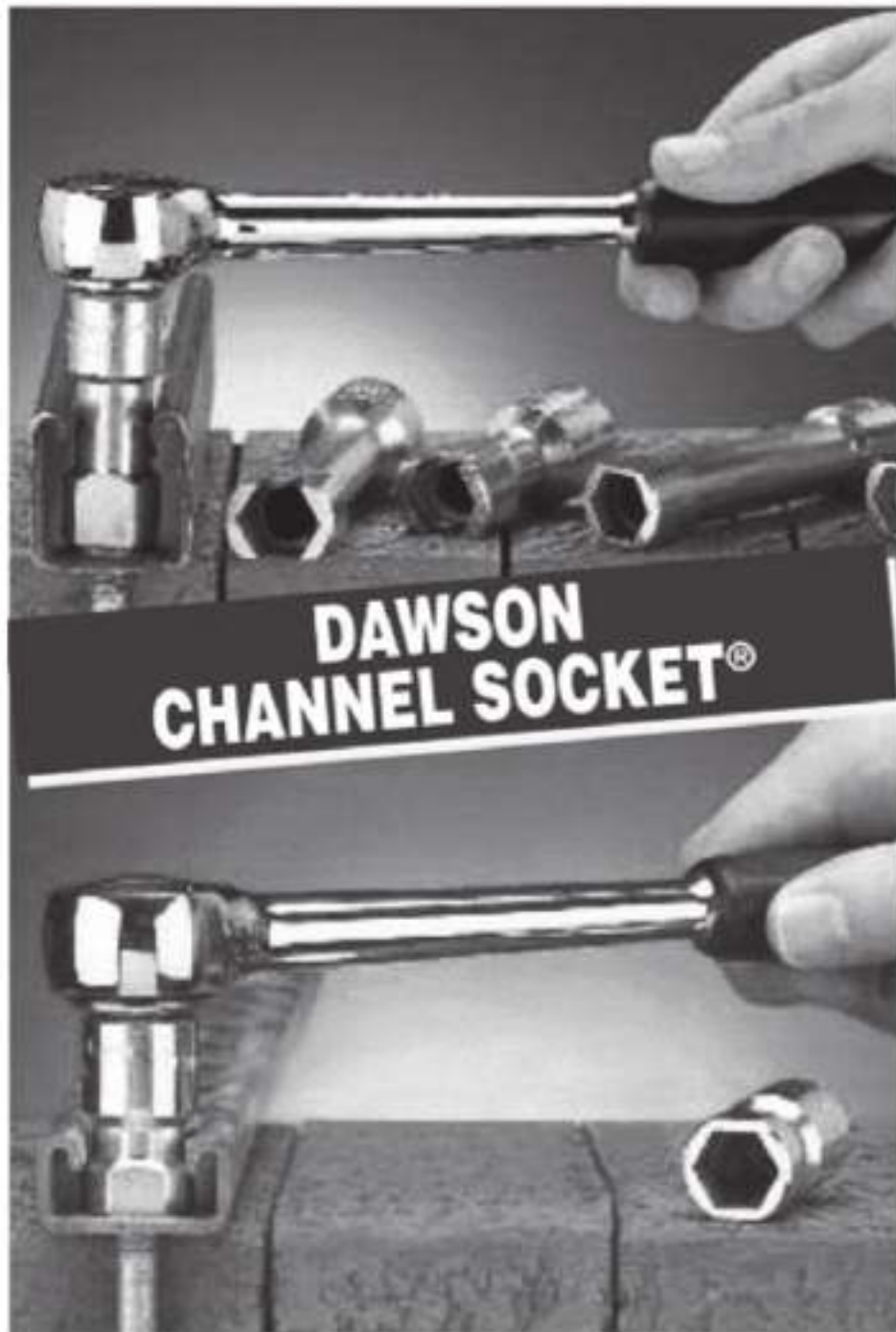
**Swivel Glands**

Size	Part Ref
20mm	FLCON20/SG
25mm	FLCON25/SG
32mm	FLCON32/SG

## Conlok® Conduit System

Demon Cato are the Inventors, Innovators and manufacturers, of this exciting new range of Quick fit conduit boxes and couplers. A Patent has been applied for, for this new labour saving product. The system meets the requirement of BS EN 61386 - 21 : 2004.

<p>Adaptor CL20GA 20mm CL25GA 25mm</p>		<p>Coupler CL20GC 20mm CL25GC 25mm</p>	
<p>End Box CL1G 20mm CL8G 25mm</p>		<p>Through Box CL2G 20mm CL9G 25mm</p>	
<p>Angle Box CL3G 20mm CL10G 25mm</p>		<p>Tee Box CL4G 20mm CL11G 25mm</p>	
<p>4 Way Box CL5G 20mm CL12G 25mm</p>		<p>U Box CL6G 20mm CL13G 25mm</p>	
<p>Y Box CL7G 20mm CL14G 25mm</p>		<p>End Box - Rear hole CL15G 25mm CL16G 20mm</p>	
<p>Bends CL20MB 20mm CL25MB 25mm</p>		<p>Tee Bar Allen key CLKEY 2mm</p>	



### Dawson Channel Socket









A unique tool which fits standard 1/2" drive ratchet handles

#### Available:








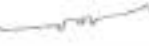
- 17AF/41 - 17mm a/f M10 - 41 x 41mm (Channel / Strut)
- 19AF/41 - 19mm a/f M12 - 41 x 41mm (Channel / Strut)
- 17AF/21 - 17mm a/f M10 - 41 x 21mm (Channel / Strut)
- 17AF/62-83 - 17mm a/f M10 - 83/62 x 41mm (Channel / Strut)
- 19AF/62-83 - 19mm a/f M12 - 83/62 x 41mm (Channel / Strut)

Patented suspension systems for the installation of electrical services. A faster, safer, more energy efficient alternative to threaded rod and channel.

Product Code	Image	Description	SWL (kg)
BL2-UK-10P		B-Lock Side Release Hangers (bag of 10)	60
RCP-2MM-100M-BL2-UK		B-Lock Wire Rope (100m reel of 2mm wire)	60
HF1-LG-1M		Standard Hanger No.1 c/w 1m Wire Rope & Loop End Fixing	10
HF1-LG-2M		Standard Hanger No.1 c/w 2m Wire Rope & Loop End Fixing	10
HF1-LG-3M		Standard Hanger No.1 c/w 3m Wire Rope & Loop End Fixing	10
HF1-LG-4M		Standard Hanger No.1 c/w 4m Wire Rope & Loop End Fixing	10
HF1-LG-5M		Standard Hanger No.1 c/w 5m Wire Rope & Loop End Fixing	10
HF2-LG-1M		Standard Hanger No.2 c/w 1m Wire Rope & Loop End Fixing	45
HF2-LG-2M		Standard Hanger No.2 c/w 2m Wire Rope & Loop End Fixing	45
HF2-LG-3M		Standard Hanger No.2 c/w 3m Wire Rope & Loop End Fixing	45
HF2-LG-4M		Standard Hanger No.2 c/w 4m Wire Rope & Loop End Fixing	45
HF2-LG-5M		Standard Hanger No.2 c/w 5m Wire Rope & Loop End Fixing	45
HF1-S6G-1M		Standard Hanger No.1 c/w 1m Wire Rope & M6 Stud End Fixing	10
HF1-S6G-2M		Standard Hanger No.1 c/w 2m Wire Rope & M6 Stud End Fixing	10
HF1-S6G-3M		Standard Hanger No.1 c/w 3m Wire Rope & M6 Stud End Fixing	10
HF1-S6G-4M		Standard Hanger No.1 c/w 4m Wire Rope & M6 Stud End Fixing	10
HF1-S6G-5M		Standard Hanger No.1 c/w 5m Wire Rope & M6 Stud End Fixing	10
HF2-S8G-1M		Standard Hanger No.2 c/w 1m Wire Rope & M8 Stud End Fixing	45
HF2-S8G-2M		Standard Hanger No.2 c/w 2m Wire Rope & M8 Stud End Fixing	45
HF2-S8G-3M		Standard Hanger No.2 c/w 3m Wire Rope & M8 Stud End Fixing	45
HF2-S8G-4M		Standard Hanger No.2 c/w 4m Wire Rope & M8 Stud End Fixing	45
HF2-S8G-5M		Standard Hanger No.2 c/w 5m Wire Rope & M8 Stud End Fixing	45

Product Code	Image	Description	SWL (kg)
AY2-HG-150MM		Y-Fit Accessory c/w 150mm Wire Rope & Snap Hook End Fixing	45
AY2-HG-300MM		Y-Fit Accessory c/w 300mm Wire Rope & Snap Hook End Fixing	45
AY2-HG-500MM		Y-Fit Accessory c/w 500mm Wire Rope & Snap Hook End Fixing	45
AY2-LG-150MM		Y-Fit Accessory c/w 150mm Wire Rope & Link Hook End Fixing	45
AY2-LG-300MM		Y-Fit Accessory c/w 300mm Wire Rope & Link Hook End Fixing	45
AY2-LG-500MM		Y-Fit Accessory c/w 500mm Wire Rope & Link Hook End Fixing	45
AY2-TG-150MM		Y-Fit Accessory c/w 150mm Wire Rope & Toggle End Fixing	45
AY2-TG-300MM		Y-Fit Accessory c/w 300mm Wire Rope & Toggle End Fixing	45
AY2-TG-500MM		Y-Fit Accessory c/w 500mm Wire Rope & Toggle End Fixing	45
FTB-250		Fast Trak Standard Bracket 250mm	180
FTB-350		Fast Trak Standard Bracket 350mm	180
FTB-450		Fast Trak Standard Bracket 450mm	180
FTB-600		Fast Trak Standard Bracket 650mm	180
FTB-750		Fast Trak Standard Bracket 750mm	180
FTB-900		Fast Trak Standard Bracket 900mm	180
FTBL-250		Fast Trak Low Profile Bracket 250mm	180
FTBL-350		Fast Trak Low Profile Bracket 350mm	180
FTBL-450		Fast Trak - Low Profile Bracket 450mm	180
FTBL-600		Fast Trak Low Profile Bracket 650mm	80
FTBL-750		Fast Trak Low Profile Bracket 750mm	64
FTBL-900		Fast Trak Low Profile Bracket 900mm	48
FTBS-180		Fast Trak Single Load Bracket 180mm	15
FTBT-200		Fast Trak Twin Load Bracket 200mm	30
FTBT-300		Fast Trak Twin Load Bracket 300mm	30
FTBT-400		Fast Trak Twin Load Bracket 400mm	30
FTT-135		Fast Trak Track 135mm	90
FTT-285		Fast Trak Track 285mm	90
FTT-535		Fast Trak Track 535mm	90
FTT-785		Fast Trak Track 785mm	90
FTT-1035		Fast Trak Track 1035mm	90

Product Code	Image	Description	SWL (kg)	
VDP-100PK		Vibration Damper (VDP)	25	
FTBC-1110		Fast Trak - Bracket Cover	-	
FTJH-2IN		Fast Trak - J-Hook Accessory	5	
FTCC-0.75IN		Fast Trak - Conduit Clamp Accessory 0.75"	27	
FTCC-1IN		Fast Trak - Conduit Clamp Accessory 1"	34	
FTCC-1.25IN		Fast Trak - Conduit Clamp Accessory 1.25"	36	
FTCC-1.5IN		Fast Trak - Conduit Clamp Accessory 1.5"	45	
FTCC-2IN		Fast Trak - Conduit Clamp Accessory 2"	57	
FTCC-2.5IN		Fast Trak - Conduit Clamp Accessory 2.5"	73	
FTCC-3IN		Fast Trak - Conduit Clamp Accessory 3"	91	
FTCC-3.5IN		Fast Trak - Conduit Clamp Accessory 3.5"	150	
FTCT-50			Fast Trak - Trunking Clamp Accessory 50mm	50
FTCT-75			Fast Trak - Trunking Clamp Accessory 75mm	50
FTCT-100	Fast Trak - Trunking Clamp Accessory 100mm		50	
FTCT-150	Fast Trak - Trunking Clamp Accessory 150mm		50	
CTC-3MM-BLK-20P			CT Clip 3mm (bag of 20)	-
CTC-3MM-BLK-100P		CT Clip 3mm (bag of 100)	-	
CTC-2MM-GRY-20P		CT Clip 2mm (bag of 20)	-	
CTC-2MM-GRY-100P		CT Clip 2mm (bag of 100)	-	
CBC-5MM-BLK-20P		CB Clip 5mm (bag of 20)	-	
CBC-5MM-BLK-100P		CB Clip 5mm (bag of 100)	-	
CBC-4MM-GRY-20P		CB Clip 4mm (bag of 20)	-	
CBC-4MM-GRY-100P		CB Clip 4mm (bag of 100)	-	

Product Code	Image	Description	SWL (kg)
MTZ2-S8G-1MSS-F		Trapeze Plus FR No.2 c/w 1m Wire rope & M8 Stud End Fixing	45
MTZ2-S8G-2MSS-F		Trapeze Plus FR No.2 c/w 2m Wire rope & M8 Stud End Fixing	45
MTZ3-S8G-1MSS-F		Trapeze Plus FR No.3 c/w 1m Wire rope & M8 Stud End Fixing	90
MTZ3-S8G-2MSS-F		Trapeze Plus FR No.3 c/w 2m Wire rope & M8 Stud End Fixing	90
HF2-LS-1MSS-F		Fire Rated Hanger No.2 c/w 1m Stainless Steel Wire Rope & Loop End Fixing	45
HF2-LS-2MSS-F		Fire Rated Hanger No.2 c/w 2m Stainless Steel Wire Rope & Loop End Fixing	45
HF2-LS-3MSS-F		Fire Rated Hanger No.2 c/w 3m Stainless Steel Wire Rope & Loop End Fixing	45
HF2-LS-4MSS-F		Fire Rated Hanger No.2 c/w 4m Stainless Steel Wire Rope & Loop End Fixing	45
HF2-LS-5MSS-F		Fire Rated Hanger No.2 c/w 5m Stainless Steel Wire Rope & Loop End Fixing	45
HF3-LS-1MSS-F		Fire Rated Hanger No.3 c/w 1m Stainless Steel Wire Rope & Loop End Fixing	90
HF3-LS-2MSS-F		Fire Rated Hanger No.3 c/w 2m Stainless Steel Wire Rope & Loop End Fixing	90
HF3-LS-3MSS-F		Fire Rated Hanger No.3 c/w 3m Stainless Steel Wire Rope & Loop End Fixing	90
HF3-LS-4MSS-F		Fire Rated Hanger No.3 c/w 4m Stainless Steel Wire Rope & Loop End Fixing	90
HF3-LS-5MSS-F		Fire Rated Hanger No.3 c/w 5m Stainless Steel Wire Rope & Loop End Fixing	90
HF2-S8G-1MSS-F		Fire Rated Hanger No.2 c/w 1m Stainless Steel Wire Rope & Loop End Fixing	45
HF2-S8G-2MSS-F		Fire Rated Hanger No.2 c/w 2m Stainless Steel Wire Rope & M8 Stud End Fixing	45
HF2-S8G-3MSS-F		Fire Rated Hanger No.2 c/w 3m Stainless Steel Wire Rope & M8 Stud End Fixing	45
HF2-S8G-4MSS-F		Fire Rated Hanger No.2 c/w 4m Stainless Steel Wire Rope & M8 Stud End Fixing	45
HF2-S8G-5MSS-F		Fire Rated Hanger No.2 c/w 5m Stainless Steel Wire rope & M8 Stud End Fixing	45
HF3-S8G-1MSS-F		Fire Rated Hanger No.3 c/w 1m Stainless Steel Wire Rope & M8 Stud End Fixing	90
HF3-S8G-2MSS-F		Fire Rated Hanger No.3 c/w 2m Stainless Steel Wire Rope & M8 Stud End Fixing	90
HF3-S8G-3MSS-F		Fire Rated Hanger No.3 c/w 3m Stainless Steel Wire Rope & M8 Stud End Fixing	90
HF3-S8G-4MSS-F		Fire Rated Hanger No.3 c/w 4m Stainless Steel Wire Rope & M8 Stud End Fixing	90
HF3-S8G-5MSS-F		Fire Rated Hanger No.3 c/w 5m Stainless Steel Wire Rope & M8 Stud End Fixing	90
FRC-S-100-P-SS-F		Fire Rated Clip (Single) 145mm long	0.24
FRC-D-100-P-SS-F		Fire Rated Clip (Double) 260mm long	2 x 0.24



## walraven / Britclips

BIS - Better Installation Systems

### BIS 2S Clamps with Lining (M8/M10)



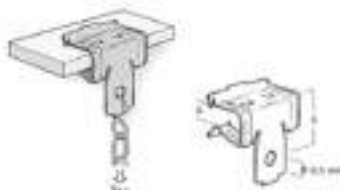
Part No.	D	D	DN	G	B	H	h	b x s	Fa,z
333 3 016	12 - 14	1/4	8	M8	35	34	21	20 x 1,25	220
333 3 019	15 - 19	1/4	10	M8	58	37	22	20 x 1,25	220
333 3 023	20 - 23	1/4	15	M8	63	42	25	20 x 1,25	220
333 3 030	25 - 28	1/4	20	M8	68	47	27	20 x 1,25	220
333 3 038	32 - 35	1	25	M8	75	54	31	20 x 1,25	220
333 3 043	38 - 43	1 1/4	32	M8	83	62	34	20 x 1,25	220
333 3 049	44 - 49	1 1/4	40	M8	92	71	39	20 x 1,25	220
334 3 019	15 - 19	1/4	10	M8/M10	58	44	29	20 x 1,25	220
334 3 023	20 - 23	1/4	15	M8/M10	63	49	32	20 x 1,25	220
334 3 030	25 - 28	1/4	20	M8/M10	68	54	34	20 x 1,25	220
334 3 038	32 - 35	1	25	M8/M10	75	61	38	20 x 1,25	220
334 3 043	38 - 43	1 1/4	32	M8/M10	83	69	41	20 x 1,25	220
334 3 049	44 - 49	1 1/4	40	M8/M10	92	78	45	20 x 1,25	220
334 3 056	50 - 56	-	-	M8/M10	97	84	49	20 x 1,25	220
334 3 063	57 - 63	2	50	M8/M10	102	88	51	20 x 1,50	220
334 3 064	63 - 67	-	-	M8/M10	109	94	54	20 x 1,50	220
334 3 071	70 - 73	-	-	M8/M10	117	104	59	20 x 1,50	220
334 3 078	74 - 80	2 1/4	65	M8/M10	122	108	61	20 x 1,50	220
334 3 086	81 - 86	-	-	M8/M10	129	116	65	20 x 2,00	430
334 3 092	83 - 91	3	80	M8/M10	136	122	68	20 x 2,00	430
334 3 108	101 - 106	-	-	M8/M10	152	135	74	23 x 2,00	750
334 3 116	108 - 114	4	100	M8/M10	157	144	79	23 x 2,00	750
334 3 130	125 - 132	-	-	M8/M10	175	152	88	23 x 2,00	750
334 3 135	131 - 135	-	-	M8/M10	178	155	90	23 x 2,00	750
334 3 141	136 - 139	5	125	M8/M10	182	160	91	23 x 2,00	750
334 3 168	159 - 168	6	150	M8/M10	232	202	107	25 x 3,00	1.22
334 3 200	193 - 200	-	-	M8/M10	268	238	125	25 x 3,00	1.22
334 3 212	210 - 212	-	-	M8/M10	275	243	128	25 x 3,00	1.22
334 3 220	216 - 220	8	200	M8/M10	283	251	132	25 x 3,00	1.22

### BIS Bifix (M8/M10)



Part No.	D	D	DN	G	B	H	h	b x s	Fa,z
300 3 022	18 - 22	1/4	15	M8/M10	55	40	28	20 x 1,25	390
300 3 030	26 - 30	1/4	20	M8/M10	63	48	32	20 x 1,25	390
300 3 034	32 - 34	1	25	M8/M10	68	53	34	20 x 1,25	390
300 3 042	38 - 42	1 1/4	32	M8/M10	75	60	38	20 x 1,25	390
300 3 051	47 - 51	1 1/4	40	M8/M10	83	68	41	20 x 1,25	390
300 3 060	54 - 60	-	-	M8/M10	92	77	46	20 x 1,25	390
300 3 064	58 - 62	2	50	M8/M10	99	82	49	20 x 2,00	1.03
300 3 068	62 - 68	-	-	M8/M10	102	87	51	20 x 2,00	1.03
300 3 070	67 - 70	-	-	M8/M10	107	90	53	20 x 2,00	1.03
300 3 074	73 - 77	2 1/4	65	M8/M10	114	96	56	23 x 1,50	1.03
300 3 076	72 - 76	2 1/4	65	M8/M10	109	94	55	20 x 2,00	1.03
300 3 085	79 - 85	-	-	M8/M10	117	102	59	23 x 1,50	1.03
300 3 089	85 - 89	3	80	M8/M10	123	108	61	23 x 1,50	1.03
300 3 094	90 - 94	-	-	M8/M10	129	110	64	23 x 1,50	1.03
300 3 105	100 - 105	-	-	M8/M10	144	128	69	23 x 1,50	1.03
300 3 111	108 - 111	-	-	M8/M10	144	128	72	23 x 1,50	1.03
300 3 118	110 - 118	4	100	M8/M10	153	138	77	23 x 2,00	1.45
300 3 125	119 - 125	-	-	M8/M10	160	144	80	23 x 2,00	1.45
300 3 127	122 - 127	-	-	M8/M10	162	146	81	23 x 2,00	1.45
300 3 134	129 - 134	-	-	M8/M10	169	153	84	23 x 2,00	1.45
300 3 144	139 - 144	5	125	M8/M10	183	167	89	23 x 2,00	1.45
300 3 151	146 - 151	-	-	M8/M10	187	171	90	23 x 2,00	1.45
300 3 155	150 - 155	-	-	M8/M10	191	175	95	23 x 2,00	1.45
300 3 162	157 - 162	-	-	M8/M10	196	180	98	23 x 2,00	1.45
300 3 169	164 - 169	6	150	M8/M10	203	187	101	23 x 2,00	1.45
300 3 180	172 - 180	-	-	M8/M10	233	200	108	25 x 3,00	4
300 3 190	180 - 190	-	-	M8/M10	246	213	114	25 x 3,00	4
300 3 200	190 - 200	-	-	M8/M10	256	223	119	25 x 3,00	4

### Britclips Bleam Clips



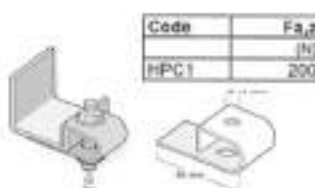
Code	A	h	Fa,z
	(mm)	(mm)	(N)
BC125	2-4	21	720
BC125	2-4	21	720
BC250	5-9	23	900
BC250	5-9	23	900
BC500	10-16	29	900
BC500	10-16	29	900
BC750	17-20	34	900
BC750	17-20	34	900
BC1000	23-30	40	900

### Britclips T Bar/Twist On (AC)



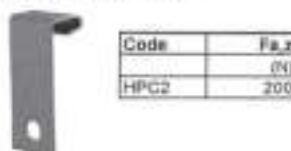
Code	G	B	Fa,z
		(mm)	(N)
AC15	M6 x 16 mm	15	220
AC25	M6 x 16 mm	25	220
AC25	M6 x 16 mm	25	220
AC25-2	M6 x 51 mm	25	220

### Britclips Purlin Clamp



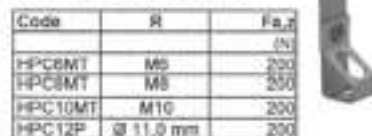
Code	Fa,z
	(N)
HPC1	200

### Britclips Purlin Clip



Code	Fa,z
	(N)
HPC2	200

### Britclips Purlin Clip Threaded Rod Hangers



Code	R	Fa,z
		(N)
HPC6M1	M6	200
HPC8M1	M8	200
HPC10M1	M10	200
HPC12P	Ø 11,0 mm	200

### Britclips Vertical Flange Clips



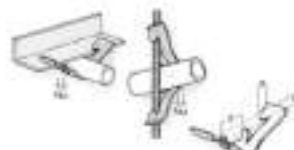
Code	A	H	Fa,z
	(mm)	(mm)	(N)
VF1	1 - 5	39	720
VF1	1 - 5	39	720
VF2	5 - 7	40	720

### Britclips Cable Run Clips Flange 4 - 12mm



Code	D	A
	(mm)	(mm)
CR25	4,5 - 5,5	2-4
CR26	5,0 - 7,0	2-4
CR27	7,0 - 9,0	2-4
CR210	10,0 - 11,0	2-4
CR212	12,0 - 14,0	2-4
CR215	15,0 - 18,0	2-4
CR219	18,0 - 24,0	2-4
CR225	25,0 - 30,0	2-4
CR45	4,5 - 5,5	4-7
CR46	5,0 - 7,0	4-7
CR47	7,0 - 9,0	4-7
CR410	10,0 - 11,0	4-7
CR412	12,0 - 14,0	4-7
CR415	15,0 - 18,0	4-7
CR419	18,0 - 24,0	4-7
CR425	25,0 - 30,0	4-7
CR85	4,5 - 5,5	8-12
CR86	5,0 - 7,0	8-12
CR88	5,0 - 7,0	8-12
CR87	7,0 - 9,0	8-12
CR87	7,0 - 9,0	8-12
CR810	10,0 - 11,0	8-12
CR810	10,0 - 11,0	8-12
CR812	12,0 - 14,0	8-12
CR812	12,0 - 14,0	8-12
CR815	15,0 - 18,0	8-12
CR815	15,0 - 18,0	8-12
CR819	18,0 - 24,0	8-12
CR819	18,0 - 24,0	8-12
CR825	25,0 - 30,0	8-12
CR825	25,0 - 30,0	8-12
CRA		12 - 20
CRA fits	CR25 - CR225	

### Britclips Support Clips



Code	D	A	R	Fa,z
	(mm)	(mm)		(N)
SC500	16	4 - 7	M6	450
SC750	16 - 20	6 - 9	M6	450
SC750	16 - 20	6 - 9	M6	450
SC1000	25 / 16 - 20	6 - 9	M6	450
SC1000	25 / 16 - 20	6 - 9	M6	450
SC1250	32 / 25 - 32	6 - 9	M6	450

### Britclips Purlin Hangers



Code	H	Fa,z
	(mm)	(N)
ZP1	48	450
ZP2	41	450

### Britclips Purlin Threaded Rod Hangers



Code	R	Fa,z
		(N)
ZP6MT	M6	450
ZP8MT	M8	450
ZP10MT	M10	450
ZP12P	Ø 11 mm	450

## lindapter®



**Multiwedge 2 - MW2**

Size	Code
M06	MW06
M08	MW08
M10	MW10



**Flange Clamp - FL**

Size	Code
M06	FL16D
M08	FL18D
M10	FL210D
M12	FL312D



**Alphawedge - AW**

Size	Code
M06	AW06
M08	AW08
M10	AW10



**Swivel Flange Clamp - FLS**

Size	Code
M08	FLS08
M10	FLS10



**Toggle Clamp - TC**

Size	Code
M08	TC08
M10	TC10



**Swivel Attachment - SW**

Size	Code
M10	SW10



**V Nut - VN**

Size	Code
M06	VN06
M08	VN08
M10	VN10



**Purlin Clip**

Size	Code
M10	Z10



**TR60 Wedge**

Size	Code
M06	TR6006
M08	TR6008
M10	TR6010



**Hemispherical Cup & Washer**

Size	Code
M10	HC10
M12	HC12
M16	HC16
M20	HC20
M24	HC24
M30	HC30



The Uni-Foot H-Frame is an innovative system to support small and large ducting, pipe work or electrical containment, utilising the newly launched Uni-Foot.

The competitively priced H-Frame comes in the form of a kit comprising of:



- 2 x Uni-Foot
- 2 x Anti-vibration Pads
- 2 x Angled Brackets
- 4 x M10 Bolts
- 4 x M10 Channel Nuts

The FLEXI Foot with strut comes in four sizes 250mm, 400mm, 600mm and 1000mm. They are manufactured from heavy duty recycled rubber and come complete with 21mm x 41mm galvanised steel strut adhered to the rubber with industrial adhesive. The rubber is strong and durable with drain slots moulded into the underside to allow standing water to flow under the foot.



FF-250-S



FLEXI Foot with 250mm strut

FF-400-S



FLEXI Foot with 400mm Strut

FF-600-S



FLEXI Foot with 600mm strut

FF-1000-S



FLEXI Foot with 1000mm strut

## Fixings



**Threaded Rod**

Size	Length	Code
M06	3MTR	TR06
M08	3MTR	TR08
M10	3MTR	TR10
M12	3MTR	TR12

\* CUT LENGTHS AVAILABLE



**Threaded Rod Coupler**

Size	Code
M06	RC06
M08	RC08
M10	RC10
M12	RC12



**Threaded Rod End Caps**

Size	Code
M06	TR06/EC
M08	TR08/EC
M10	TR10/EC
M12	TR12/EC



**Hex Head Set Bolts**

Size	Length	Code
M06	20mm	N06X25HS
M06	25mm	N06X25HS
M06	40mm	N06X40HS
M06	50mm	N06X50HS
M08	20mm	N08X20HS
M08	25mm	N08X25HS
M08	40mm	N08X40HS
M08	50mm	N08X50HS
M10	20mm	N10X20HS
M10	25mm	N10X25HS
M10	40mm	N10X40HS
M10	50mm	N10X50HS
M12	20mm	N12X20HS
M12	25mm	N12X25HS
M12	40mm	N12X40HS
M12	50mm	N12X50HS



**Flat Washer**

Size	Code
M06	M06FW
M08	M08FW
M10	M10FW
M12	M12FW



**Penny Washer**

Size	Dia.	Code
M06	25	PW06X25
M08	25	PW08X25
M10	25	PW10X25
M12	25	PW10X25



**Shakeproof Washer**

Size	Code
M06	M06SHW
M08	M08SHW
M10	M10SHW
M12	M12SHW



**Spring washer**

Size	Code
M06	M06SPW
M08	M08SPW
M10	M10SPW
M12	M12SPW



**Wedge Nuts**

Size	Code
M06	WN06
M08	WN08
M10	WN10
M12	WN12



**Hex Nuts**

Size	Code
M06	M06HN
M08	M08HN
M10	M10HN
M12	M12HN



**Roofing Nuts & Bolts**

Size	Length	Code
M06	12mm	M6X12RB
M06	16mm	M6X16RB
M06	20mm	M6X20RB
M06	25mm	M6X25RB



NATIONAL CABLE MANAGEMENT DISTRIBUTORS LTD

T: 0203 269 2072 | [www.ncmdistributors.com](http://www.ncmdistributors.com)

---



NATIONAL CABLE MANAGEMENT DISTRIBUTORS LTD

T: 0203 269 2072 | [www.ncmdistributors.com](http://www.ncmdistributors.com)

---



NATIONAL CABLE MANAGEMENT DISTRIBUTORS LTD

T: 0203 269 2072 | [www.ncmdistributors.com](http://www.ncmdistributors.com)

---



NATIONAL CABLE MANAGEMENT DISTRIBUTORS LTD

T: 0203 269 2072 | [www.ncmdistributors.com](http://www.ncmdistributors.com)

---





NATIONAL CABLE MANAGEMENT DISTRIBUTORS LTD

T: 0203 269 2072 | [www.ncmdistributors.com](http://www.ncmdistributors.com)

---



NATIONAL CABLE MANAGEMENT DISTRIBUTORS LTD

T: 0203 269 2072 | [www.ncmdistributors.com](http://www.ncmdistributors.com)

---